

(19) World Intellectual Property Organization
International Bureau



(43) International Publication Date
16 November 2006 (16.11.2006)

PCT

(10) International Publication Number
WO 2006/120585 A3

- (51) International Patent Classification:
G06T 5/00 (2006.01) H04N 5/205 (2006.01)
- (21) International Application Number:
PCT/IB2006/050641
- (22) International Filing Date: 1 March 2006 (01.03.2006)
- (25) Filing Language: English
- (26) Publication Language: English
- (30) Priority Data:
05101656.6 3 March 2005 (03.03.2005) EP
05106507.6 15 July 2005 (15.07.2005) EP
- (71) Applicant (for all designated States except US): KONINKLIJKE PHILIPS ELECTRONICS N.V. [NL/NL]; Groenewoudseweg 1, NL-5621 BA Eindhoven (NL).
- (72) Inventor; and
- (75) Inventor/Applicant (for US only): VAN DER HEIJDEN, Henricus, W., P. [NL/NL]; C/o Prof. Holstlaan 6, NL-5656 AA Eindhoven (NL).
- (74) Agents: GROENENDAAL, Antonius, W., M. et al.; Prof. Holstlaan 6, NL-5656 AA Eindhoven (NL).
- (81) Designated States (unless otherwise indicated, for every kind of national protection available): AE, AG, AL, AM,

AT, AU, AZ, BA, BB, BG, BR, BW, BY, BZ, CA, CH, CN, CO, CR, CU, CZ, DE, DK, DM, DZ, EC, EE, EG, ES, FI, GB, GD, GE, GH, GM, HR, HU, ID, IL, IN, IS, JP, KE, KG, KM, KN, KP, KR, KZ, LC, LK, LR, LS, LT, LU, LV, LY, MA, MD, MG, MK, MN, MW, MX, MZ, NA, NG, NI, NO, NZ, OM, PG, PH, PL, PT, RO, RU, SC, SD, SE, SG, SK, SL, SM, SY, TJ, TM, TN, TR, TT, TZ, UA, UG, US, UZ, VC, VN, YU, ZA, ZM, ZW.

(84) Designated States (unless otherwise indicated, for every kind of regional protection available): ARIPO (BW, GH, GM, KE, LS, MW, MZ, NA, SD, SL, SZ, TZ, UG, ZM, ZW), Eurasian (AM, AZ, BY, KG, KZ, MD, RU, TJ, TM), European (AT, BE, BG, CH, CY, CZ, DE, DK, EE, ES, FI, FR, GB, GR, HU, IE, IS, IT, LT, LU, LV, MC, NL, PL, PT, RO, SE, SI, SK, TR), OAPI (BF, BJ, CF, CG, CI, CM, GA, GN, GQ, GW, ML, MR, NE, SN, TD, TG).

Declaration under Rule 4.17:

— as to applicant's entitlement to apply for and be granted a patent (Rule 4.17(ii))

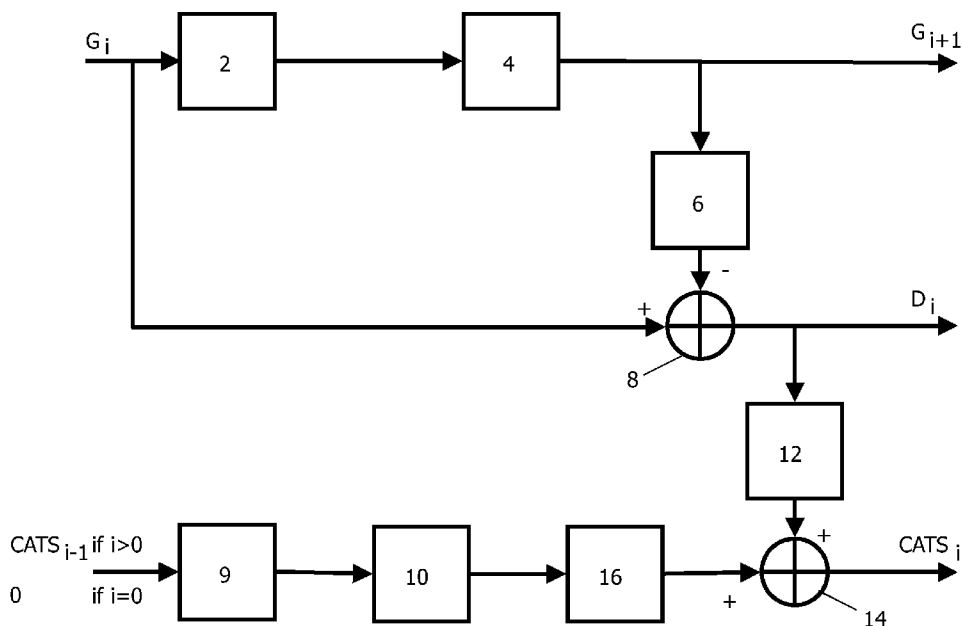
Published:

— with international search report

(88) Date of publication of the international search report:
5 April 2007

[Continued on next page]

(54) Title: IMAGE ENHANCEMENT



(57) Abstract: The invention relates to a method for image enhancement. Overshoots of image boosting in areas with edges can be prevented by splitting an image into at least three sub-images, wherein each of the sub-images represents a corresponding spatial frequency range of the image, calculating a pixel detail signal for at least one of the sub-images, depending on at least a pixel detail signal of another frequency range, calculating a pixel change value for pixels within the sub-images depending on the corresponding pixel detail signal, calculating changed sub-images by changing pixel values within the sub-images depending on the corresponding pixel change value, and combining the changed sub-images into an output image.

WO 2006/120585 A3



For two-letter codes and other abbreviations, refer to the "Guidance Notes on Codes and Abbreviations" appearing at the beginning of each regular issue of the PCT Gazette.

INTERNATIONAL SEARCH REPORT

International application No

PCT/IB2006/050641

A. CLASSIFICATION OF SUBJECT MATTER

INV. G06T5/00
ADD. H04N5/205

According to International Patent Classification (IPC) or to both national classification and IPC

B. FIELDS SEARCHED

Minimum documentation searched (classification system followed by classification symbols)

G06T H04N

Documentation searched other than minimum documentation to the extent that such documents are included in the fields searched

Electronic data base consulted during the international search (name of data base and, where practical, search terms used)

EPO-Internal, INSPEC

C. DOCUMENTS CONSIDERED TO BE RELEVANT

Category*	Citation of document, with indication, where appropriate, of the relevant passages	Relevant to claim No.
X	<p>STAHL MARTIN ET AL: "Digital radiography enhancement by nonlinear multiscale processing" MEDICAL PHYSICS, AIP, MELVILLE, NY, US, vol. 27, no. 1, January 2000 (2000-01), pages 56-65, XP012010959 ISSN: 0094-2405 abstract p.57, last paragraph sections III-A, III-B figure 3</p> <p style="text-align: center;">----- -/--</p>	<p>1,2,6,7, 11,12, 14-21</p>



Further documents are listed in the continuation of Box C.



See patent family annex.

* Special categories of cited documents :

A document defining the general state of the art which is not considered to be of particular relevance

E earlier document but published on or after the international filing date

L document which may throw doubts on priority claim(s) or which is cited to establish the publication date of another citation or other special reason (as specified)

O document referring to an oral disclosure, use, exhibition or other means

P document published prior to the international filing date but later than the priority date claimed

T later document published after the international filing date or priority date and not in conflict with the application but cited to understand the principle or theory underlying the invention

X document of particular relevance; the claimed invention cannot be considered novel or cannot be considered to involve an inventive step when the document is taken alone

Y document of particular relevance; the claimed invention cannot be considered to involve an inventive step when the document is combined with one or more other such documents, such combination being obvious to a person skilled in the art.

& document member of the same patent family

Date of the actual completion of the international search

5 January 2007

Date of mailing of the international search report

16/01/2007

Name and mailing address of the ISA/

European Patent Office, P.B. 5818 Patentlaan 2
NL - 2280 HV Rijswijk
Tel. (+31-70) 340-2040, Tx. 31 651 epo nl,
Fax: (+31-70) 340-3016

Authorized officer

Eveno, Nicolas

INTERNATIONAL SEARCH REPORT

International application No

PCT/IB2006/050641

C(Continuation). DOCUMENTS CONSIDERED TO BE RELEVANT

Category*	Citation of document, with indication, where appropriate, of the relevant passages	Relevant to claim No.
X	<p>JIAN LU ET AL: "Contrast enhancement via multiscale gradient transformation" PROCEEDINGS OF THE INTERNATIONAL CONFERENCE ON IMAGE PROCESSING (ICIP) AUSTIN, NOV. 13 - 16, 1994, LOS ALAMITOS, IEEE COMP. SOC. PRESS, US, vol. VOL. 3 CONF. 1, 13 November 1994 (1994-11-13), pages 482-486, XP010146217 ISBN: 0-8186-6952-7 abstract section 2, paragraphs 1,2,5 section 3.1</p>	<p>1,2,11, 15,16, 19-21</p>
X	<p>US 6 252 931 B1 (AACH TIL [DE] ET AL) 26 June 2001 (2001-06-26)</p> <p>abstract column 7, line 41 - line 62 column 8, line 33 - line 59 figures 2,3,5A,5B</p>	<p>1,2, 6-12, 14-21</p>
X	<p>EP 0 574 969 A2 (AGFA GEVAERT NV [BE] AGFA GEVAERT NV [US] AGFA GEVAERT [BE]) 22 December 1993 (1993-12-22)</p> <p>abstract figures 4a,4b,5 page 7, line 17 - line 35 page 8, line 1 - line 22</p>	<p>1,2,8, 11,12, 14-21</p>
A	<p>US 5 461 655 A (VUYLSTEKE ET AL) 24 October 1995 (1995-10-24)</p> <p>abstract figures 4a,4b,5 column 3, line 1 - line 21 column 7, line 57 - column 8, line 3 column 8, line 63 - line 67 column 9, line 42 - line 58</p>	<p>1-21</p>
A	<p>MARTENS J: "Adaptive contrast enhancement through residue-image processing" SIGNAL PROCESSING, ELSEVIER SCIENCE PUBLISHERS B.V. AMSTERDAM, NL, vol. 44, no. 1, June 1995 (1995-06), pages 1-18, XP004062083 ISSN: 0165-1684 abstract section 2 paragraphs 1-3 p4 right-hand column figure 1 section 3 paragraph 1 section 4</p>	<p>1-21</p>

INTERNATIONAL SEARCH REPORT

International application No
PCT/IB2006/050641

Patent document cited in search report		Publication date		Patent family member(s)	Publication date
US 6252931	B1	26-06-2001	DE	19849090 A1	27-04-2000
			EP	0996090 A2	26-04-2000
			JP	2000132674 A	12-05-2000

EP 0574969	A2	22-12-1993	NONE		

US 5461655	A	24-10-1995	DE	69331719 D1	25-04-2002
			DE	69331719 T2	24-10-2002
			JP	3193806 B2	30-07-2001
			JP	6096200 A	08-04-1994
