

(19) World Intellectual Property
Organization
International Bureau



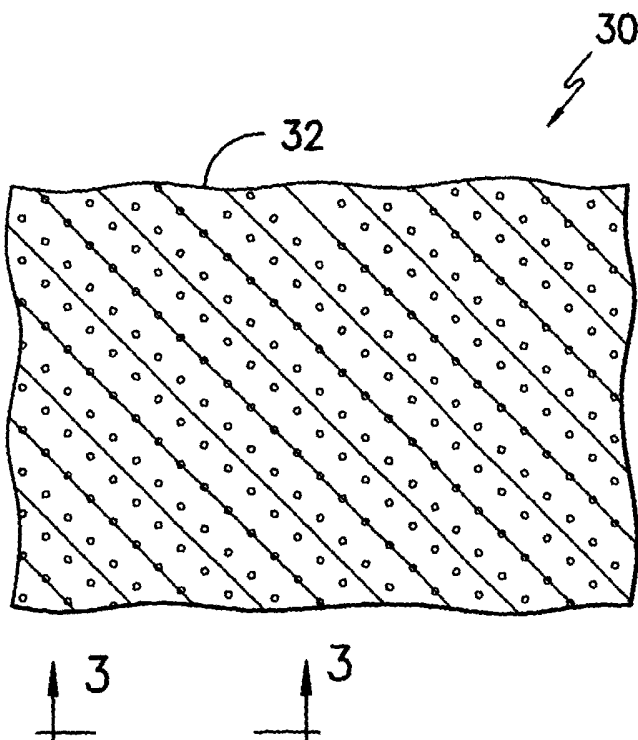
(43) International Publication Date
12 February 2004 (12.02.2004)

PCT

(10) International Publication Number
WO 2004/012544 A3

- (51) International Patent Classification⁷: G06F 15/173
- (21) International Application Number: PCT/US2003/024249
- (22) International Filing Date: 1 August 2003 (01.08.2003)
- (25) Filing Language: English
- (26) Publication Language: English
- (30) Priority Data:
60/401,159 5 August 2002 (05.08.2002) US
60/415,392 2 October 2002 (02.10.2002) US
10/631,127 31 July 2003 (31.07.2003) US
- (71) Applicant: TIETEX INTERNATIONAL, LTD.
[US/US]; 3010 North Blackstock Road, Spartanburg, SC 29301 (US).
- (72) Inventor: WILDEMAN, Martin; 215 Long Leaf Road, Spartanburg, SC 29301 (US).
- (74) Agent: ROBERTSON, James, M.; Robertson & Mul-linax, LLC, P.O. Box 26029, Greenville, SC 29616-1029 (US).
- (81) Designated States (*national*): AE, AG, AL, AM, AT, AU, AZ, BA, BB, BG, BR, BY, BZ, CA, CH, CN, CO, CR, CU, CZ, DE, DK, DM, DZ, EC, EE, ES, FI, GB, GD, GE, GH, GM, HR, HU, ID, IL, IN, IS, JP, KE, KG, KP, KR, KZ, LC, LK, LR, LS, LT, LU, LV, MA, MD, MG, MK, MN, MW, MX, MZ, NI, NO, NZ, OM, PG, PH, PL, PT, RO, RU, SC, SD, SE, SG, SK, SL, SY, TJ, TM, TN, TR, TT, TZ, UA, UG, UZ, VC, VN, YU, ZA, ZM, ZW.
- (84) Designated States (*regional*): ARIPO patent (GH, GM, KE, LS, MW, MZ, SD, SL, SZ, TZ, UG, ZM, ZW), Eurasian patent (AM, AZ, BY, KG, KZ, MD, RU, TJ, TM), European patent (AT, BE, BG, CH, CY, CZ, DE, DK, EE, ES, FI, FR, GB, GR, HU, IE, IT, LU, MC, NL, PT, RO, SE, SI, SK, TR), OAPI patent (BF, BJ, CF, CG, CI, CM, GA, GN, GQ, GW, ML, MR, NE, SN, TD, TG).
- Published:
— with international search report
- (88) Date of publication of the international search report:
10 June 2004
- For two-letter codes and other abbreviations, refer to the "Guidance Notes on Codes and Abbreviations" appearing at the beginning of each regular issue of the PCT Gazette.

(54) Title: SHOE MANUFACTURING AND RECYCLING SYSTEM



(57) Abstract: According to the present invention, a customer (200) transmits a request for service to a service comparison/acquisition provider (SCAP) (210). The request defines parameters related to the service, such as the type of device to be used, the address of the device to be communicated with, the duration of communication, an access method and a method of payment. Based in part on the parameters specified by the customer (200) in a service request, the SCAP (210) determines a price for which the SCAP (210) can provide the customer (200) with the requested service. The SCAP (210) then transmits the price to the customer (200). If the customer (200) agrees to the purchase, then the SCAP (210) provides the customer (200) with the requested service. The SCAP (210) is capable of identifying the network and elements necessary to enable users to download requested services. Further, the SCAP (210) is capable of inquiring and reserving capacity for optimizing the download of requested services.

WO 2004/012544 A3

INTERNATIONAL SEARCH REPORT

International application No.

PCT/US02/24249

A. CLASSIFICATION OF SUBJECT MATTER

IPC(7) : G06F 15/173
 US CL : 707/10

According to International Patent Classification (IPC) or to both national classification and IPC

B. FIELDS SEARCHED

Minimum documentation searched (classification system followed by classification symbols)
 U.S. : 705/26, 705/27

Documentation searched other than minimum documentation to the extent that such documents are included in the fields searched

Electronic data base consulted during the international search (name of data base and, where practicable, search terms used)

C. DOCUMENTS CONSIDERED TO BE RELEVANT

Category *	Citation of document, with indication, where appropriate, of the relevant passages	Relevant to claim No.
A	US 6,052,449A (CHAVEZ, JR.) 18 April 2000 (18.03.2000),	1-64

Further documents are listed in the continuation of Box C.

See patent family annex.

* Special categories of cited documents:

"A" document defining the general state of the art which is not considered to be of particular relevance
 "E" earlier application or patent published on or after the international filing date
 "L" document which may throw doubts on priority claim(s) or which is cited to establish the publication date of another citation or other special reason (as specified)
 "O" document referring to an oral disclosure, use, exhibition or other means
 "P" document published prior to the international filing date but later than the priority date claimed

"T" later document published after the international filing date or priority date and not in conflict with the application but cited to understand the principle or theory underlying the invention
 "X" document of particular relevance; the claimed invention cannot be considered novel or cannot be considered to involve an inventive step when the document is taken alone
 "Y" document of particular relevance; the claimed invention cannot be considered to involve an inventive step when the document is combined with one or more other such documents, such combination being obvious to a person skilled in the art
 "&" document member of the same patent family

Date of the actual completion of the international search

01 October 2002 (01.10.2002)

Date of mailing of the international search report

05 FEB 2004

Name and mailing address of the ISA/US

Commissioner of Patents and Trademarks
 Box PCT
 Washington, D.C. 20231

Authorized officer

James Zurita

Facsimile No. (703)305-3230

Telephone No. (703) 305-9000