



(51) International Patent Classification:

A61B 17/56 (2006.01) A61M 29/00 (2006.01)  
A61B 17/92 (2006.01) A61B 17/70 (2006.01)

(21) International Application Number:

PCT/US2012/034694

(22) International Filing Date:

23 April 2012 (23.04.2012)

(25) Filing Language:

English

(26) Publication Language:

English

(30) Priority Data:

13/109,028 17 May 2011 (17.05.2011) US

(71) Applicant (for all designated States except US):

WARSAW ORTHOPEDIC, INC. [US/US]; 2500 Silveus Crossing, Warsaw, Indiana 46581 (US).

(72) Inventors; and

(75) Inventors/Applicants (for US only): MIRE, David [US/US]; 10184 Woodland Hills Drive, Cordova, Tennessee

38018 (US). SEBASTIAN, Kelli, N. [US/US]; 12255 Longleaf Oak Trail, Arlington, Tennessee 38002 (US). EL-LIOT, John, A. [US/US]; 9964 Monarch Drive, Cordova, Tennessee 38016 (US).

(74) Agents: KOLBINGER, Karl et al.; Viering, Jentschura & Partner, Grillparzerstr. 14, D-81675 Munich (DE).

(81) Designated States (unless otherwise indicated, for every kind of national protection available): AE, AG, AL, AM, AO, AT, AU, AZ, BA, BB, BG, BH, BR, BW, BY, BZ, CA, CH, CL, CN, CO, CR, CU, CZ, DE, DK, DM, DO, DZ, EC, EE, EG, ES, FI, GB, GD, GE, GH, GM, GT, HN, HR, HU, ID, IL, IN, IS, JP, KE, KG, KM, KN, KP, KR, KZ, LA, LC, LK, LR, LS, LT, LU, LY, MA, MD, ME, MG, MK, MN, MW, MX, MY, MZ, NA, NG, NI, NO, NZ, OM, PE, PG, PH, PL, PT, QA, RO, RS, RU, RW, SC, SD, SE, SG, SK, SL, SM, ST, SV, SY, TH, TJ, TM, TN, TR, TT, TZ, UA, UG, US, UZ, VC, VN, ZA, ZM, ZW.

(84) Designated States (unless otherwise indicated, for every kind of regional protection available): ARIPO (BW, GH,

[Continued on next page]

(54) Title: DILATION INSTRUMENTS AND METHODS

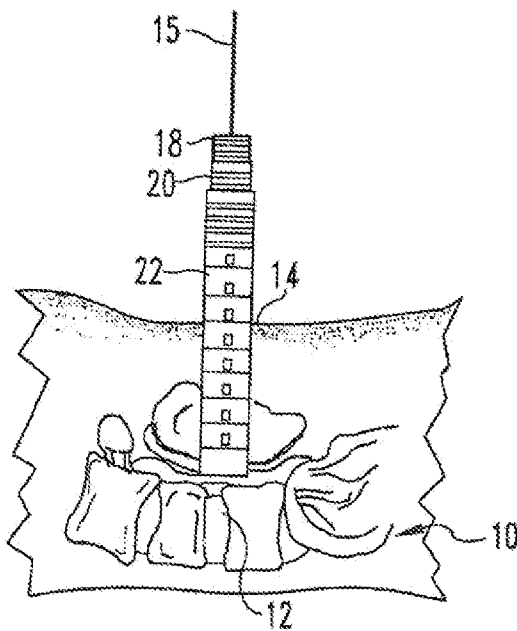
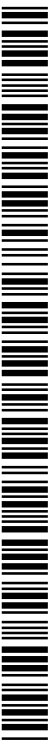


Fig. 1  
(PRIOR ART)

(57) Abstract: Devices, systems and methods for dilating tissue of a patient during a minimally invasive surgical procedure is disclosed. A surgical dilation system includes a dilator having an elongated, non-cannulated cylindrical body extending between a first end and an opposite second end. The first end includes a first beveled configuration and the second end includes a second, different beveled configuration. The beveled ends can include surface features to provide tissue removal and to enhance engagement with bony tissue.



GM, KE, LR, LS, MW, MZ, NA, RW, SD, SL, SZ, TZ, UG, ZM, ZW), Eurasian (AM, AZ, BY, KG, KZ, MD, RU, TJ, TM), European (AL, AT, BE, BG, CH, CY, CZ, DE, DK, EE, ES, FI, FR, GB, GR, HR, HU, IE, IS, IT, LT, LU, LV, MC, MK, MT, NL, NO, PL, PT, RO, RS, SE, SI, SK, SM, TR), OAPI (BF, BJ, CF, CG, CI, CM, GA, GN, GQ, GW, ML, MR, NE, SN, TD, TG).

**Published:**

— *with international search report (Art. 21(3))*

**(88) Date of publication of the international search report:**  
10 January 2013

**A. CLASSIFICATION OF SUBJECT MATTER***A61B 17/56(2006.01)i, A61B 17/92(2006.01)i, A61M 29/00(2006.01)i, A61B 17/70(2006.01)i*

According to International Patent Classification (IPC) or to both national classification and IPC

**B. FIELDS SEARCHED**

Minimum documentation searched (classification system followed by classification symbols)

A61B 17/56; A61M 29/00; A61B 17/58; A61B 17/88

Documentation searched other than minimum documentation to the extent that such documents are included in the fields searched

Korean utility models and applications for utility models

Japanese utility models and applications for utility models

Electronic data base consulted during the international search (name of data base and, where practicable, search terms used)

eKOMPASS(KIPO internal) &amp; Keywords: dilator, non-cannulated, beveled, blunt

**C. DOCUMENTS CONSIDERED TO BE RELEVANT**

Category*	Citation of document, with indication, where appropriate, of the relevant passages	Relevant to claim No.
A	US 2010-0222824 A1 (SIMONSON, ROBERT E.) 02 September 2010 See abstract; fig. 2; paragraph 33.	1-8
A	US 2005-0234497 A1 (DAVID, HUNG et al.) 20 October 2005 See abstract; fig. 2; paragraph 33; claims 1, 2.	1-8
A	US 2004-0147950 A1 (MUELLER JR., RICHARD L. et al.) 29 July 2004 See abstract; figs. 1, 3, 4; paragraphs 32, 33; claims 1, 5.	1-8
A	US 2009-0125030 A1 (TEBBE, SHAWN et al.) 14 May 2009 See abstract; figs. 1a, 1b; paragraph 47; claims 1, 3.	1-8

 Further documents are listed in the continuation of Box C. See patent family annex.

\* Special categories of cited documents:

"A" document defining the general state of the art which is not considered to be of particular relevance

"E" earlier application or patent but published on or after the international filing date

"L" document which may throw doubts on priority claim(s) or which is cited to establish the publication date of citation or other special reason (as specified)

"O" document referring to an oral disclosure, use, exhibition or other means

"P" document published prior to the international filing date but later than the priority date claimed

"T" later document published after the international filing date or priority date and not in conflict with the application but cited to understand the principle or theory underlying the invention

"X" document of particular relevance; the claimed invention cannot be considered novel or cannot be considered to involve an inventive step when the document is taken alone

"Y" document of particular relevance; the claimed invention cannot be considered to involve an inventive step when the document is combined with one or more other such documents, such combination being obvious to a person skilled in the art

"&amp;" document member of the same patent family

Date of the actual completion of the international search

23 OCTOBER 2012 (23.10.2012)

Date of mailing of the international search report

**24 OCTOBER 2012 (24.10.2012)**

Name and mailing address of the ISA/KR

Korean Intellectual Property Office  
189 Cheongsu-ro, Seo-gu, Daejeon Metropolitan  
City, 302-701, Republic of Korea

Facsimile No. 82-42-472-7140

Authorized officer

KANG, HEE GOK

Telephone No. 82-42-481-8264



**INTERNATIONAL SEARCH REPORT**

Information on patent family members

International application No.

**PCT/US2012/034694**

Patent document cited in search report	Publication date	Patent family member(s)	Publication date
US 2010-0222824 A1	02.09.2010	US 2003-0083688 A1	01.05.2003
		US 2003-0083689 A1	01.05.2003
		US 2005-0004593 A1	06.01.2005
		US 2005-0080418 A1	14.04.2005
		US 2005-0216002 A1	29.09.2005
		US 2011-0040333 A1	17.02.2011
		US 6916330 B2	12.07.2005
		US 7008431 B2	07.03.2006
		US 7824410 B2	02.11.2010
		US 8192437 B2	05.06.2012
		US 8235999 B2	07.08.2012
US 2005-0234497 A1	20.10.2005	US 2002-0193822 A1	19.12.2002
US 2004-0147950 A1	29.07.2004	WO 2004-067058 A2	12.08.2004
		WO 2004-067058 A3	02.06.2005
US 2009-0125030 A1	14.05.2009	AU 2005-211630 A1	04.05.2006
		AU 2005-211630 B2	25.10.2007
		AU 2005-295212 A1	27.04.2006
		AU 2006-329867 A1	05.07.2007
		AU 2007-313216 A1	24.04.2008
		AU 2007-317886 A1	15.05.2008
		AU 2008-241447 A1	30.10.2008
		AU 2008-275708 A1	15.01.2009
		AU 2008-279680 A1	29.01.2009
		AU 2008-296066 A1	12.03.2009
		AU 2008-343092 A1	09.07.2009
		AU 2009-206098 A1	23.07.2009
		AU 2009-206394 A1	30.07.2009
		AU 2009-223607 A1	17.09.2009
		CA 2517273 A1	20.04.2006
		CA 2582127 A1	27.04.2006
		CA 2634251 A1	05.07.2007
		CA 2666771 A1	28.04.2008
		CA 2668833 A1	15.05.2008
		CA 2684461 A1	30.10.2008
		CA 2695937 A1	15.01.2009
		CA 2697628 A1	29.01.2009
		CA 2698718 A1	12.03.2009
		CA 2701050 A1	09.07.2009
		CA 2711955 A1	23.07.2009
		CA 2712011 A1	30.07.2009
		CA 2717315 A1	17.09.2009
		CN 1763058 A	26.04.2006
CN 1763058 C0	16.01.2008		
EP 1661967 A1	31.05.2006		
EP 1661967 B1	09.01.2008		
EP 1661967 B8	06.08.2008		

**INTERNATIONAL SEARCH REPORT**

Information on patent family members

International application No.

**PCT/US2012/034694**

Patent document cited in search report	Publication date	Patent family member(s)	Publication date
		EP 1802242 A2	04.07.2007
		EP 1819287 A2	22.08.2007
		EP 1968494 A2	17.09.2008
		EP 2088947 A2	19.08.2009
		EP 2094195 A2	02.09.2009
		EP 2094195 B1	21.03.2012
		EP 2138120 A1	30.12.2009
		EP 2138121 A1	30.12.2009
		EP 2138121 B1	29.02.2012
		EP 2155121 A1	24.02.2010
		EP 2185086 A2	19.05.2010
		EP 2192865 A2	09.06.2010
		EP 2197392 A1	23.06.2010
		EP 2219538 A2	25.08.2010
		EP 2244670 A2	03.11.2010
		EP 2244781 A2	03.11.2010
		EP 2262434 A2	22.12.2010
		EP 2335626 A1	22.06.2011
		JP 04979113 B2	27.04.2012
		JP 2006-117636 A	11.05.2006
		KR 10-0713597 B1	02.05.2007
		US 2006-0084584 A1	20.04.2006
		US 2006-0084983 A1	20.04.2006
		US 2006-0084985 A1	20.04.2006
		US 2006-0084988 A1	20.04.2006
		US 2006-0085069 A1	20.04.2006
		US 2006-0085070 A1	20.04.2006
		US 2006-0122620 A1	08.06.2006
		US 2007-0142915 A1	21.06.2007
		US 2007-0161991 A1	12.07.2007
		US 2007-0173832 A1	26.07.2007
		US 2007-0276370 A1	29.11.2007
		US 2008-0195152 A1	14.08.2008
		US 2008-0287997 A1	20.11.2008
		US 2008-0294263 A1	27.11.2008
		US 2008-0319550 A1	25.12.2008
		US 2009-0075849 A1	19.03.2009
		US 2009-0138046 A1	28.05.2009
		US 2009-0138055 A1	28.05.2009
		US 2009-0222043 A1	03.09.2009
		US 2011-0106160 A1	05.05.2011
		US 7763074 B2	27.07.2010
		US 7884059 B2	08.02.2011
		US 7960321 B2	14.06.2011
		US 8012207 B2	06.09.2011
		US 8123782 B2	28.02.2012
		US 8123807 B2	28.02.2012
		US 8128662 B2	06.03.2012
		US 8152837 B2	10.04.2012
		US 8167944 B2	01.05.2012

**INTERNATIONAL SEARCH REPORT**

Information on patent family members

International application No.

**PCT/US2012/034694**

Patent document cited in search report	Publication date	Patent family member(s)	Publication date
		US 8273108 B2	25.09.2012
		US 8277488 B2	02.10.2012
		WO 2006-045094 A2	27.04.2006
		WO 2006-063047 A2	15.06.2006
		WO 2007-075375 A2	05.07.2007
		WO 2007-075788 A2	05.07.2007
		WO 2007-075791 A2	05.07.2007
		WO 2008-048645 A2	24.04.2008
		WO 2008-057506 A2	15.05.2008
		WO 2008-130564 A1	30.10.2008
		WO 2009-009049 A2	15.01.2009
		WO 2009-014728 A2	29.01.2009
		WO 2009-033093 A1	12.03.2009
		WO 2009-086010 A2	09.07.2009
		WO 2009-094463 A2	30.07.2009
		WO 2009-114479 A2	17.09.2009