



US00D869317S

(12) **United States Design Patent** (10) **Patent No.:** **US D869,317 S**  
**Wakou** (45) **Date of Patent:** **\*\* Dec. 10, 2019**

(54) **METER FOR AN AUTOMOBILE**  
(71) Applicant: **HINO MOTORS, LTD.**, Tokyo (JP)  
(72) Inventor: **Michiyoshi Wakou**, Hino (JP)  
(73) Assignee: **HINO MOTORS, LTD.**, Hino-Shi, Tokyo (JP)  
(\*\*) Term: **15 Years**

D546,723 S \* 7/2007 Saito ..... D10/102  
D581,302 S \* 11/2008 Wyszogrod ..... D10/102  
D589,388 S \* 3/2009 Sauter ..... D10/102  
D603,283 S \* 11/2009 Colussi ..... D10/102  
D611,861 S \* 3/2010 Wiedeman ..... D10/102  
7,926,963 B2 \* 4/2011 Konagaya ..... G01D 13/265  
362/23.21  
D650,300 S \* 12/2011 Fujioka ..... D10/102  
D683,645 S \* 6/2013 Bode ..... D10/102  
D740,148 S \* 10/2015 Colussi ..... D10/102

\* cited by examiner

(21) Appl. No.: **35/505,588**  
(22) Filed: **Mar. 2, 2018**

*Primary Examiner* — Richard E Chilcot  
(74) *Attorney, Agent, or Firm* — Leydig Voit & Mayer

(80) **Hague Agreement Data**

Int. Filing Date: **Mar. 2, 2018**  
Int. Reg. No.: **DM/101263**  
Int. Reg. Date: **Mar. 2, 2018**  
Int. Reg. Pub. Date: **Sep. 7, 2018**

(57) **CLAIM**

The ornamental design for a meter for an automobile, as shown and described.

(51) **LOC (12) Cl.** ..... **10-04**  
(52) **U.S. Cl.**  
USPC ..... **D10/102**  
CPC ..... **G01D 13/265** (2013.01)

**DESCRIPTION**

(58) **Field of Classification Search**  
USPC ..... D10/102; 362/23.21, 23.01;  
280/750-752  
CPC ..... G01D 13/265; G01D 11/28  
See application file for complete search history.

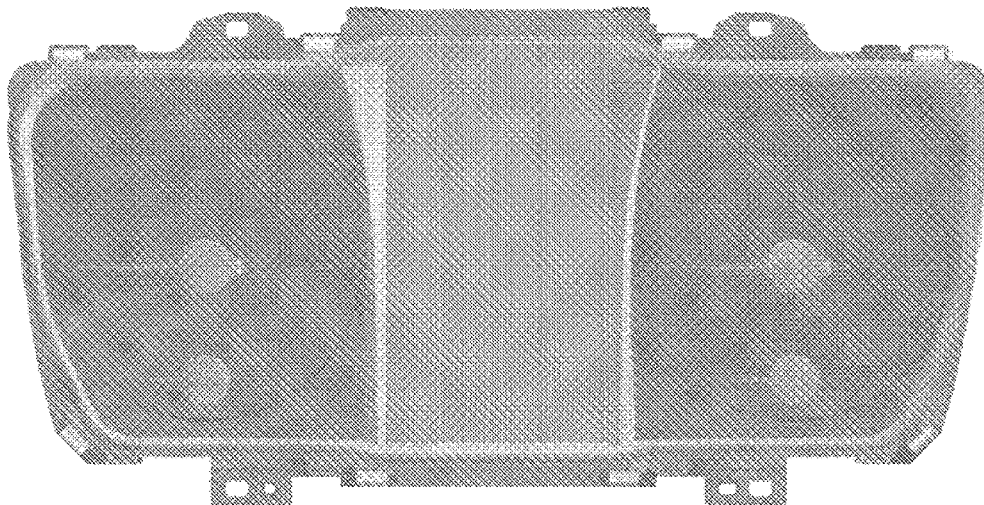
- 1. Meter for an automobile
  - 1.1** : Front
  - 1.2** : Back
  - 1.3** : Top
  - 1.4** : Bottom
  - 1.5** : Left
  - 1.6** : Right
  - 1.7** : Perspective view from above
  - 1.8** : Perspective view from below
- Meter for an automobile with a transparent cover.

(56) **References Cited**

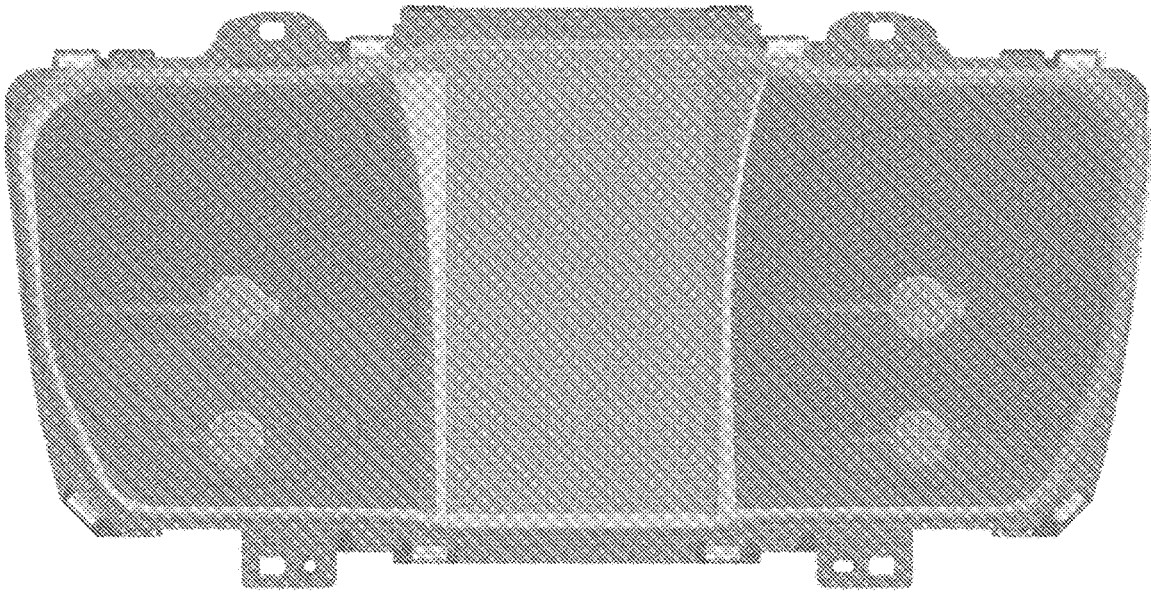
**U.S. PATENT DOCUMENTS**

D538,694 S \* 3/2007 Rake ..... D10/102  
D540,708 S \* 4/2007 Saito ..... D10/102

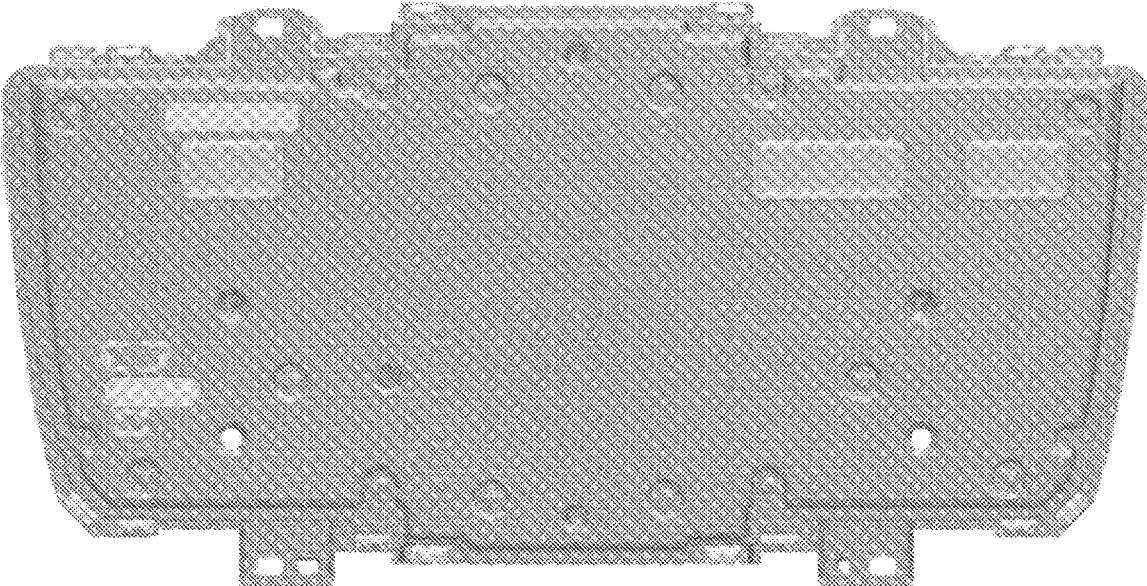
**1 Claim, 8 Drawing Sheets**



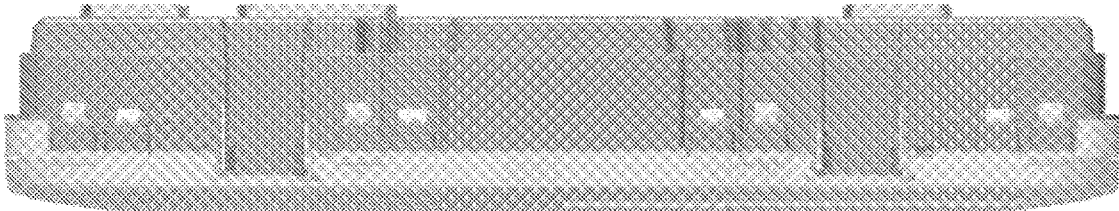
1.1



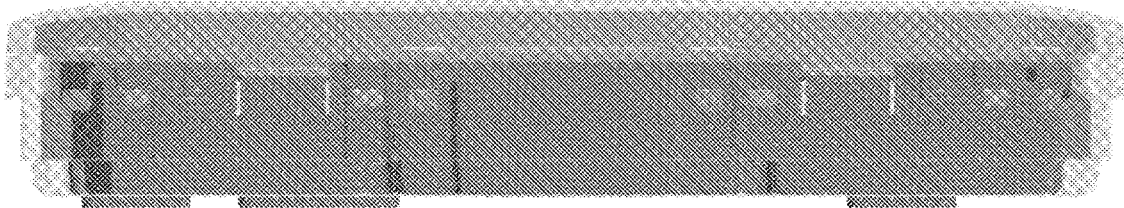
1.2



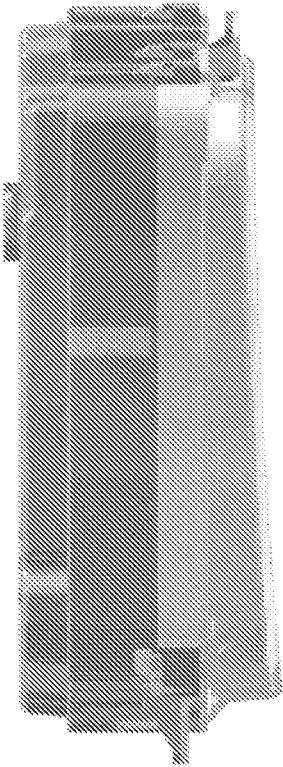
1.3



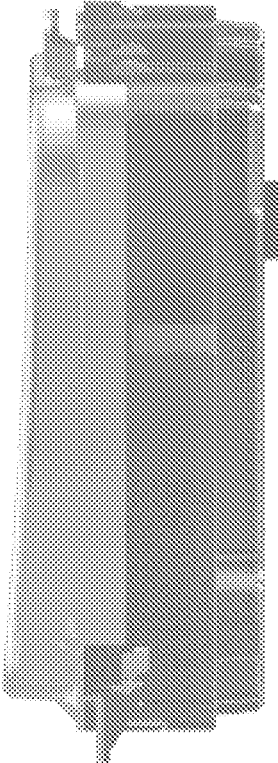
1.4



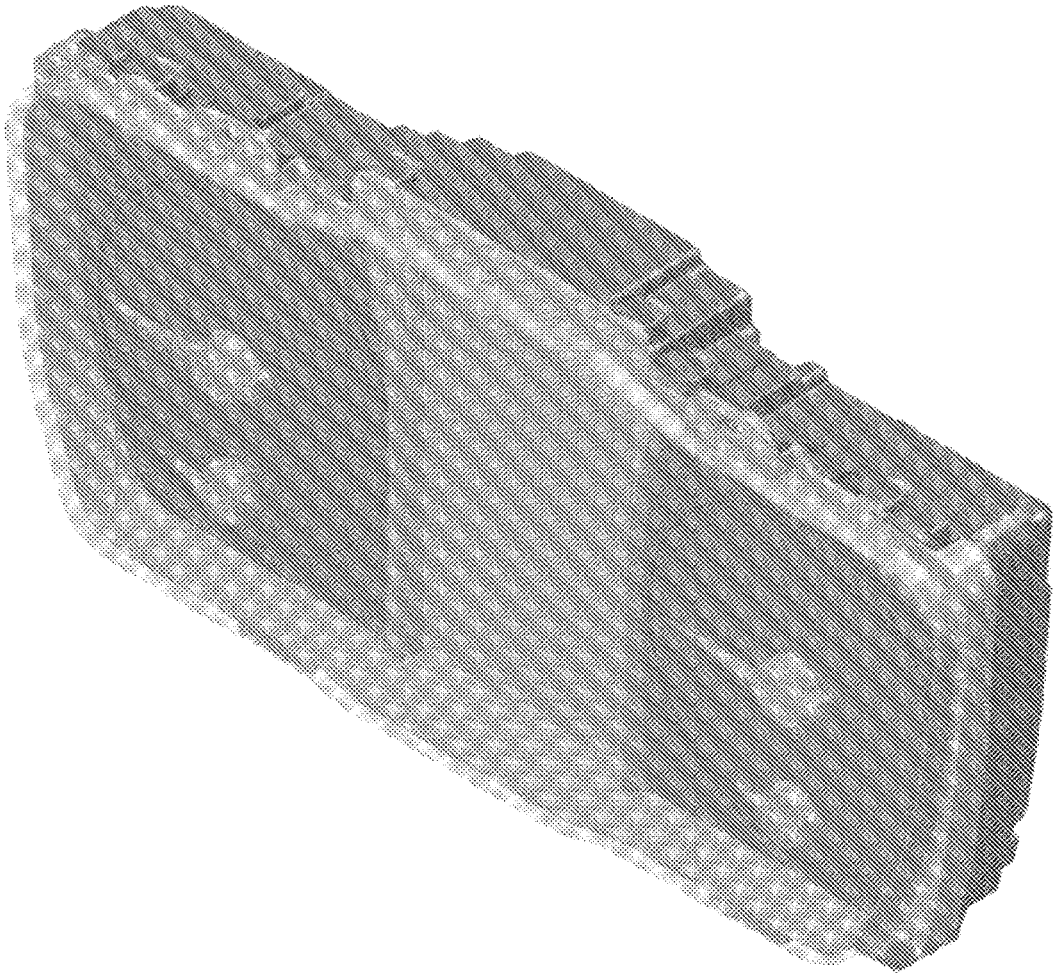
1.5



1.6



1.7





1.8

