



US00D610124S

(12) **United States Design Patent**
Masoian et al.

(10) **Patent No.:** **US D610,124 S**

(45) **Date of Patent:** **** Feb. 16, 2010**

(54) **EMERGENCY COMMUNICATION CONTROLLER AND CONSOLE**

(75) Inventors: **Lee Masoian**, West New York, NJ (US);
Stanley Mantel, Silver Spring, MD (US)

(73) Assignee: **Airorlite Communications, Inc.**, Fair Lawn, NJ (US)

(**) Term: **14 Years**

(21) Appl. No.: **29/283,457**

(22) Filed: **Aug. 15, 2007**

(51) **LOC (9) Cl.** **14-03**

(52) **U.S. Cl.** **D14/140.7**

(58) **Field of Classification Search** D14/140.7,
D14/137, 140, 142, 140.2, 140.9, 141.3, 155,
D14/159, 188, 191, 194, 196, 240, 244-245,
D14/256, 257; 379/45-51, 37-38, 49, 216.01;
455/15, 403, 404.1-404.2; 340/500, 525,
340/691.6

See application file for complete search history.

(56) **References Cited**

U.S. PATENT DOCUMENTS

D225,233	S	*	11/1972	Janda	D14/140.7
3,800,089	A		3/1974	Reddick		
3,939,417	A		2/1976	Cannalte et al.		
4,176,254	A	*	11/1979	Tuttle et al.	379/45
5,086,463	A		2/1992	Vesely et al.		
5,105,460	A	*	4/1992	Williams	379/155
5,274,838	A		12/1993	Childress et al.		
5,283,546	A		2/1994	Scop et al.		
5,343,509	A	*	8/1994	Dounies	379/40
5,363,436	A		11/1994	McMonagle, Jr. et al.		
D358,153	S	*	5/1995	Jackson	D14/245
5,465,296	A		11/1995	McMonagle, Jr. et al.		
5,475,750	A		12/1995	McMonagle, Jr. et al.		
5,475,751	A		12/1995	McMonagle, Jr. et al.		

(Continued)

OTHER PUBLICATIONS

“GEMS 2000 EMS Communications Console,” General Devices, <http://www.general-devices.com/console.htm>, printed Aug. 15, 2007.

(Continued)

Primary Examiner—Ian Simmons

Assistant Examiner—Wan Laymon

(74) *Attorney, Agent, or Firm*—Crowell & Moring LLP

(57) **CLAIM**

The ornamental design for an emergency communication controller and console, as shown and described.

DESCRIPTION

FIG. 1 is a front view of a first embodiment of an emergency communication controller and console according to our novel design;

FIG. 2 is a left, top perspective view thereof;

FIG. 3 is a top view thereof;

FIG. 4 is a right, bottom perspective view thereof; and

FIG. 5 is a front view thereof, where the broken lines illustrate environmental structure of the right side of the emergency communication controller and console form no part of the claimed design;

FIG. 6 is a front view of a second environment of the emergency communication controller and console according to our novel design;

FIG. 7 is a top view thereof;

FIG. 8 is a left, top perspective view thereof;

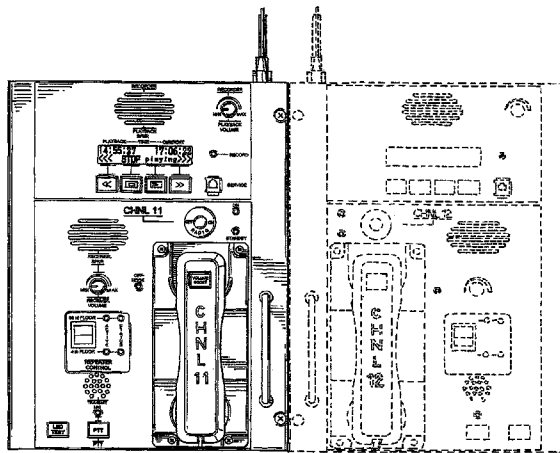
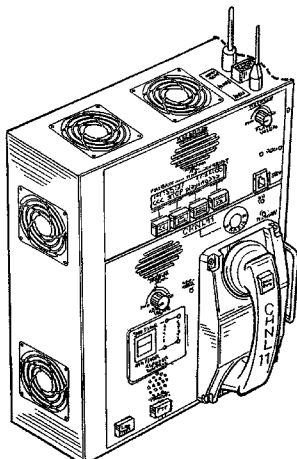
FIG. 9 is a right, bottom perspective view thereof;

FIG. 10 is a front view thereof, where the broken lines illustrate environmental structure of the left side of the emergency communication controller and console form no part of the claimed design.

FIG. 11 is a front view showing a possible environment of the first and second embodiments; and,

FIG. 12 a front view showing an additional possible environment of the first and second embodiments.

1 Claim, 10 Drawing Sheets



U.S. PATENT DOCUMENTS

5,784,456	A *	7/1998	Carey et al.	379/419
5,805,976	A	9/1998	Frichtel et al.	
5,963,631	A *	10/1999	Fazio et al.	379/202.01
6,060,979	A	5/2000	Eichstadt	
6,614,883	B2	9/2003	Baum et al.	
6,996,392	B2	2/2006	Anderson et al.	
2003/0078029	A1	4/2003	Petite	
2004/0086092	A1 *	5/2004	Fehr	379/37
2005/0172304	A1 *	8/2005	Tavares et al.	719/318
2008/0085696	A1 *	4/2008	Salahshour et al.	455/404.1

OTHER PUBLICATIONS

“Dispatch Console—Motorola CommandStar Lite,” CommUSA, http://www.commusa.com/catalog.aspx/Dispatch_Console, printed Aug. 15, 2007.

“Dispatch / Consoles,” Multi-Media Communications, http://www.mmc.net/dispatch_consoles.htm, printed Aug. 15, 2007.

Archive of “Telex Communications Announces the C-Soft VoIP Software Dispatch Console,” EMS Dispatch Equipment Press Releases, [http://www.exalead.com/search/C=eJwNzEEOhCAQRNE6jNsRHb1QB8rohEakIXj8YfeTi*wHvff5R7XZ3!pyuUPz1Vy4LEv1J592ZWWqg2j2KYwUo7I13fbFIYIJCYGHtFgRqSpYIHmc3hGTyUGjFH*iiz!ZsiVS/preview?q=www.jems.com%2fproducts%2fdispatchequipment%2fpress-releases%2f11340%2f&previewindex=0&url=http%3a%2f%2fwww.jems.com%2fproducts%2fdispatchequipment%2fpress-releases%2f11340%2f&\\$rcexpanded=false](http://www.exalead.com/search/C=eJwNzEEOhCAQRNE6jNsRHb1QB8rohEakIXj8YfeTi*wHvff5R7XZ3!pyuUPz1Vy4LEv1J592ZWWqg2j2KYwUo7I13fbFIYIJCYGHtFgRqSpYIHmc3hGTyUGjFH*iiz!ZsiVS/preview?q=www.jems.com%2fproducts%2fdispatchequipment%2fpress-releases%2f11340%2f&previewindex=0&url=http%3a%2f%2fwww.jems.com%2fproducts%2fdispatchequipment%2fpress-releases%2f11340%2f&$rcexpanded=false), printed Aug. 15, 2007.

Rebecca Spitz, “Real Estate Company Unveils New Radio System That Will Aid FDNY,” Internet news article, May 31, 2006; North American Group, LLC, Woodside, New York, United States. (<http://www.namsgroup.com/news1.htm>); See video at website.

* cited by examiner

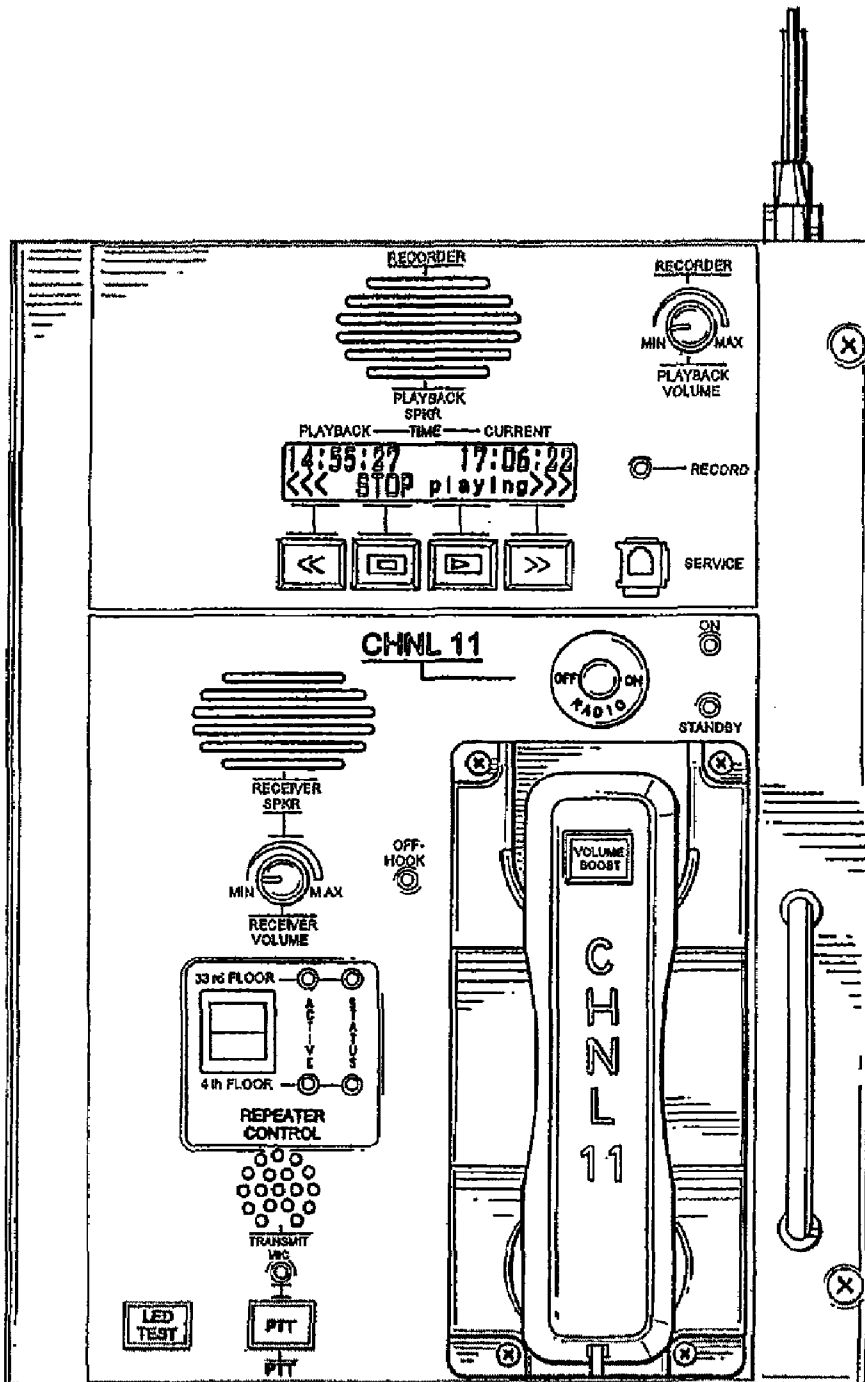
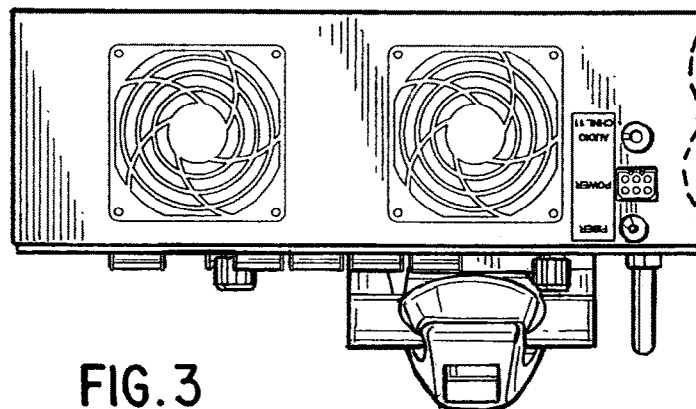
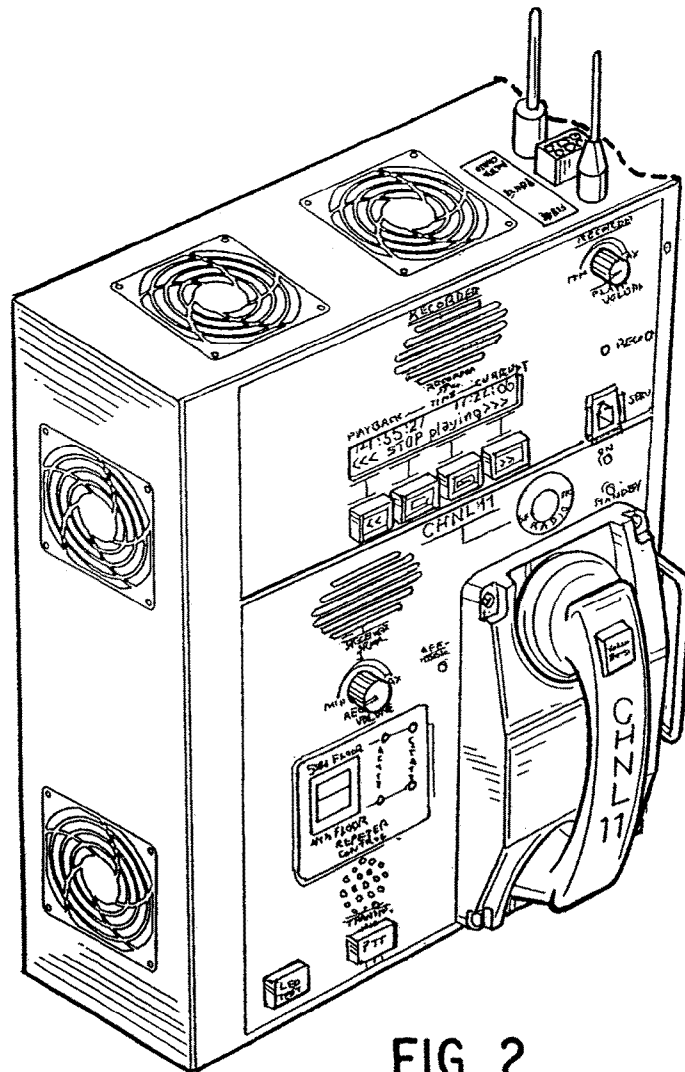


FIG. 1



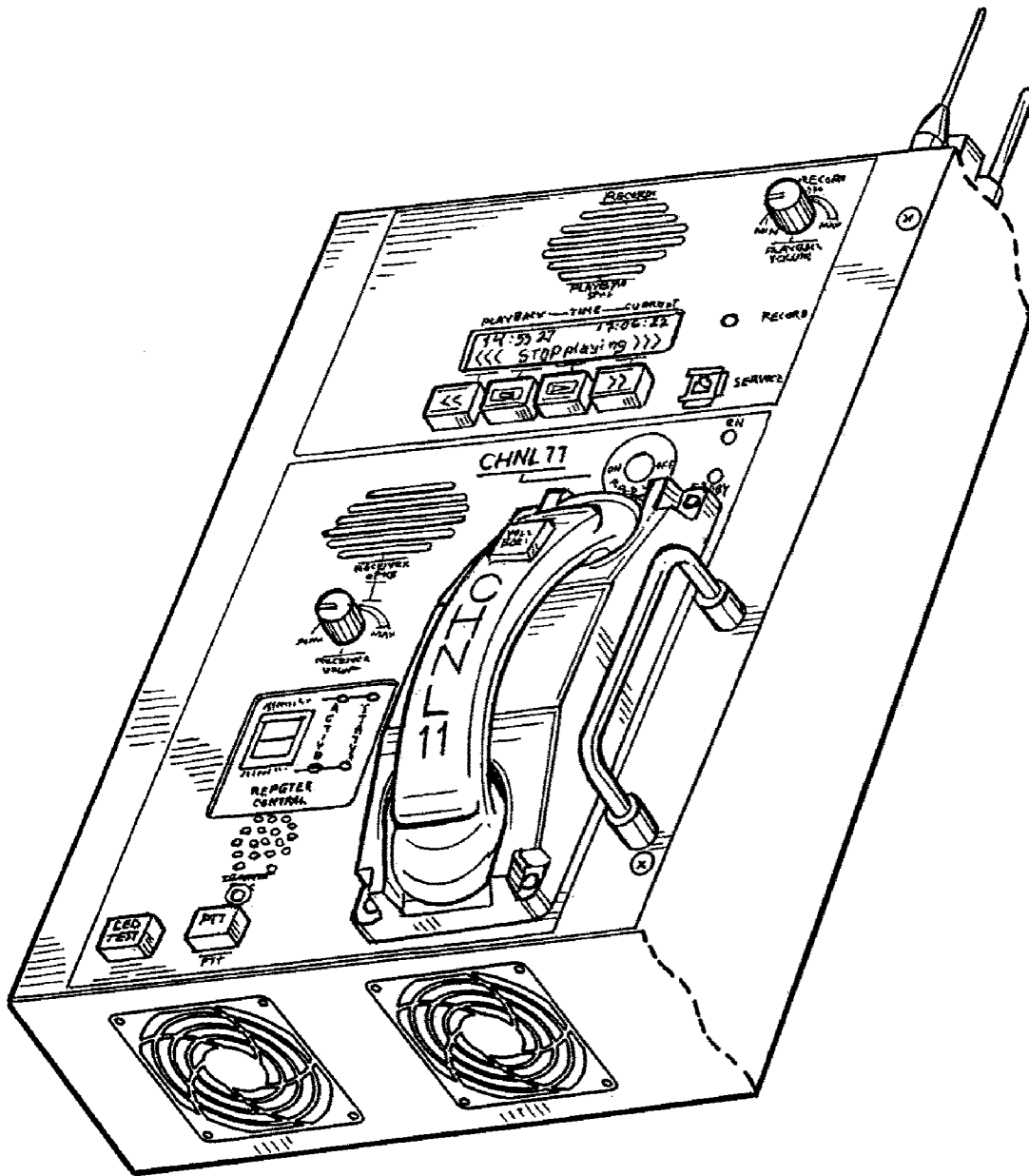


FIG. 4

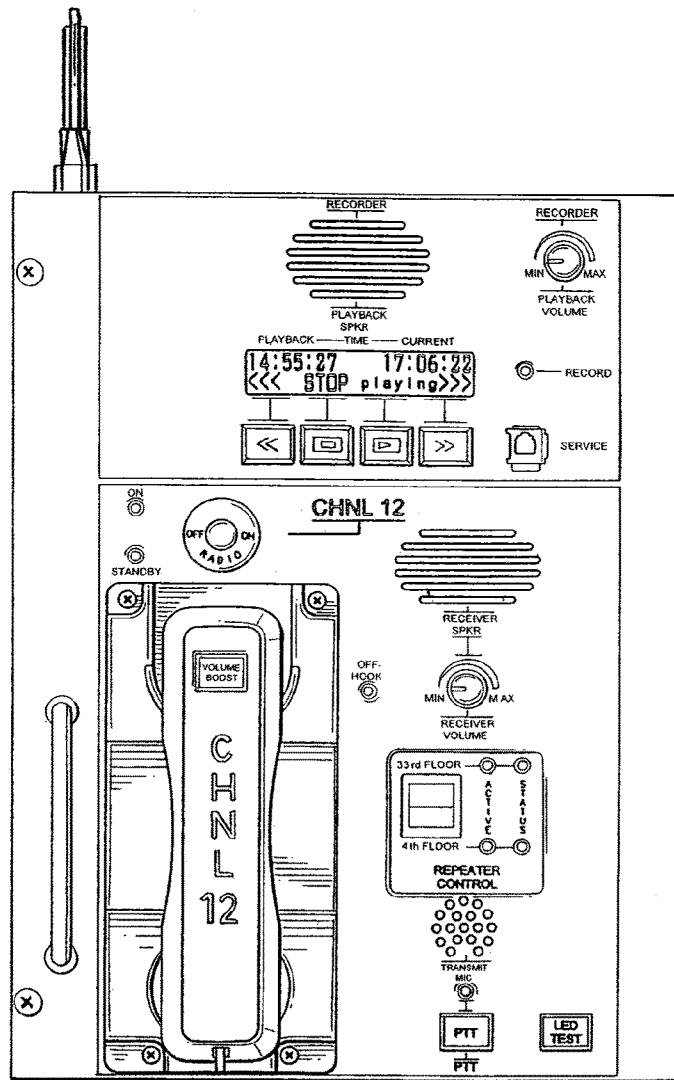


FIG. 6

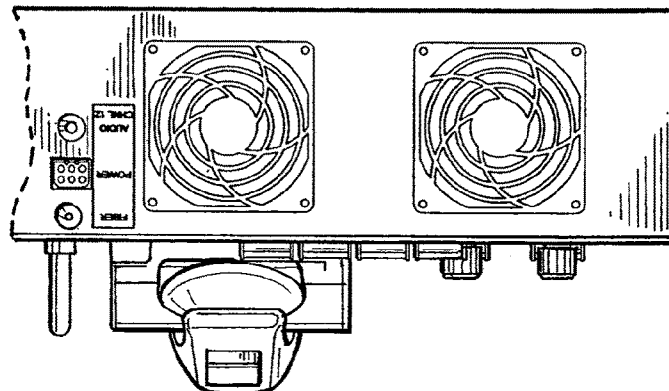


FIG. 7

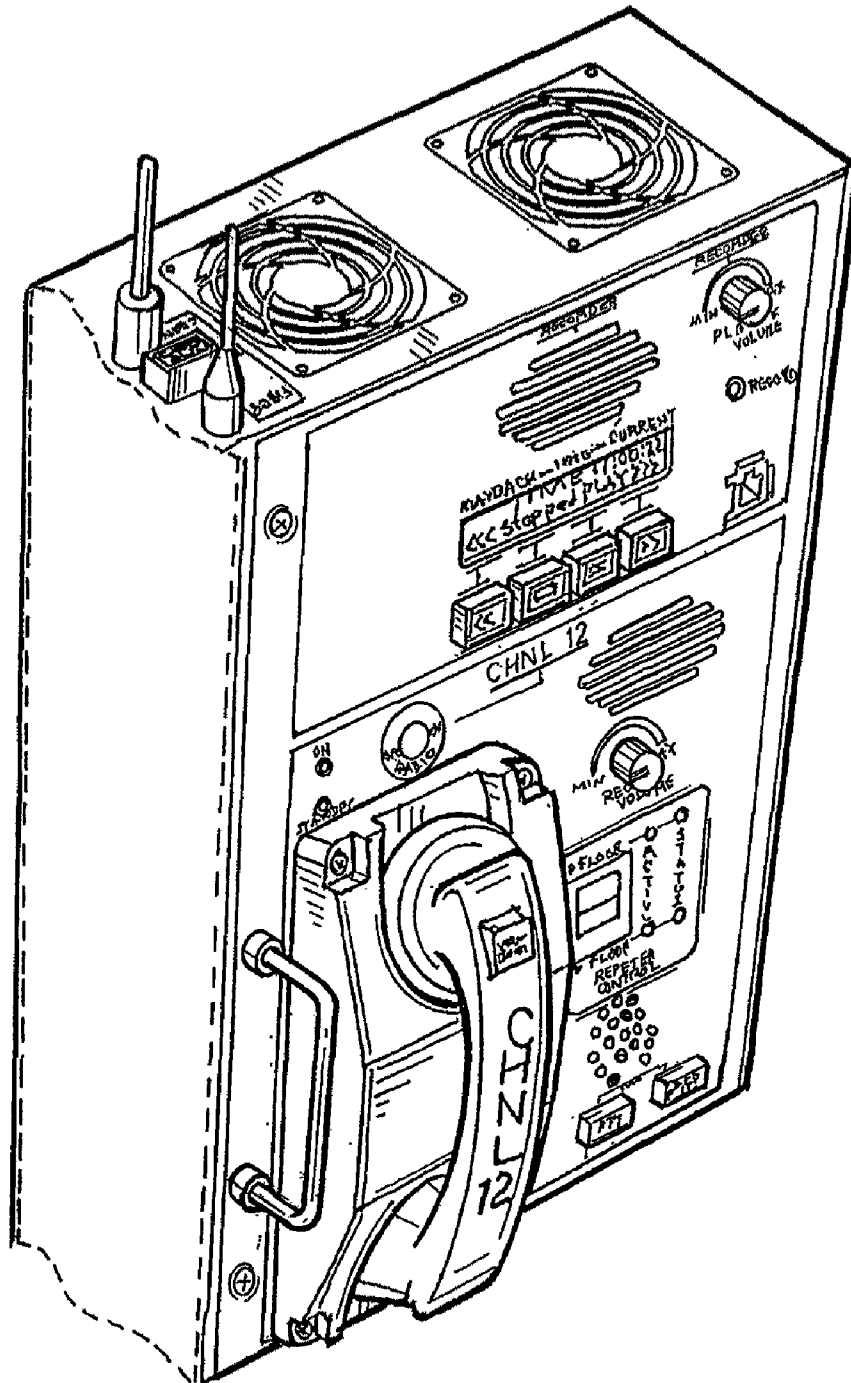


FIG. 8

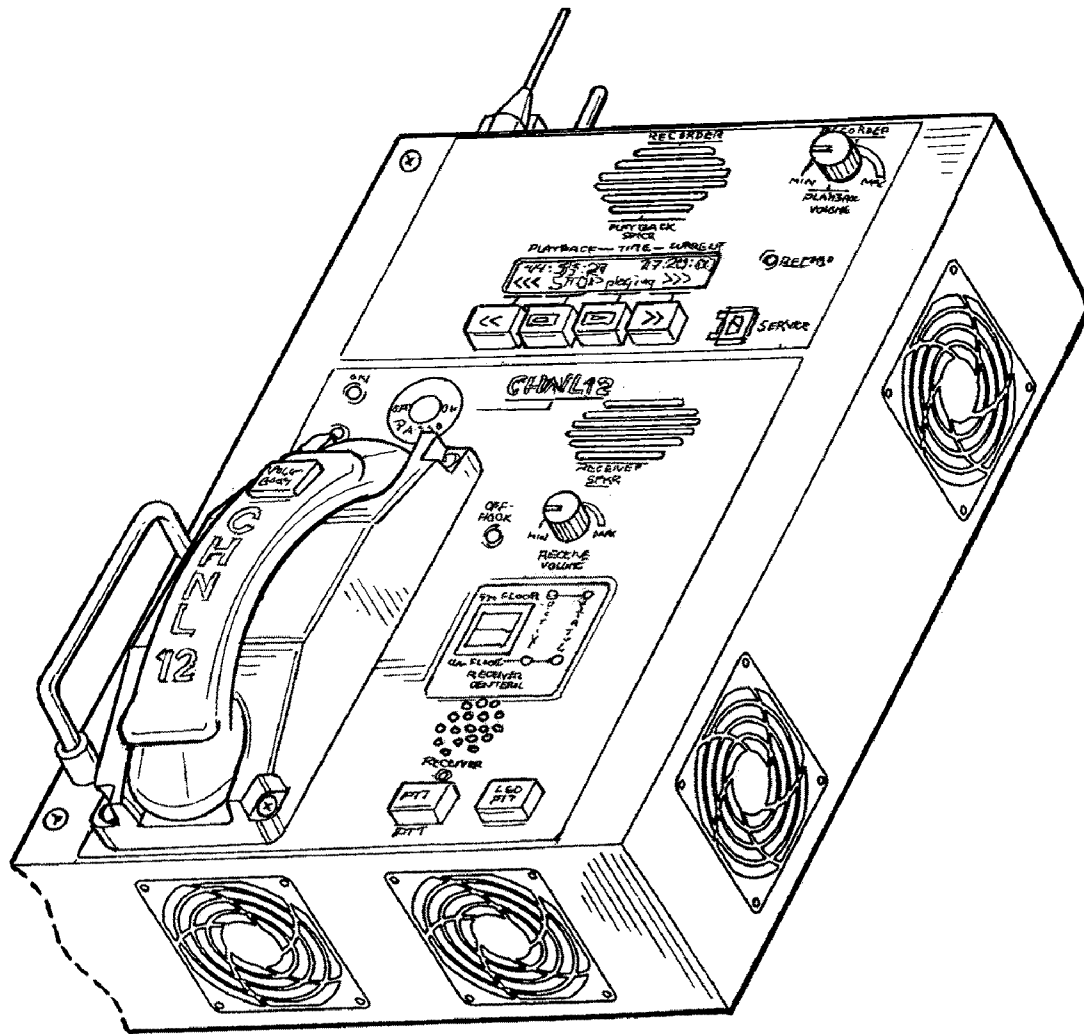


FIG. 9

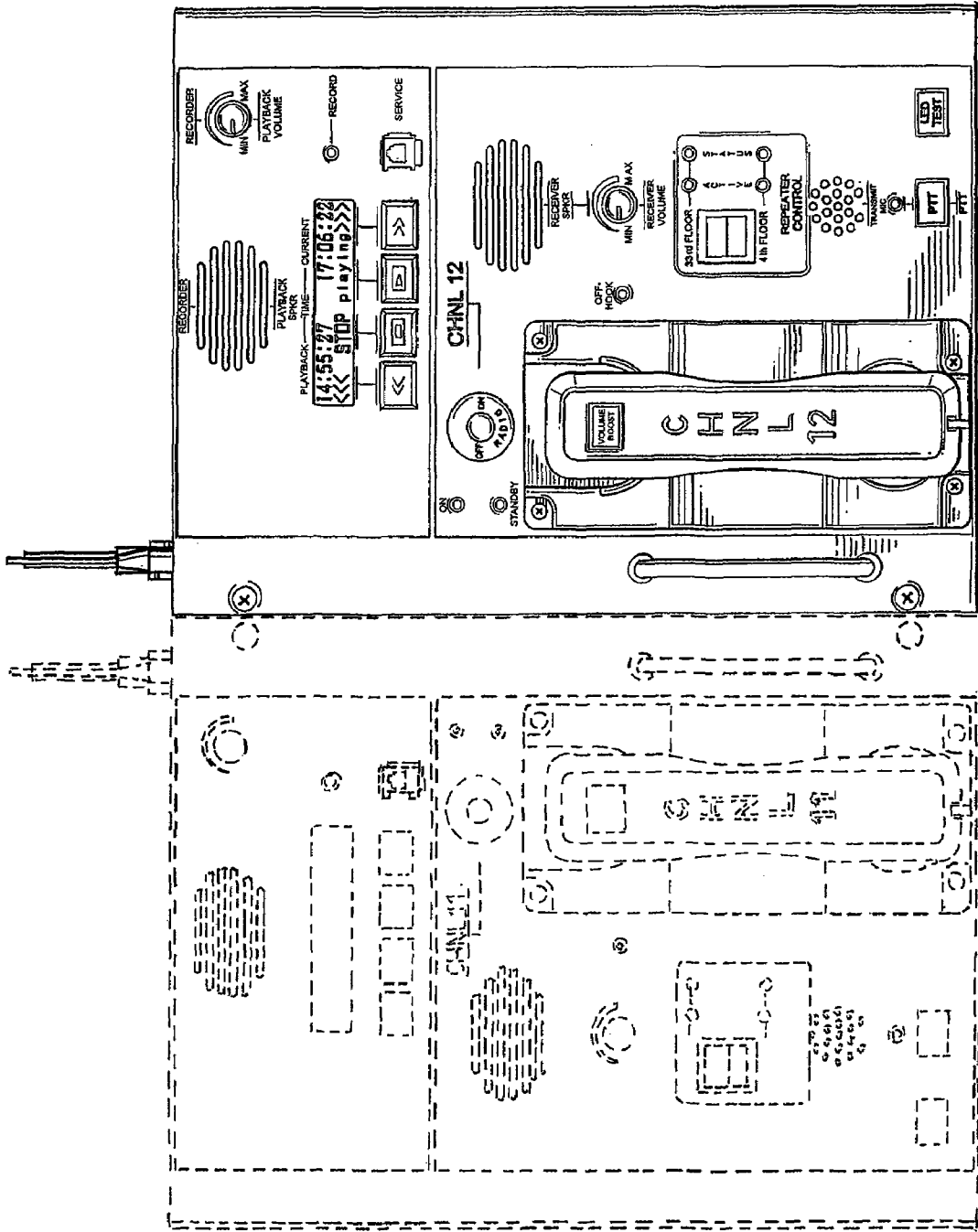


FIG. 10

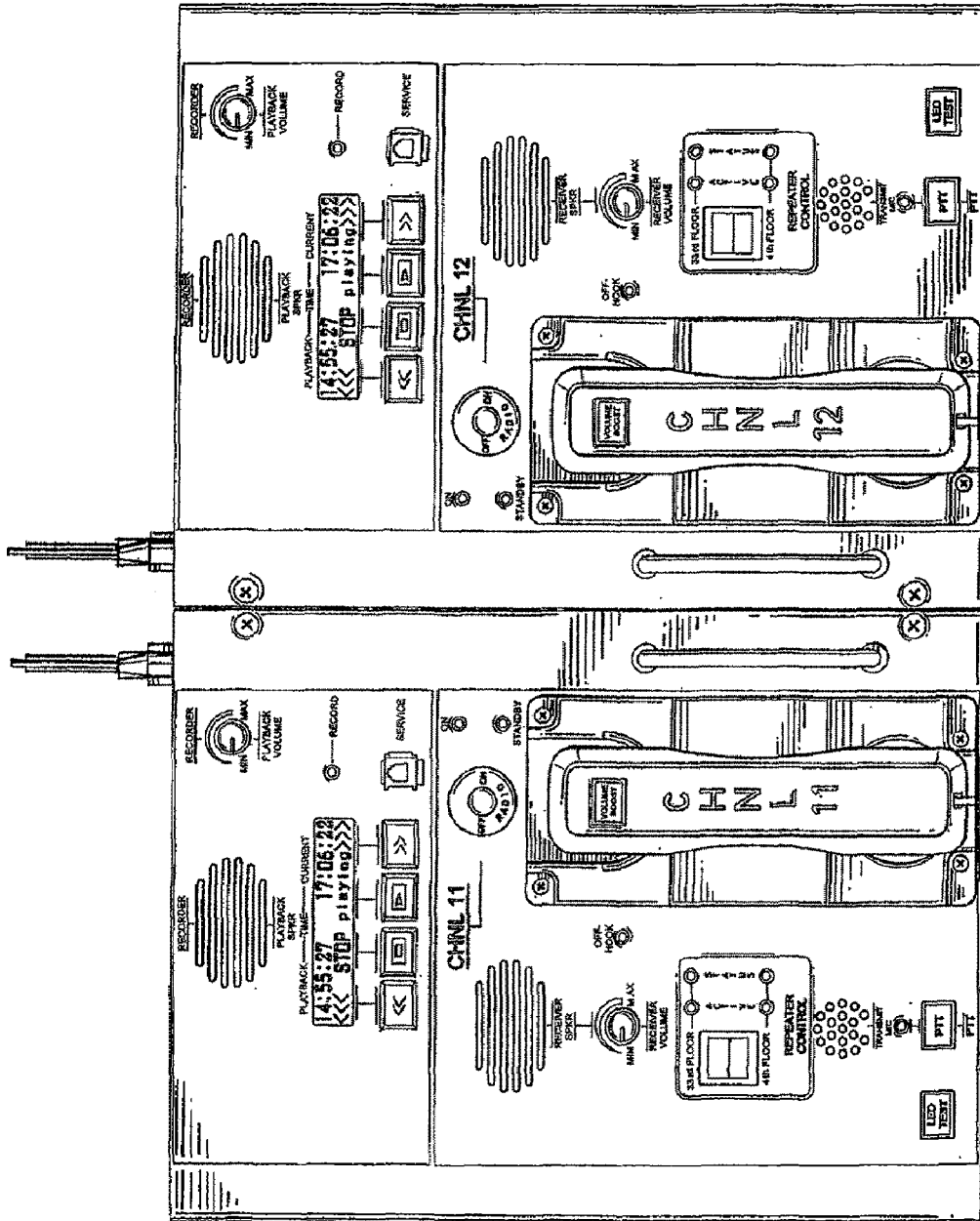


FIG. 11

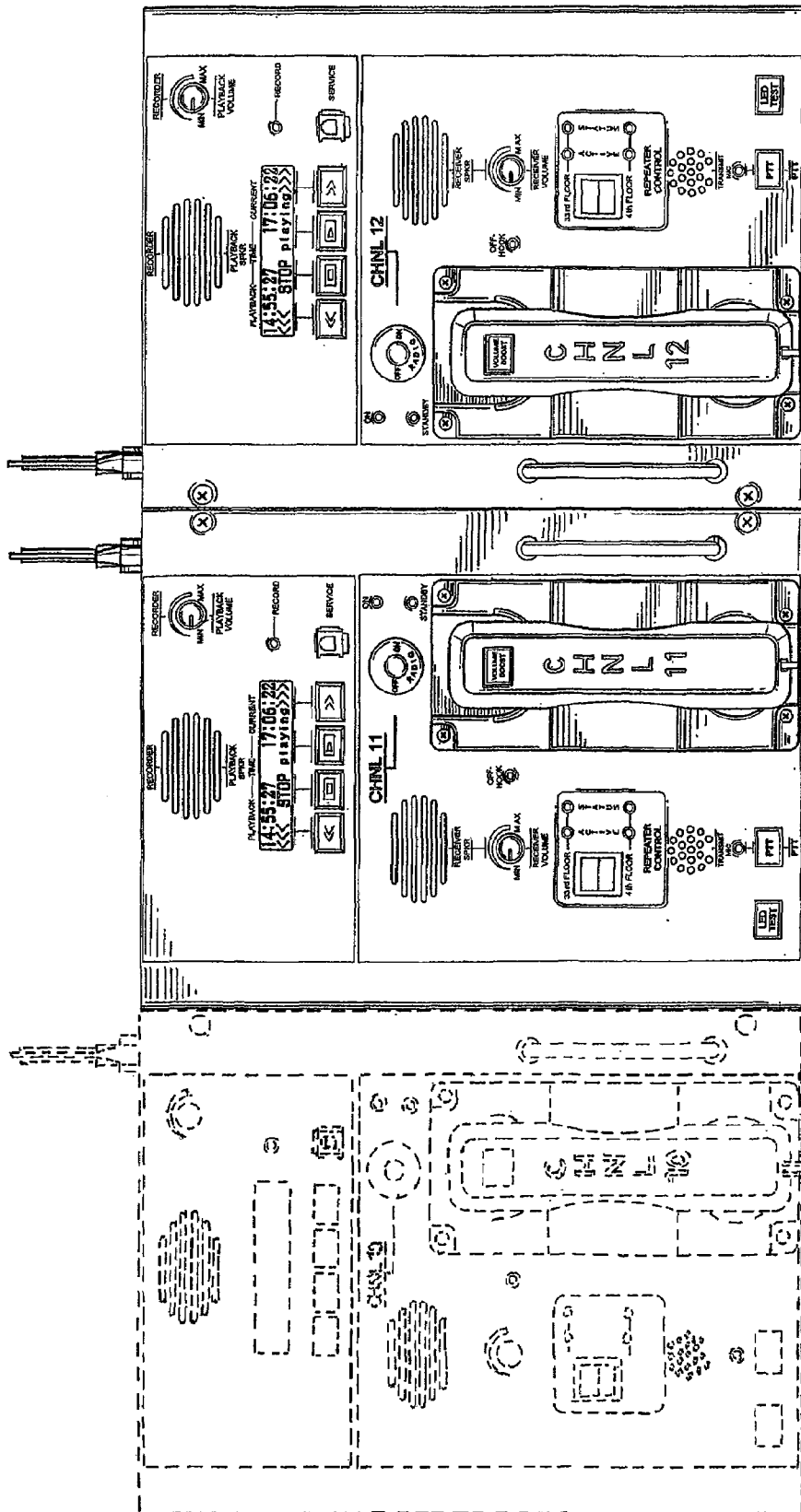


FIG. 12