



US00D724634S

(12) **United States Design Patent**
St. Laurent et al.

(10) **Patent No.:** **US D724,634 S**

(45) **Date of Patent:** **** *Mar. 17, 2015**

- (54) **OPTICAL DISC SANDING MACHINE**
- (71) Applicant: **Venmill Industries Incorporated**,
Uxbridge, MA (US)
- (72) Inventors: **Daniel St. Laurent**, Webster, MA (US);
Mariusz Surowaniec, Thompson, CT (US)
- (73) Assignee: **Venmill Industries Incorporated**,
Uxbridge, MA (US)

D390,577	S	*	2/1998	Imahashi	D15/124
6,386,946	B1	*	5/2002	Lin et al.	451/7
D474,212	S	*	5/2003	Domaille et al.	D15/124
6,796,877	B1	*	9/2004	Bingham et al.	451/5
D510,368	S	*	10/2005	Narita	D15/124
D530,728	S	*	10/2006	Liao	D15/124
D585,914	S	*	2/2009	Hart	D15/124
D595,317	S	*	6/2009	Dinsdale	D15/124
D635,162	S	*	3/2011	Johansen	D15/125
D673,591	S	*	1/2013	Surowaniec	D15/124
D673,985	S	*	1/2013	Surowaniec	D15/124
2003/0182015	A1	*	9/2003	Domaille et al.	700/164
2011/0143636	A1	*	6/2011	Miyahara et al.	451/2

(*) Notice: This patent is subject to a terminal disclaimer.

* cited by examiner

(**) Term: **14 Years**

Primary Examiner — Patricia Palasik

(74) Attorney, Agent, or Firm — Hayes Soloway PC

(21) Appl. No.: **29/484,220**

(22) Filed: **Mar. 7, 2014**

(51) **LOC (10) Cl.** **15-09**

(52) **U.S. Cl.**
USPC **D15/124**

(58) **Field of Classification Search**
USPC D8/62, 63; D14/299, 363, 368;
D15/122, 124, 125, 126; 15/88.2, 88.3,
15/102, 256.51; 51/7, 41; 144/16; 369/72;
451/2, 59, 60, 63, 72, 254, 258–262,
451/283, 287, 290, 291, 359, 446, 451, 459,
451/460

See application file for complete search history.

(56) **References Cited**

U.S. PATENT DOCUMENTS

D280,202	S	*	8/1985	Aldridge, Jr.	D15/124
4,736,475	A	*	4/1988	Ekhoff	451/258
D305,644	S	*	1/1990	Rivera et al.	D14/363
D326,463	S	*	5/1992	Jacks	D15/125

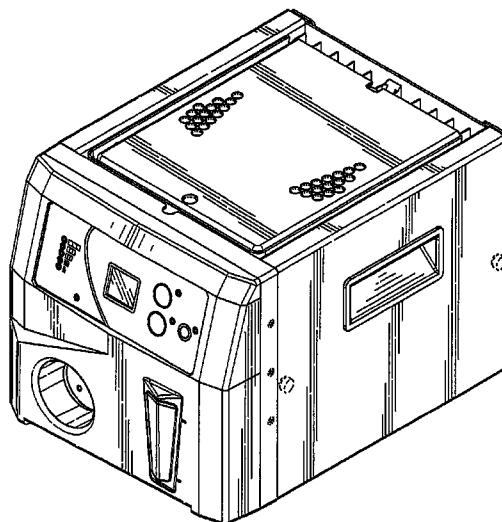
(57) **CLAIM**

We claim the ornamental design for an optical disc sanding machine, as shown and described.

DESCRIPTION

FIG. 1 is a perspective view of an optical disc sanding machine showing the new design;
 FIG. 2 is a front view of an optical disc sanding machine thereof;
 FIG. 3 is a back view of an optical disc sanding machine thereof;
 FIG. 4 is a side view of an optical disc sanding machine thereof;
 FIG. 5 is a side view of an optical disc sanding machine thereof;
 FIG. 6 is a top plan view of an optical disc sanding machine thereof; and,
 FIG. 7 is a bottom view of an optical disc sanding machine thereof.

1 Claim, 7 Drawing Sheets



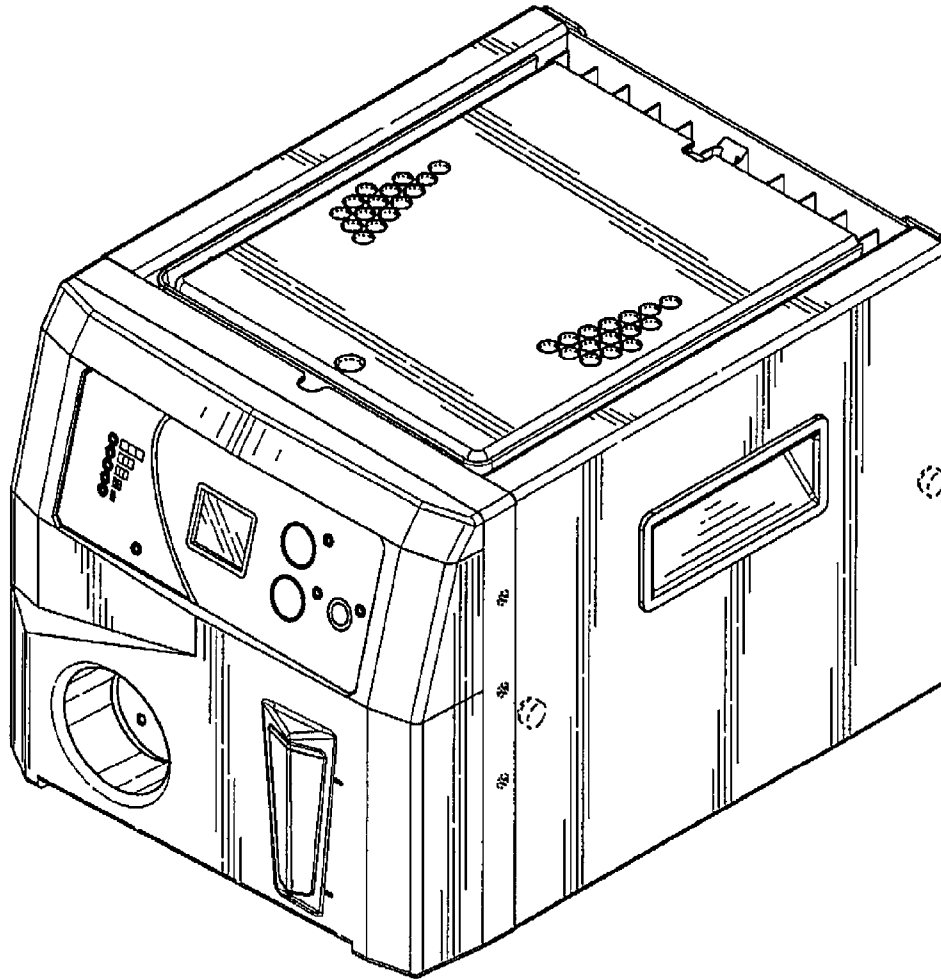


FIG. 1

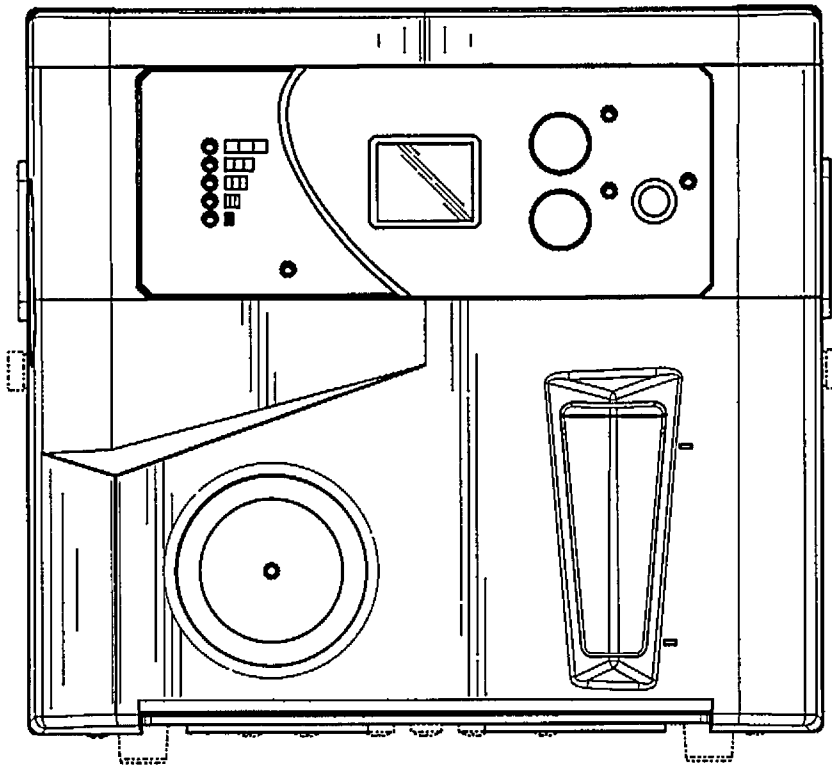


FIG. 2

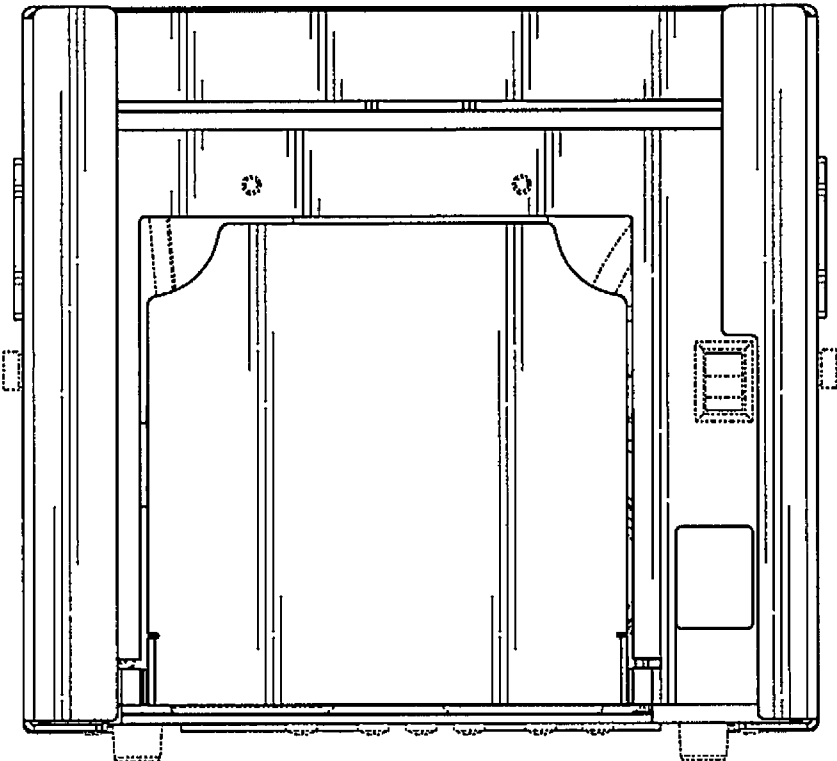


FIG. 3

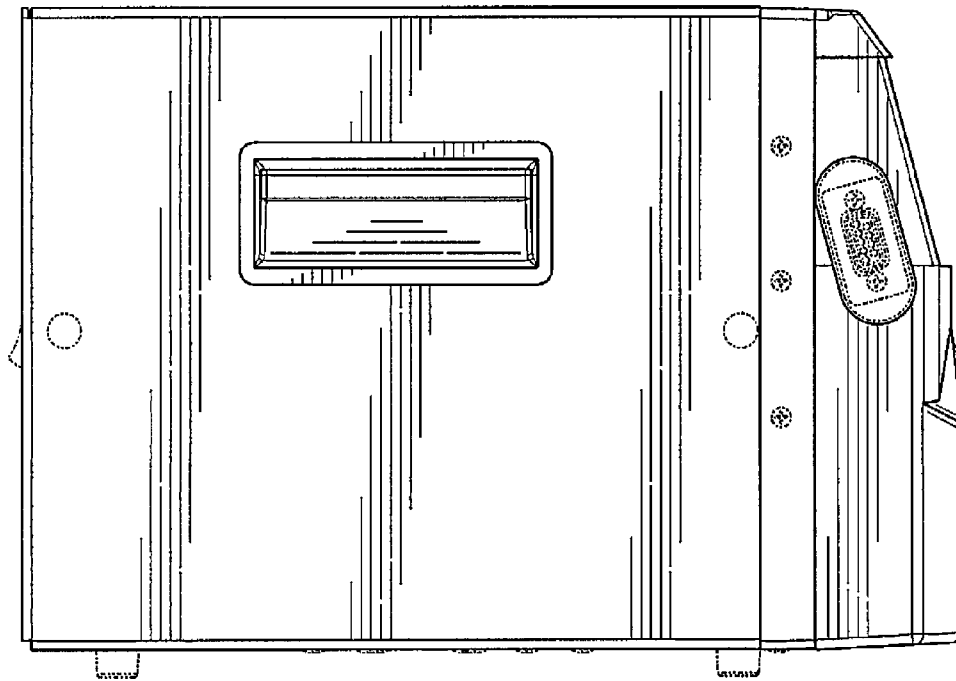


FIG. 4

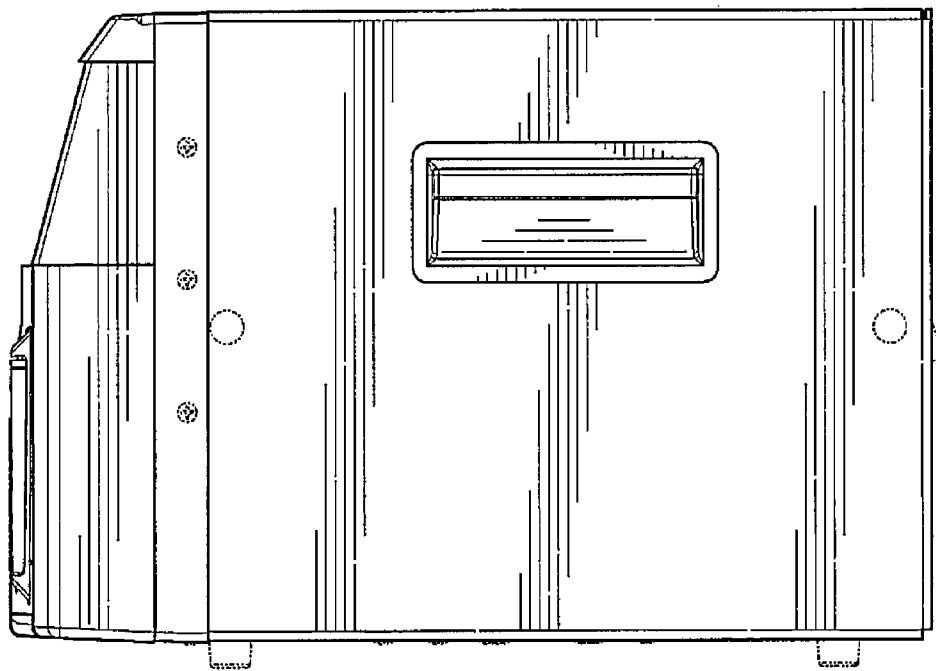


FIG. 5

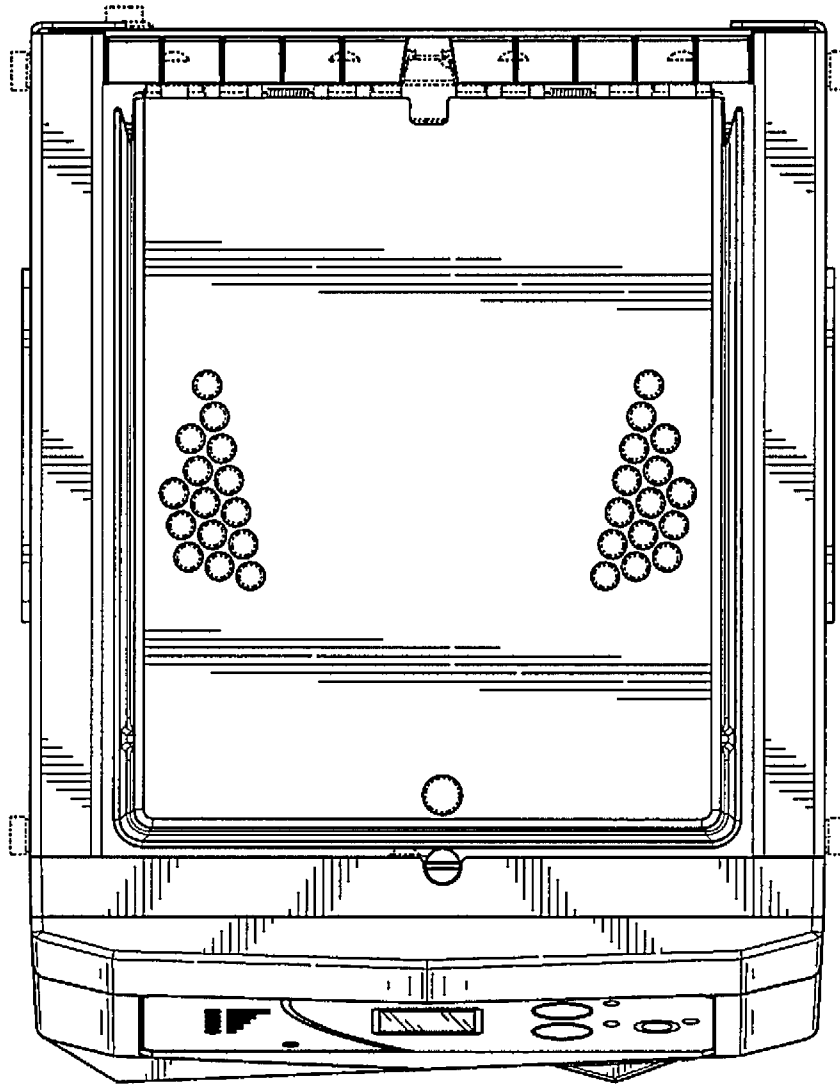


FIG. 6

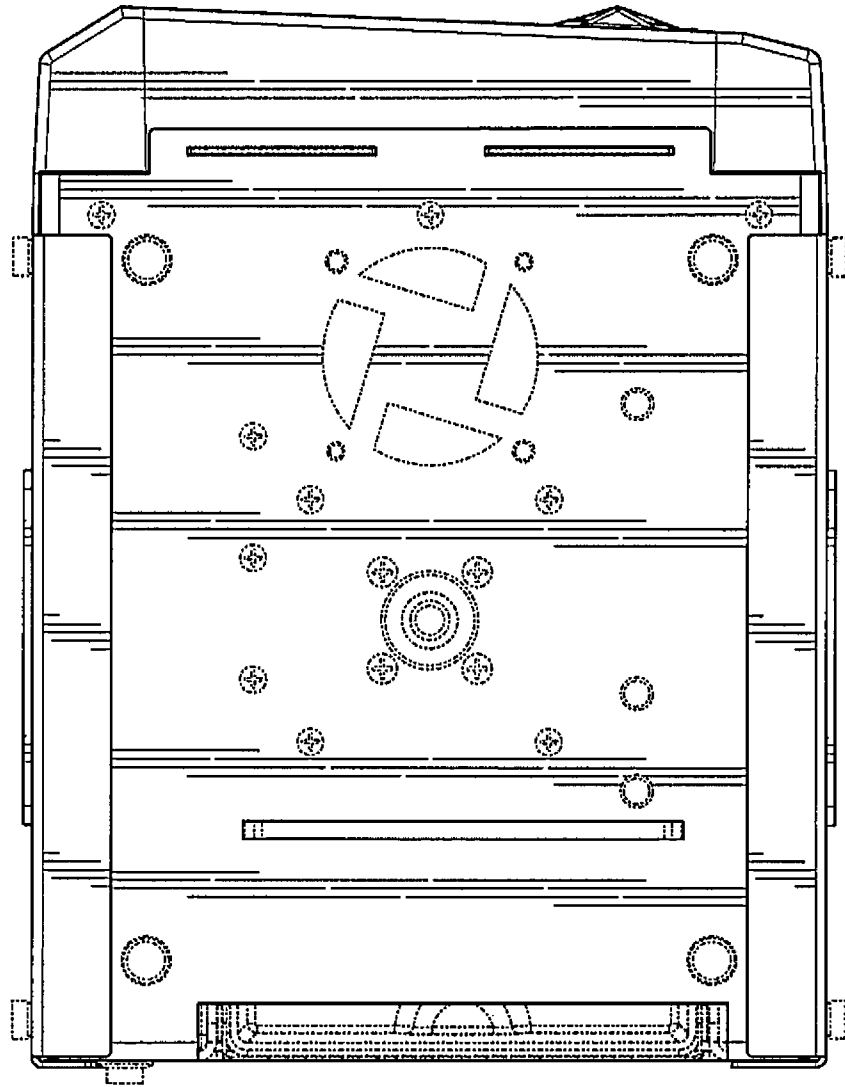


FIG. 7