



(12) **United States Design Patent** (10) **Patent No.:** **US D970,502 S**
Jinkinson et al. (45) **Date of Patent:** **** Nov. 22, 2022**

(54) **KEYBOARD**
 (71) Applicant: **Logitech Europe S.A.**, Lausanne (CH)
 (72) Inventors: **Nicholas Jinkinson**, St-Sulpice (CH);
Marcel Twohig, Dublin (IE); **Stone Wang**, Hsinchu (TW); **Jasper Phua**,
 Morges (CH); **Olivia Hildebrand**,
 Geneva (CH)
 (73) Assignee: **Logitech Europe S.A.**, Lausanne (CH)

D721,051 S * 1/2015 Lee D14/138 G
 D760,226 S * 6/2016 Bailey D14/392
 9,417,707 B2* 8/2016 Ng G06F 3/0238
 (Continued)

FOREIGN PATENT DOCUMENTS

CN 304711003 * 8/2017
 CN 305928333 * 7/2020
 CN 306033182 * 9/2020

OTHER PUBLICATIONS

MX Keys Wireless Keyboard, Logitech, logitech.com, author unlisted,
 published on Dec. 18, 2021 per wayback machine © 2022 Logitech,
 online, site visited Mar. 10, 2022. Available at URL: <https://www.logitech.com/en-us/products/keyboards/mx-keys-for-business.920-010116.html> (Year: 2021).*

(Continued)

Primary Examiner — Holly E Thurman
Assistant Examiner — Altaira J Swangin
 (74) *Attorney, Agent, or Firm* — Kilpatrick Townsend &
 Stockton LLP

(57) **CLAIM**

The ornamental design for keyboard, as shown and described.

DESCRIPTION

FIG. 1 is a perspective view from the upper front, right side of the keyboard showing our new design.
 FIG. 2 is a perspective view from the upper back, left side thereof;
 FIG. 3 is top plan view thereof;
 FIG. 4 is a bottom plan thereof;
 FIG. 5 is a front elevation view thereof;
 FIG. 6 is a back elevation view thereof;
 FIG. 7 is a left side elevation view thereof; and,
 FIG. 8 is a right side elevation view thereof.
 The broken lines depict portions of the keyboard that form no part of the claimed design.

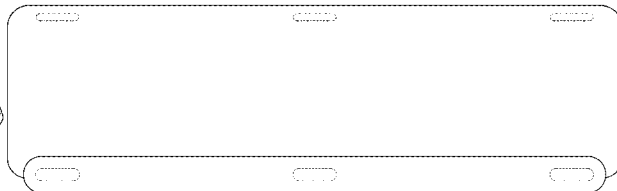
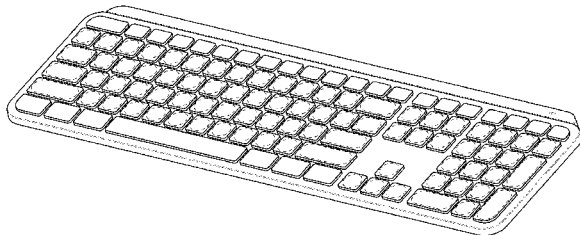
1 Claim, 5 Drawing Sheets

(21) Appl. No.: **29/684,715**
 (22) Filed: **Mar. 22, 2019**
 (51) **LOC (13) Cl.** **14-02**
 (52) **U.S. Cl.**
 USPC **D14/393**
 (58) **Field of Classification Search**
 USPC D14/247, 315–327, 331–333, 338,
 D14/345–347, 387, 390–401, 406, 429,
 D14/455–457, 460–461; D18/1–2,
 D18/4.1–4.6, 7, 11, 12.2, 52; D21/324,
 D21/409
 CPC B41J 5/00; B41J 5/10; B41J 5/12; G06F
 3/021; G06F 3/0216; G06F 3/0219; G06F
 3/02
 See application file for complete search history.

(56) **References Cited**

U.S. PATENT DOCUMENTS

D353,585 S * 12/1994 Lucente D14/397
 D422,972 S * 4/2000 King D18/7
 7,171,498 B2* 1/2007 Tu G06F 3/0236
 345/169
 D604,299 S * 11/2009 Acevedo D18/7
 D670,697 S * 11/2012 Brown D14/391
 8,376,638 B2* 2/2013 Dai G06F 3/0219
 463/37



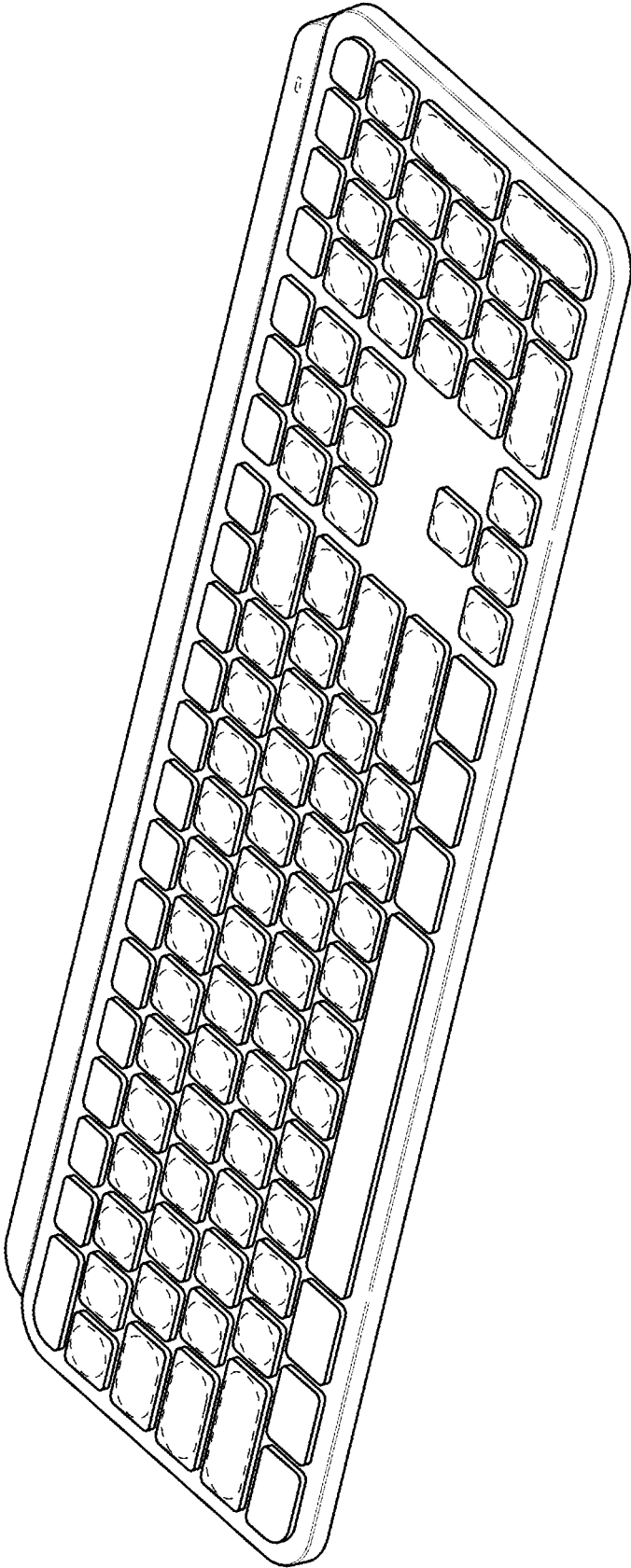


FIG. 1

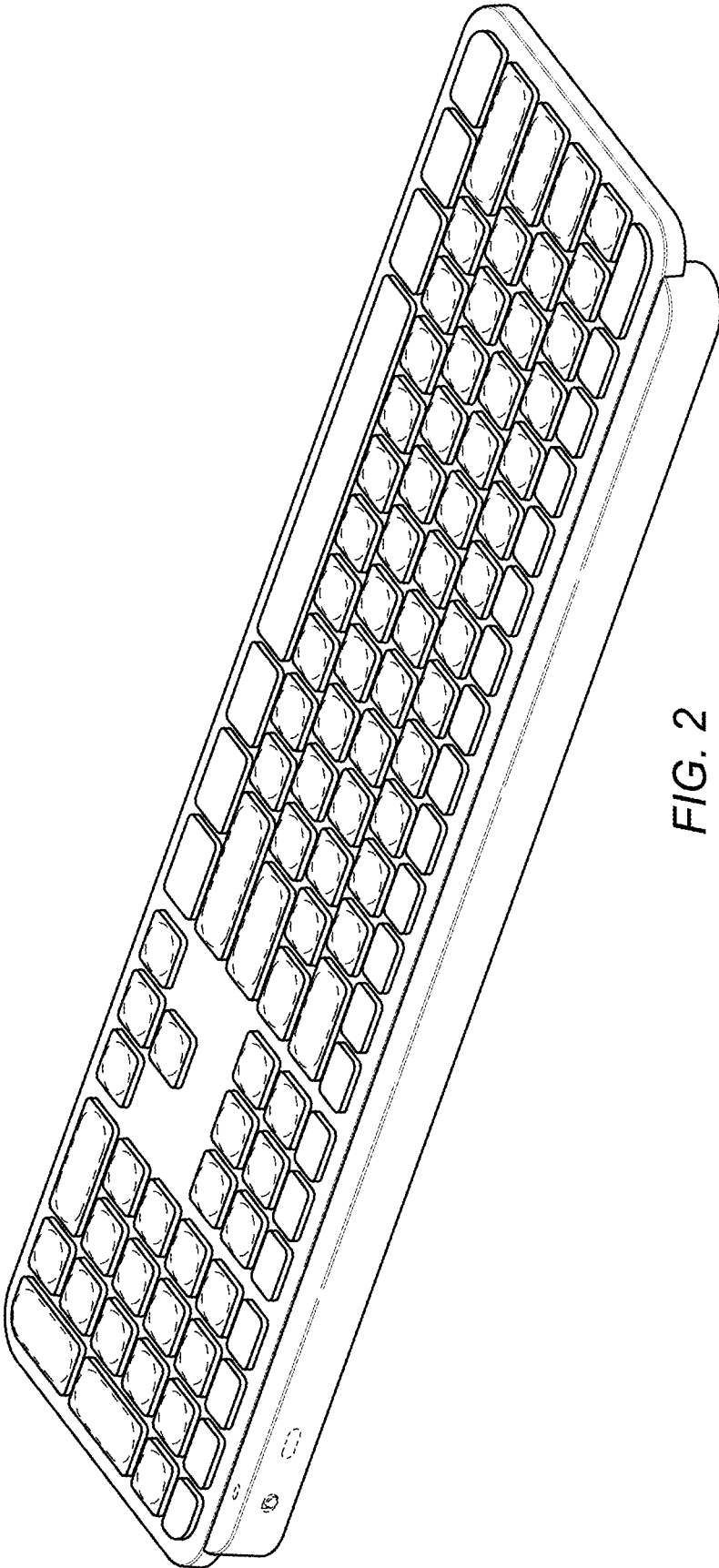


FIG. 2

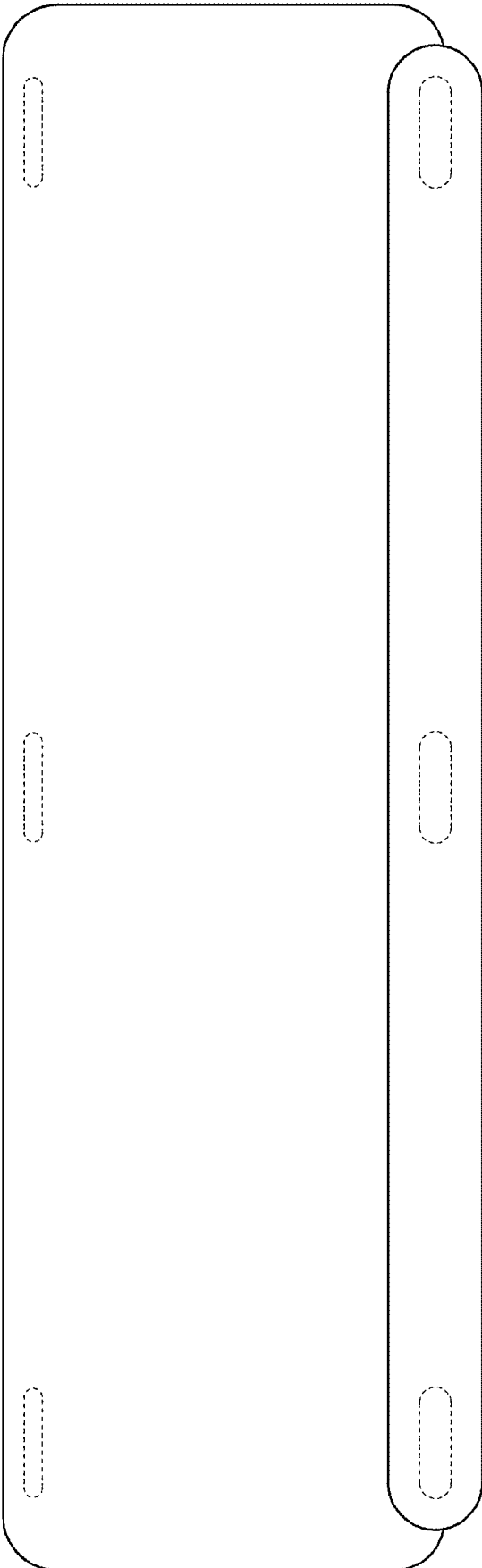


FIG. 4



FIG. 5

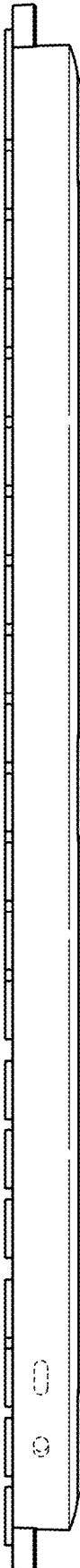


FIG. 6

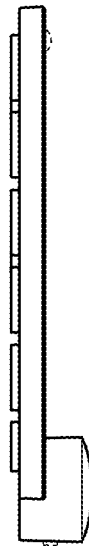


FIG. 7



FIG. 8