



(51) International Patent Classification:

*H01M 10/04* (2006.01)      *H01M 10/052* (2010.01)  
*H01M 2/18* (2006.01)      *H01M 10/0585* (2010.01)

(21) International Application Number:

PCT/US2017/030422

(22) International Filing Date:

01 May 2017 (01.05.2017)

(25) Filing Language:

English

(26) Publication Language:

English

(30) Priority Data:

62/330,317      02 May 2016 (02.05.2016)      US

(71) Applicant: **CARDIAC PACEMAKERS, INC.** [US/US];  
4100 Hamline Avenue North, St. Paul, Minnesota  
55112-5798 (US).

(72) Inventor: **VEDOY, Arild**; 24124 Inwood Ave N, Forest  
Lake, Minnesota 55025 (US).

(74) Agent: **ARORA, Suneel** et al.; Schwegman, Lundberg &  
Woessner, P.A., P.O. Box 2938, Minneapolis, Minnesota  
55402 (US).

(81) Designated States (*unless otherwise indicated, for every  
kind of national protection available*): AE, AG, AL, AM,  
AO, AT, AU, AZ, BA, BB, BG, BH, BN, BR, BW, BY, BZ,  
CA, CH, CL, CN, CO, CR, CU, CZ, DE, DJ, DK, DM, DO,

DZ, EC, EE, EG, ES, FI, GB, GD, GE, GH, GM, GT, HN,  
HR, HU, ID, IL, IN, IR, IS, JP, KE, KG, KH, KN, KP, KR,  
KW, KZ, LA, LC, LK, LR, LS, LU, LY, MA, MD, ME, MG,  
MK, MN, MW, MX, MY, MZ, NA, NG, NI, NO, NZ, OM,  
PA, PE, PG, PH, PL, PT, QA, RO, RS, RU, RW, SA, SC,  
SD, SE, SG, SK, SL, SM, ST, SV, SY, TH, TJ, TM, TN, TR,  
TT, TZ, UA, UG, US, UZ, VC, VN, ZA, ZM, ZW.

(84) Designated States (*unless otherwise indicated, for every  
kind of regional protection available*): ARIPO (BW, GH,  
GM, KE, LR, LS, MW, MZ, NA, RW, SD, SL, ST, SZ, TZ,  
UG, ZM, ZW), Eurasian (AM, AZ, BY, KG, KZ, RU, TJ,  
TM), European (AL, AT, BE, BG, CH, CY, CZ, DE, DK,  
EE, ES, FI, FR, GB, GR, HR, HU, IE, IS, IT, LT, LU, LV,  
MC, MK, MT, NL, NO, PL, PT, RO, RS, SE, SI, SK, SM,  
TR), OAPI (BF, BJ, CF, CG, CI, CM, GA, GN, GQ, GW,  
KM, ML, MR, NE, SN, TD, TG).

Published:

— with international search report (Art. 21(3))

(54) Title: BATTERY LITHIUM CLUSTER GROWTH CONTROL

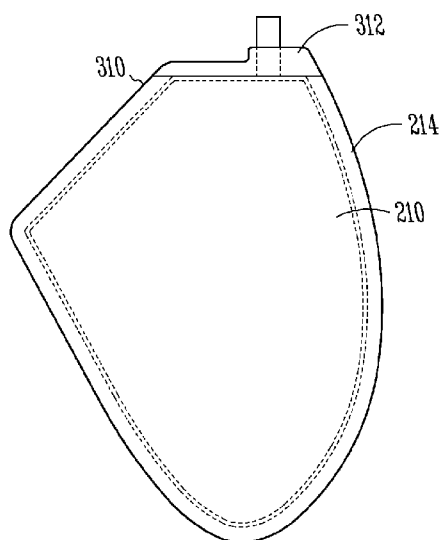


Fig. 4

(57) Abstract: An apparatus includes a battery stack including a plurality of alternating anodes and cathodes, wherein each of the anodes is positioned between first and second separators, and wherein a tab of the anode extends out from between the first and second separators, and an edge tape extending across a top of the first and second separators.



**BATTERY LITHIUM CLUSTER GROWTH CONTROL**

5

**CLAIM OF PRIORITY**

This application claims the benefit of priority under 35 U.S.C. § 119(e) of U.S. Provisional Patent Application Serial Number 62/330,317, filed on May 2, 2016, which is herein incorporated by reference in its entirety.

10

**BACKGROUND**

Implantable devices such as pacemakers or defibrillators include a housing holding electronics including batteries. The long-term reliability of batteries is a concern.

15

**OVERVIEW**

Example 1 can include an apparatus including a battery stack including a plurality of alternating anodes and cathodes; wherein each of the anodes is positioned between first and second separators, and wherein a tab of the anode extends out from between the first and second separators; and an edge tape extending across a top of the first and second separators.

20

In Example 2, the apparatus of Example 1 can optionally include wherein the edge tape covers over a portion of the tab.

25

In Example 3, the apparatus of any of Examples 1-2 can optionally include wherein the edge tape includes a first tape strip on a first side of the first separator and a second tape strip on an opposite side of the second separator.

In Example 4, the apparatus of any of Examples 1-3 can optionally include a battery case, wherein the battery stack is enclosed within the battery case.

30

In Example 5, the apparatus of any of Examples 1-4 can optionally include a case tape located on an inner surface of the case proximate a feedthrough, wherein the tape at least partially covers the bottom surface of the case and extends to at least partially cover two sidewalls of the case.

In Example 6, the apparatus of any of Examples 1-5 can optionally include wherein the battery stack is enclosed within a soaker pad enclosure.

In Example 7, the apparatus of any of Examples 1-6 can optionally include wherein the cathodes are enclosed in separator bags.

5 In Example 8, the apparatus of any of Examples 1-7 can optionally include wherein the edge tape includes a polyamide tape.

In Example 9, the apparatus of any of Examples 1-8 can optionally include wherein the edge tape includes a tape strip having a first portion and a second portion higher than the first portion, wherein the second, higher portion is  
10 located over the anode tab.

In Example 10, the apparatus of any of Examples 1-9 can optionally include wherein the battery stack includes lithium anodes with a layer of lithium located on a collector and wherein the edge tape is approximately as thick as the layer of lithium.

15 In Example 11 an apparatus can include an implantable housing holding electronics; a battery located within the implantable housing, the battery including a battery case and a battery stack within the case, the battery stack including a plurality of alternating anodes and cathodes, wherein each anode is positioned between first and second separators, and wherein a tab of the anode  
20 extends out from between the first and second separators; an edge tape extending across a top of the first and second separators; and a case tape located on an inner surface of the battery case proximate a feedthrough, wherein the case tape at least partially covers a bottom surface of the case and extends at least partially up two sidewalls of the case.

25 In Example 12 the apparatus of Example 11 can optionally include wherein the edge tape covers over a portion of the tab.

In Example 13, the apparatus of any of Examples 11-12 can optionally include wherein the edge tape includes a first tape strip on a first side of the first separator and a second tape strip on an opposite side of the second separator.

30 In Example 14, the apparatus of any of Examples 11-13 can optionally include wherein the battery stack is enclosed within a soaker pad enclosure.

In Example 15, the apparatus of any of Examples 11-14 can optionally include wherein the cathodes are enclosed in separator bags.

In Example 16, the apparatus of any of Examples 11-15 can optionally include wherein the edge tape includes a tape strip having a first portion and a second portion higher than the first portion, wherein the second, higher portion is located over the anode tab.

5 In Example 17, the apparatus of any of Examples 11-16 can optionally include wherein the battery stack includes lithium anodes with a layer of lithium located on a collector and wherein the edge tape is approximately as thick as the layer of lithium.

10 In Example 18 a method can include stacking a plurality of alternating anodes and cathodes into a battery stack, wherein each anode is positioned between first and second separators, and wherein a tab of the anode extends out from between the first and second separators; and placing an edge tape extending across a top of the first and second separators.

15 In Example 19, the method of Example 18 can optionally include wherein the anode is a lithium anode with lithium located on a collector, and wherein the edge tape is positioned such that it cover a top edge of the collector but does not cover the lithium.

20 In Example 20, the method of any of Examples 18-19 can optionally include providing a battery case; positioning a case tape on an inner surface of the battery case proximate a feedthrough, wherein the case tape at least partially covers a bottom surface of the case and extends at least partially up two sidewalls of the case; and placing the battery stack into the battery case.

25 These examples can be combined in any permutation or combination. This overview is intended to provide an overview of subject matter of the present patent application. It is not intended to provide an exclusive or exhaustive explanation of the invention. The detailed description is included to provide further information about the present patent application.

### BRIEF DESCRIPTION OF THE DRAWINGS

30 In the drawings, which are not necessarily drawn to scale, like numerals may describe similar components in different views. Like numerals having different letter suffixes may represent different instances of similar components.

The drawings illustrate generally, by way of example, but not by way of limitation, various embodiments discussed in the present document.

FIG. 1 shows an implantable medical device in accordance with one  
5 example.

FIG. 2 shows an exploded view of a battery, in accordance with one embodiment.

FIG. 3 shows a top view of the battery stack of FIG. 2.

FIG. 4 shows a top view of an anode in accordance with one example.

10 FIG. 5 shows a close-up view of the anode of FIG. 4.

FIG. 6 shows a case tape, in accordance with one embodiment.

FIG. 7 shows another view of the case tape of FIG. 6.

FIG. 8 shows a perspective view of the case tape within a battery case, in accordance with one embodiment.

15 FIG. 9 shows a perspective view of a battery stack within a soaker pad in accordance with one embodiment.

FIG. 10 shows a perspective view of the unfolded soaker tape of FIG. 9.

FIG. 11 shows a top view of a cathode enclosed with a bag, in accordance with one embodiment.

20

#### DETAILED DESCRIPTION

FIG. 1 shows an implantable medical device 100 in accordance with one example. The implantable medical device 100 includes a metallic housing 110 and an attached header 120. The header 120 includes one or more ports 122 to  
25 receive a terminal pin 124 of an implantable lead 130. The lead 130 is configured to deliver pacing pulses, defibrillation shock energy, or cardioversion therapy to a heart, for example. The implantable medical device 100 can be implanted in a surgically-formed pocket in a patient's chest or other desired location.

30 The implantable medical device 100 generally includes electronic components 142 to perform signal analysis, processing, and control. The implantable medical device 100 can include a power supply such as a battery 150, or a capacitor, and other components housed within housing 110. The

implantable medical device 100 can include microprocessors to provide processing and evaluation to determine and deliver electrical shocks and pulses of different energy levels and timing for ventricular defibrillation, cardioversion, and pacing to a heart in response to cardiac arrhythmia including fibrillation, tachycardia, and bradycardia via one or more electrodes of the lead 130.

This device 100 includes one or more connector blocks 140 that connect to feedthroughs 152 to electrically communicate between the header 120 and the electronics 142 and battery 150 within housing 100. Terminal contacts 126 on terminal 124 contact the connector blocks 140 to electrically communicate with electrodes on the lead 130.

In other examples, the battery packaging subject matter discussed below can be used for other battery-powered device, such as sensors.

FIG. 2 shows an exploded view of the battery 150, in accordance with one embodiment.

The battery 150 can include a metallic case 200 defining a chamber 202 which holds a battery stack 204. In one embodiment, the case 200 can be manufactured from a conductive material, such as stainless steel. The case 20 can include a base 206 and a lid 208 positionable on an upper rim of base 206.

The battery stack 204 can include including a plurality of alternating anodes 210 and cathodes 212. Each of the anodes 212 can be positioned between first and second separators 213, 215, with a tab 218 of the anode 212 extending out from between the first and second separators 213, 215. In an example, the first and second separators 213, 215 can be sealed to form a separator bag 214.

Each cathode 212 can include a cathode tab 216 and each anode 210 can include the anode tab 218. As noted, the anode tabs 218 can extend out of the separator bag 214. An electrolyte is placed in the case 200.

After assembly the cathode tabs 216 are electrically connected to each other and the anode tabs 218 are electrically connected to each other. A feedthrough post 220 can pass through the case 200 to stack 204 and is electrically insulated from case 200. The feedthrough post 220 can be connected to the cathode tabs 216, while the anode tabs 218 can be directly attached to the case 200, which can itself act as the anode terminal. In some embodiments, these roles are reversed

and the cathode tab can be connected to the case and the anode tab can connect to a feedthrough. In some embodiments, two feedthroughs can be provided, one for the anode and one for the cathode.

FIG. 3 shows a top view of the battery stack 204. In one example, the  
5 anodes 210 can be formed of a lithium layer on a collector, such as a nickel collector. The cathodes 212 can be formed of a cathode material, such as  $\text{MnO}_2$ , coated to a stainless steel wire-mesh collector.

One problem with lithium batteries is minimizing lithium cluster growth in the battery. The lithium cluster growth can initiate where electrolyte pooling  
10 is in contact with the anodic surface. In some examples, the pooling and cluster growth can form anywhere within the separator/anode assembly. For example, two areas of lithium cluster growth problems are in the area 302 where the anode tabs 218 come together where a lithium growth can be formed. Also, sometimes an anodic cluster can burst through the separator at an area 304 near the cathode  
15 tabs 216 and contact the cathode tab 216, causing a short circuit.

The present discussion includes various packaging methods to prevent and minimize lithium cluster growths in the battery stack 204.

FIG. 4 shows a top view of the anode 218, in accordance with one  
20 example; and FIG. 5 shows a close-up view of an upper portion of the anode 210.

As discussed, each anode 210 can be positioned between first and second separators which can be sealed to form a sealed separator bag 214. Various  
25 embodiments include separator bags 214 made of a pair of separator layers. The bag is formed around the anode 210 by providing two layers of the separator layers and forming an edge weld seal around the perimeter of the separator layers, forming the separator bag 214. Other separator layers, including additional materials, are within the scope of the present subject matter. An unwelded portion of the separator bag 214 allows tab 218 to extend  
therethrough.

30 A problem can arise when electrolyte pools along the upper portion of the anode 210 between the anode 210 and the sealed edge 310 of the separator bag 214. In one embodiment, an edge tape 312 is positioned extending across a top of the first and second separators of separator bag 214 and the top of anode

210. The edge tape 312 can include a first tape strip 314 on a first side of the first separator of separator bag 214 and a second tape strip 316 on an opposite, second side of the second separator of the separator bag 214. The pair of tape strips 314, 316 are mirror images of each other. In an example, the edge tape  
5 312 can include a polyamide tape, or other suitable tape. In one example, the edge tape 312 can be approximately as thick as the thickness of the layer of lithium of the anode. In another example, a single edge tape 312 is used that can wrap around the anode 210 and extend across a top of the first and second separators of separator bag 214 and the top of anode 210

10 By extending the edge tape 312 across the entire top portion of the separator bag 214, pooling of electrolyte inside the separator bag 214 along the top edge of the anode 218 can be minimized, thus reducing cluster growth.

The edge tape 312 can include a first portion 320 and a second portion 322 that is higher than the first portion 320. The second, higher portion 322 is  
15 located over the anode tab 218. In one example, the edge tape 312 can be positioned such that it covers a top edge of a collector 330 but does not cover a lithium layer 332.

Another technique to minimize results of lithium cluster growth includes providing a case tape. FIG. 6 shows a case tape 400, in accordance with one  
20 embodiment. FIG. 7 shows another view of the case tape 400 folded for insertion into the case; and FIG. 8 shows a perspective view of the case tape 400 within the battery case 200.

The case tape 400 can include a generally irregular shape and can be modified depending on the shape of the battery case. Here, when folded, the  
25 case tape 400 has two edges 402 and 404 that curve upward relative to a main portion 406 of the case tape. When the case tape 400 is placed within the case the case tape 400 is positioned and located on an inner surface 410 of the case proximate the feedthrough 220, and the case tape 400 at least partially covers the bottom surface 412 of the case 200 and extends to at least partially cover two  
30 sidewalls 414 and 416 of the case 200. In one example, the open side wall area proximate the feedthrough 220 can further be covered with a medical adhesive to seal the anodic battery case surface where the case tape 400 does not cover.

This enlarged case tape 400 prevents any electrolyte pooling from touching the anodic surface, thus minimizing lithium clusters from forming.

FIG. 9 shows a perspective view of the battery stack 204 within a soaker pad assembly 500 in accordance with one embodiment. FIG. 10 shows a perspective view of the unfolded soaker pad assembly 500.

The soaker pad assembly 500 includes an internal soaker pad 502, which can be formed of CELGARD, or other suitable material, and an external tape 504, which can be formed of polyamide tape or other suitable tape. The assembly 500 can be designed to be wrapped around the battery stack 204 so that the soaker pad 502 is adjacent the edges of the stack 204. A middle hole 506 can be cut-out of the soaker pad assembly to improve electrolyte wetting of the battery stack. A plurality of fingers 510 are formed in each of the tape 504 and the soaker pad 502 to provide the proper shape when the assembly 500 is wrapped around the stack 204.

The soaker pad assembly 500 is designed to soak or wick up electrolyte from the anode separator bag perimeter. This can help prevent lithium growth clusters. Moreover, by displacing electrolyte away from the anode perimeter, the soaker bag assembly 500 allows for more electrolyte to be housed around the cathodes. This allows the battery to have access to more electrolyte later in the battery's life cycle.

FIG. 11 shows a top view of the cathode 212 enclosed within a bag 600, in accordance with one embodiment.

In this example, the cathode is also enclosed within a separator bag with the tab extending out of the bag 600. By using bag 600, the electrolyte from the anode can be better held by the cathode to prevent pooling and to help prevent lithium cluster growth.

In forming a battery using one or more of these techniques described above, a battery stack is formed by stacking a plurality of alternating anodes and cathodes into a battery stack. In an example, each anode is enclosed in a separator bag, with a tab of the anode extends out of the separator bag. An edge tape is positioned so as to extend across a top of the separator bag. The edge tape can be positioned such that the edge tape covers a top edge of the anode collector but does not cover the lithium portion.

Another optional technique is to position a case tape on an inner surface of the battery case proximate the feedthrough. The case tape is sized and positioned such that the case tape at least partially covers a bottom surface of the case and extends at least partially up two sidewalls of the case.

5 Another optional technique is placing the battery stack into a soaker bag assembly prior to inserting the stack into the battery case. Optionally, the cathode can also be bagged.

In various embodiments, any one or all 4 or any combination of these techniques can be used to help minimize lithium cluster growth.

10

#### Additional Notes

The above detailed description includes references to the accompanying drawings, which form a part of the detailed description. The drawings show, by way of illustration, specific embodiments in which the invention can be practiced. These embodiments are also referred to herein as “examples.” Such examples can include elements in addition to those shown or described. However, the present inventors also contemplate examples in which only those elements shown or described are provided. Moreover, the present inventors also contemplate examples using any combination or permutation of those elements shown or described (or one or more aspects thereof), either with respect to a particular example (or one or more aspects thereof), or with respect to other examples (or one or more aspects thereof) shown or described herein.

20 All publications, patents, and patent documents referred to in this document are incorporated by reference herein in their entirety, as though individually incorporated by reference. In the event of inconsistent usages between this document and those documents so incorporated by reference, the usage in the incorporated reference(s) should be considered supplementary to that of this document; for irreconcilable inconsistencies, the usage in this document controls.

30 In this document, the terms “a” or “an” are used, as is common in patent documents, to include one or more than one, independent of any other instances or usages of “at least one” or “one or more.” In this document, the term “or” is used to refer to a nonexclusive or, such that “A or B” includes “A but not B,” “B

but not A,” and “A and B,” unless otherwise indicated. In the appended claims, the terms “including” and “in which” are used as the plain-English equivalents of the respective terms “comprising” and “wherein.” Also, in the following claims, the terms “including” and “comprising” are open-ended, that is, a  
5 system, device, article, or process that includes elements in addition to those listed after such a term in a claim are still deemed to fall within the scope of that claim. Moreover, in the following claims, the terms “first,” “second,” and “third,” etc. are used merely as labels, and are not intended to impose numerical requirements on their objects.

THE CLAIMED INVENTION IS:

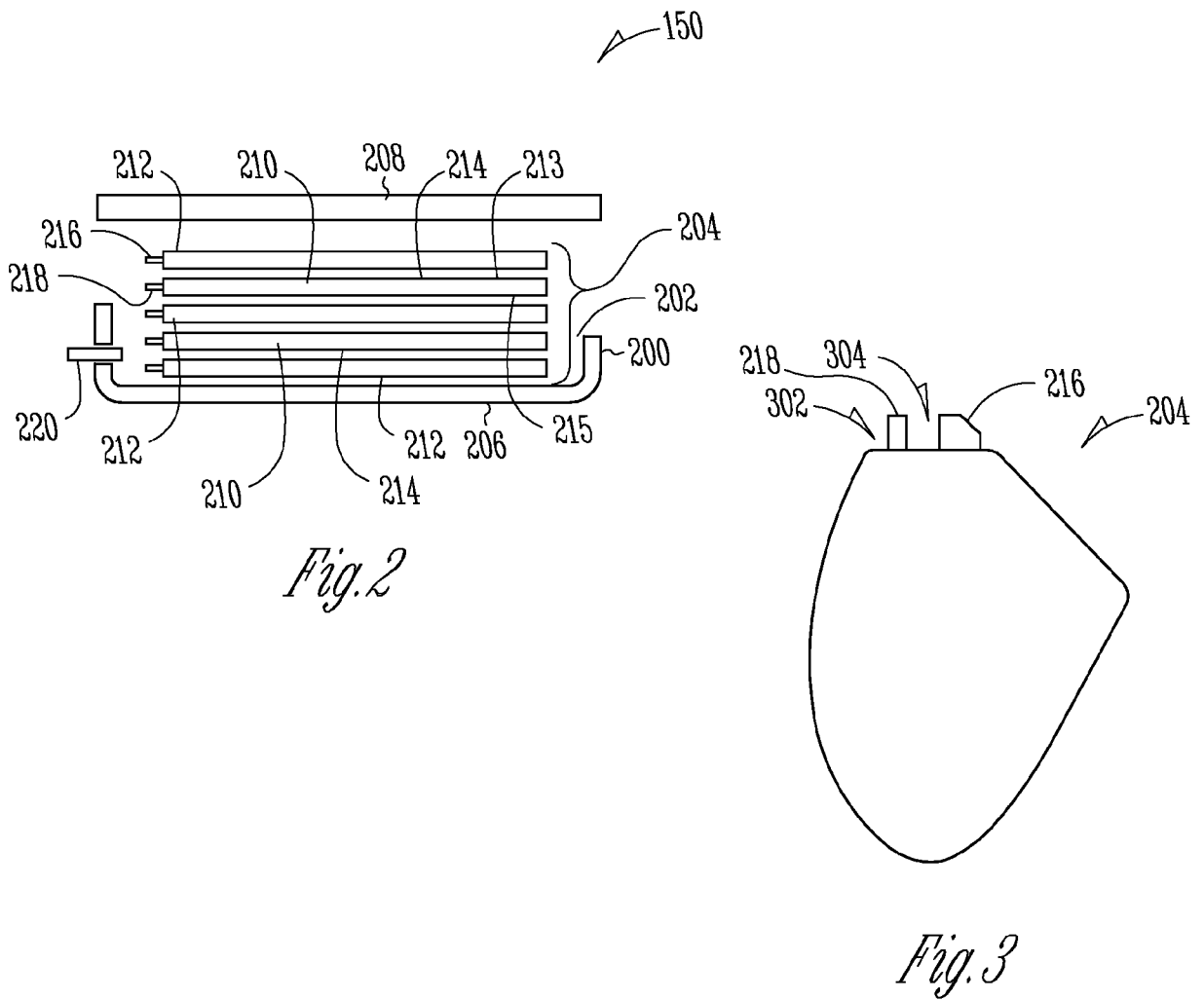
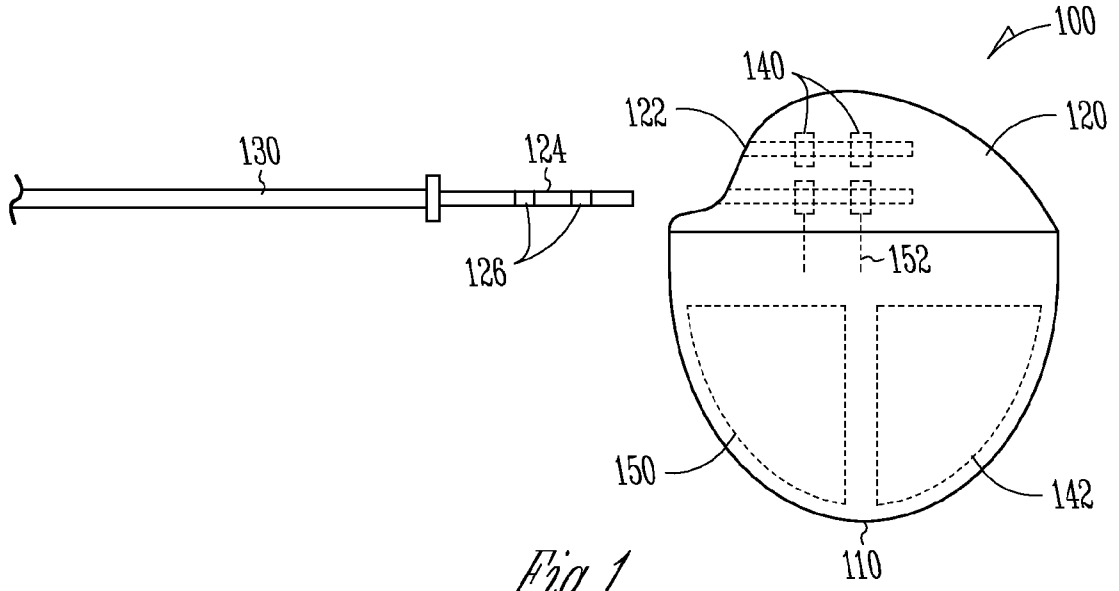
1. An apparatus comprising:  
a battery stack including a plurality of alternating anodes and cathodes;  
wherein each of the anodes is positioned between first and second separators, and wherein a tab of the anode extends out from between the first and second separators; and  
an edge tape extending across a top of the first and second separators.
2. The apparatus of claim 1, wherein the edge tape covers over a portion of the tab.
3. The apparatus of any of claims 1-2, wherein the edge tape includes a first tape strip on a first side of the first separator and a second tape strip on an opposite side of the second separator.
4. The apparatus of any of claims 1-3, further including a battery case, wherein the battery stack is enclosed within the battery case, and including a case tape located on an inner surface of the case proximate a feedthrough, wherein the tape at least partially covers the bottom surface of the case and extends to at least partially cover two sidewalls of the case.
5. The apparatus of any of claims 1-4, wherein the battery stack is enclosed within a soaker pad enclosure.
6. The apparatus of any of claims 1-5, wherein the cathodes are enclosed in separator bags.
7. The apparatus of any of claims 1-6, wherein the edge tape includes a tape strip having a first portion and a second portion higher than the first portion, wherein the second, higher portion is located over the anode tab.

8. The apparatus of any of claims 1-7, wherein the battery stack includes lithium anodes with a layer of lithium located on a collector and wherein the edge tape is approximately as thick as the layer of lithium.
9. An apparatus comprising:
  - an implantable housing holding electronics;
  - a battery located within the implantable housing, the battery including a battery case and a battery stack within the case, the battery stack including a plurality of alternating anodes and cathodes, wherein each anode is positioned between first and second separators, and wherein a tab of the anode extends out from between the first and second separators;
  - an edge tape extending across a top of the first and second separators;and
  - a case tape located on an inner surface of the battery case proximate a feedthrough, wherein the case tape at least partially covers a bottom surface of the case and extends at least partially up two sidewalls of the case.
10. The apparatus of claim 9, wherein the edge tape includes a first tape strip on a first side of the first separator and a second tape strip on an opposite side of the second separator.
11. The apparatus of any of claims 9-10, wherein the battery stack is enclosed within a soaker pad enclosure.
12. The apparatus of any of claims 9-11, wherein the cathodes are enclosed in separator bags.
13. A method comprising:
  - stacking a plurality of alternating anodes and cathodes into a battery stack, wherein each anode is positioned between first and second separators, and wherein a tab of the anode extends out from between the first and second separators; and

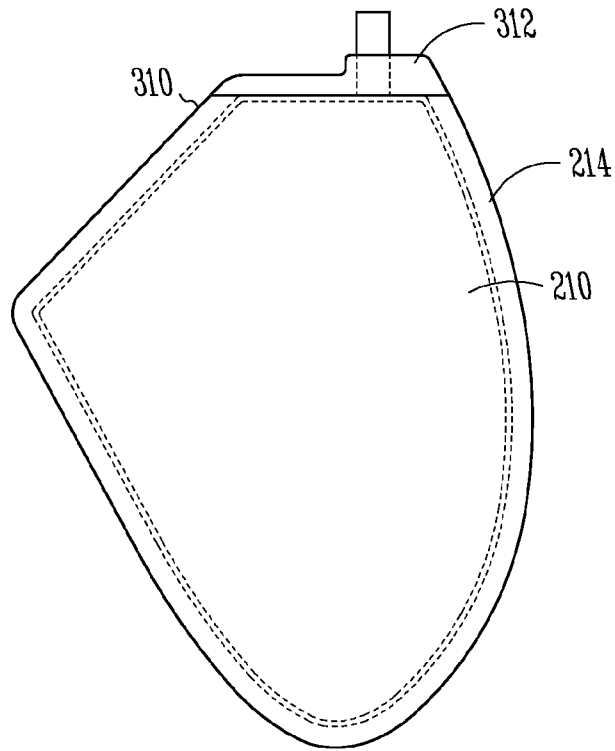
placing an edge tape extending across a top of the first and second separators.

14. The method of claim 13, wherein the anode is a lithium anode with lithium located on a collector, and wherein the edge tape is positioned such that it covers a top edge of the collector but does not cover the lithium.

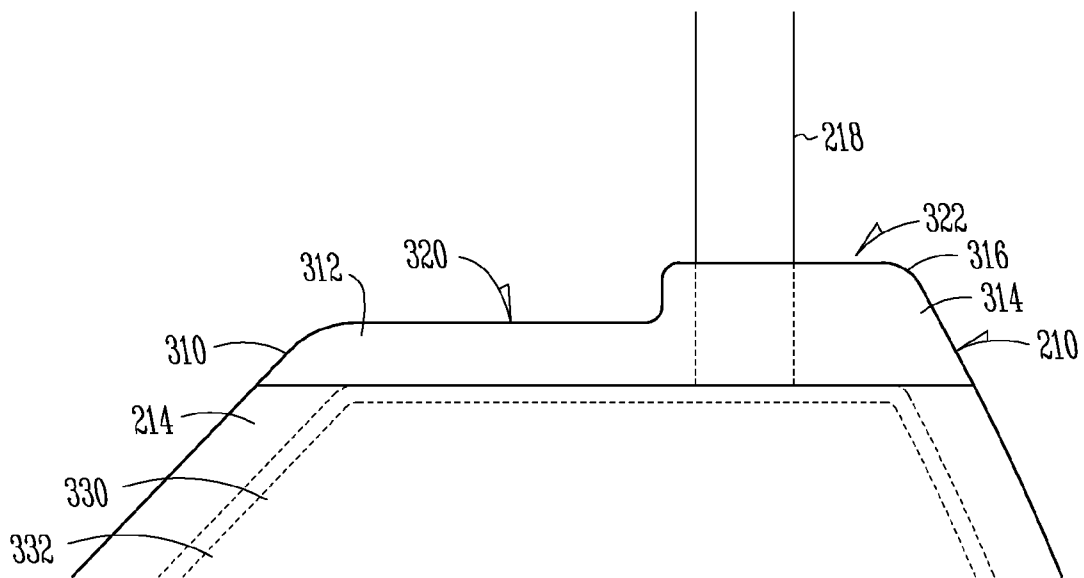
15. The method of any of claims 13-14, further comprising:  
providing a battery case;  
positioning a case tape on an inner surface of the battery case proximate a feedthrough, wherein the case tape at least partially covers a bottom surface of the case and extends at least partially up two sidewalls of the case; and  
placing the battery stack into the battery case.



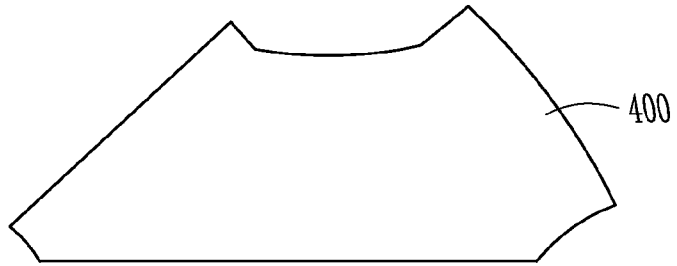
2/5



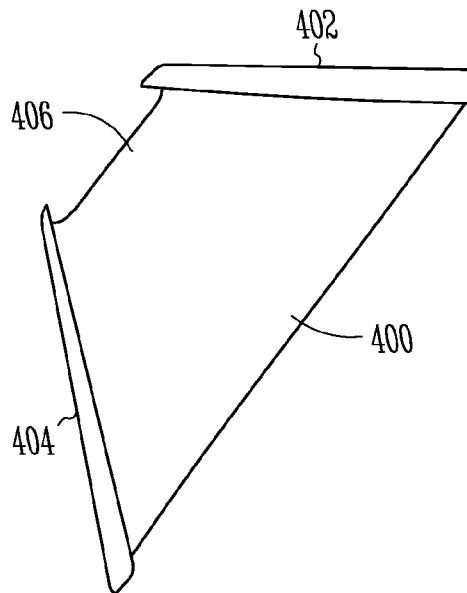
*Fig. 4*



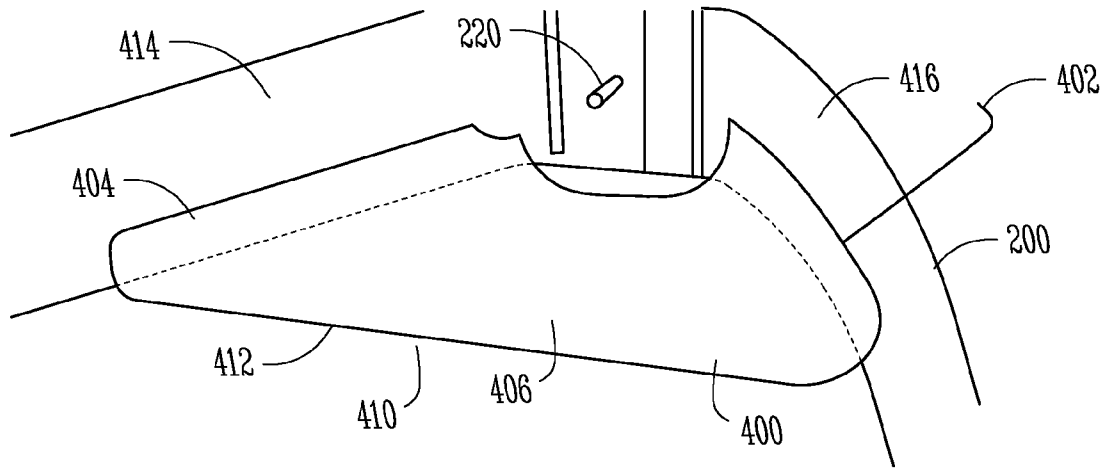
*Fig. 5*



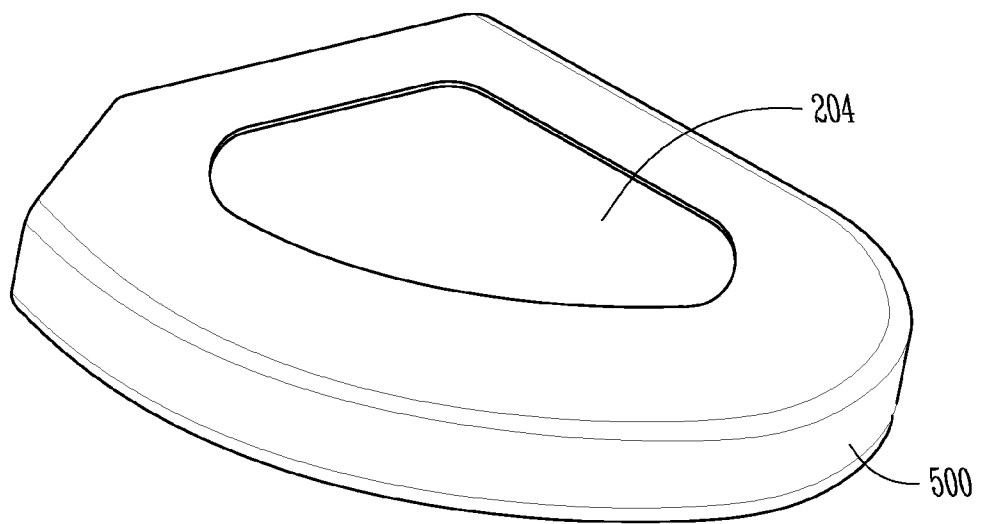
*Fig. 6*



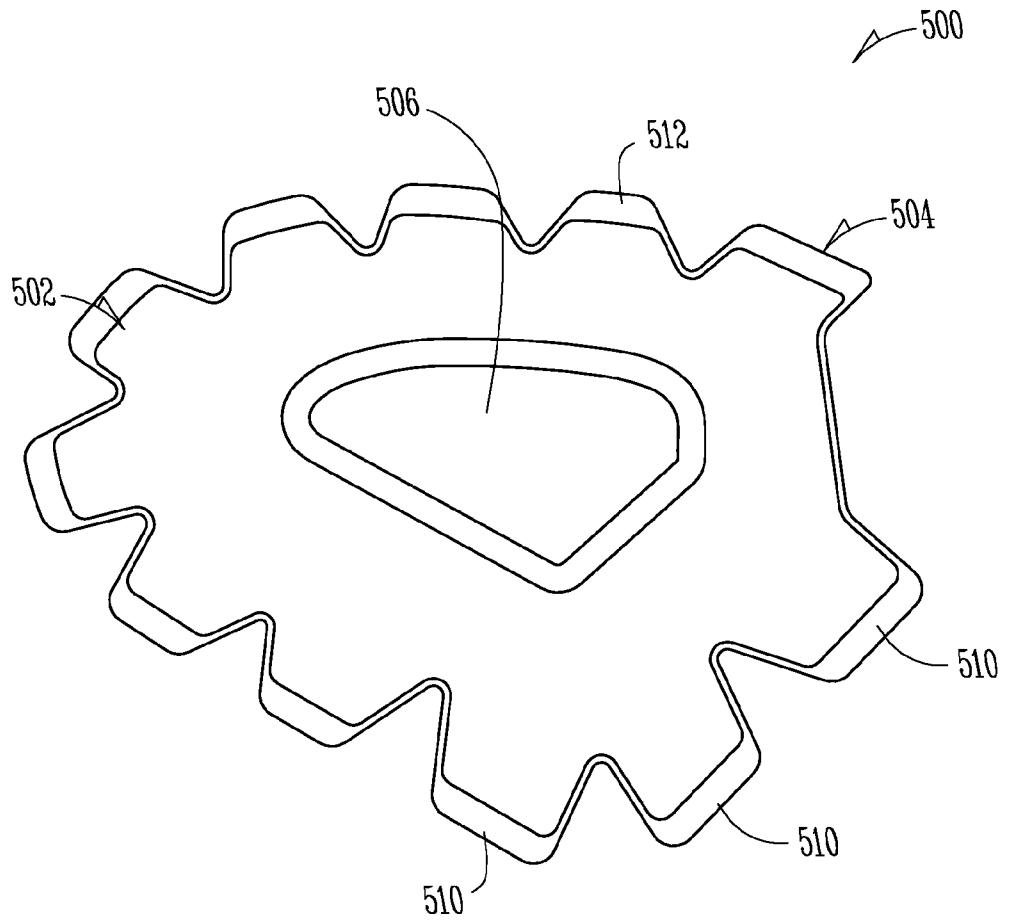
*Fig. 7*



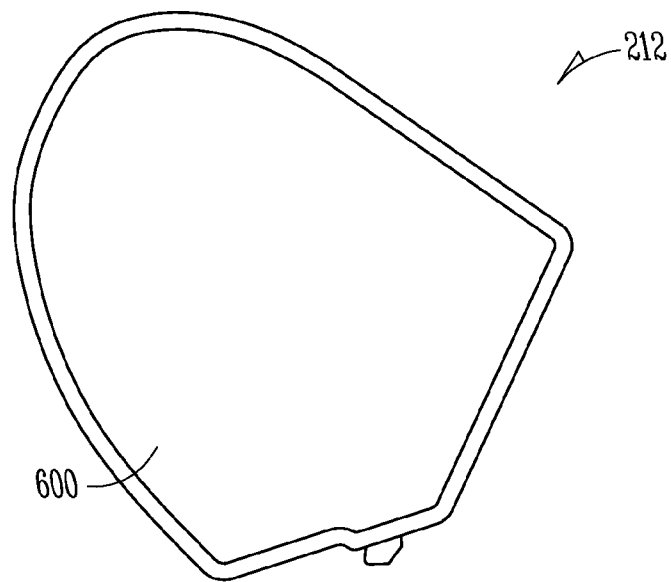
*Fig. 8*



*Fig. 9*



*Fig. 10*



*Fig. 11*



## INTERNATIONAL SEARCH REPORT

International application No

PCT/US2017/030422

C(Continuation). DOCUMENTS CONSIDERED TO BE RELEVANT		
Category*	Citation of document, with indication, where appropriate, of the relevant passages	Relevant to claim No.
X Y	US 2004/127952 A1 (O'PHELAN MICHAEL J [US] ET AL) 1 July 2004 (2004-07-01) paragraph [0168] - paragraph [0180]; figures 26-36 abstract paragraph [0172]; figure 27 paragraph [0173] - paragraph [0175]; figures 27-31 paragraph [0173]; figure 27 paragraph [0095] - paragraph [0096]; figure 1 paragraph [0165] - paragraph [0167]; figure 34 paragraph [0182]; figure 34 paragraph [0002] - paragraph [0005] paragraph [0094] - paragraph [0096]; figure 1 -----	1,4-9, 11-13,15 10
X	US 2011/151332 A1 (MORGAN ADAM [US] ET AL) 23 June 2011 (2011-06-23) paragraph [0021] abstract paragraph [0033] - paragraph [0036] figure 4 claims 1-5 paragraph [0007] - paragraph [0008]; figures 3-4 paragraph [0042]; figure 2 figures 3-4 paragraph [0020] - paragraph [0046] paragraph [0045] - paragraph [0046]; figure 3 -----	1,13,14
A	US 2006/012943 A1 (SHERWOOD GREGORY J [US]) 19 January 2006 (2006-01-19) paragraph [0030] -----	1-15
A	US 2009/259265 A1 (STEVENSON ROBERT A [US] ET AL) 15 October 2009 (2009-10-15) paragraph [0165] - paragraph [0167]; figures 27-30 paragraph [0185]; figures 43-46 -----	1-15

# INTERNATIONAL SEARCH REPORT

Information on patent family members

International application No PCT/US2017/030422
---

Patent document cited in search report	Publication date	Patent family member(s)	Publication date
US 2015147626 A1	28-05-2015	CN 105765763 A	13-07-2016
		JP 2015128057 A	09-07-2015
		KR 20160091959 A	03-08-2016
		US 2015147626 A1	28-05-2015
		WO 2015079365 A1	04-06-2015
-----			
US 2004127952 A1	01-07-2004	AU 2003300138 A1	29-07-2004
		EP 1590843 A2	02-11-2005
		EP 2287950 A2	23-02-2011
		EP 2306566 A1	06-04-2011
		EP 2309575 A1	13-04-2011
		EP 2309576 A1	13-04-2011
		EP 2320509 A1	11-05-2011
		EP 2323198 A1	18-05-2011
		EP 2323207 A1	18-05-2011
		EP 2323211 A1	18-05-2011
		ES 2446320 T3	07-03-2014
		ES 2527930 T3	02-02-2015
		ES 2527933 T3	02-02-2015
		ES 2531973 T3	23-03-2015
		ES 2531975 T3	23-03-2015
		JP 4855071 B2	18-01-2012
		JP 2006512745 A	13-04-2006
		US 2004127952 A1	01-07-2004
		US 2009123825 A1	14-05-2009
		US 2010203380 A1	12-08-2010
WO 2004062009 A2	22-07-2004		
-----			
US 2011151332 A1	23-06-2011	US 2007099071 A1	03-05-2007
		US 2011151332 A1	23-06-2011
-----			
US 2006012943 A1	19-01-2006	NONE	
-----			
US 2009259265 A1	15-10-2009	EP 2194548 A2	09-06-2010
		US 2009259265 A1	15-10-2009
-----			