

(19) World Intellectual Property Organization
International Bureau



(43) International Publication Date
24 January 2008 (24.01.2008)

PCT

(10) International Publication Number
WO 2008/011351 A3

- (51) International Patent Classification:
A61B 18/00 (2006.01) A61B 18/04 (2006.01)
- (21) International Application Number:
PCT/US2007/073516
- (22) International Filing Date: 13 July 2007 (13.07.2007)
- (25) Filing Language: English
- (26) Publication Language: English
- (30) Priority Data:
60/807,815 19 July 2006 (19.07.2006) US
- (71) Applicant (for all designated States except US): BOSTON SCIENTIFIC SCIMED, INC. [US/US]; One Scimed Place, Maple Grove, Minnesota 55311-1566 (US).
- (72) Inventors; and
- (75) Inventors/Applicants (for US only): OYOLA, Arnold [US/US]; 405 Whitney Street, Northborough, Massachusetts 01532 (US). BUISER, Marcia [US/US]; 262 Main Street, #1, Watertown, Massachusetts 02472 (US). DI-CARLO, Paul [US/US]; 10 Starrett Avenue, Middleboro, Massachusetts 02346 (US).
- (74) Agents: BURSE, David, T. et al.; Vista IP Law Group LLP, 2040 Main Street, 9th Floor, Irvine, California 92614 (US).

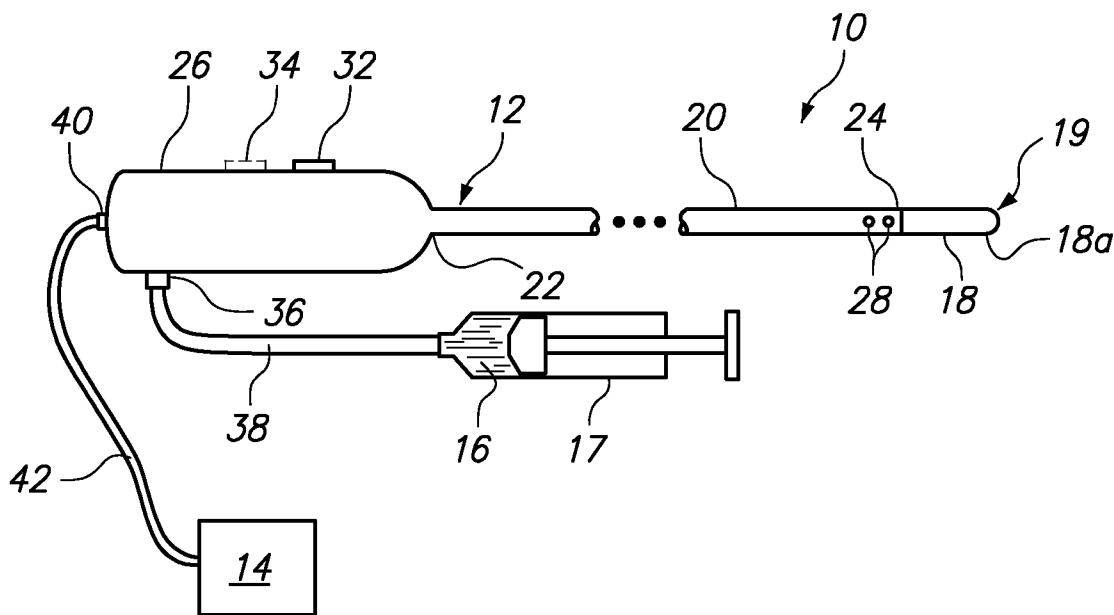
- (81) Designated States (unless otherwise indicated, for every kind of national protection available): AE, AG, AL, AM, AT, AU, AZ, BA, BB, BG, BH, BR, BW, BY, BZ, CA, CH, CN, CO, CR, CU, CZ, DE, DK, DM, DO, DZ, EC, EE, EG, ES, FI, GB, GD, GE, GH, GM, GT, HN, HR, HU, ID, IL, IN, IS, JP, KE, KG, KM, KN, KP, KR, KZ, LA, LC, LK, LR, LS, LT, LU, LY, MA, MD, ME, MG, MK, MN, MW, MX, MY, MZ, NA, NG, NI, NO, NZ, OM, PG, PH, PL, PT, RO, RS, RU, SC, SD, SE, SG, SK, SL, SM, SV, SY, TJ, TM, TN, TR, TT, TZ, UA, UG, US, UZ, VC, VN, ZA, ZM, ZW.
- (84) Designated States (unless otherwise indicated, for every kind of regional protection available): ARIPO (BW, GH, GM, KE, LS, MW, MZ, NA, SD, SL, SZ, TZ, UG, ZM, ZW), Eurasian (AM, AZ, BY, KG, KZ, MD, RU, TJ, TM), European (AT, BE, BG, CH, CY, CZ, DE, DK, EE, ES, FI, FR, GB, GR, HU, IE, IS, IT, LT, LU, LV, MC, MT, NL, PL, PT, RO, SE, SI, SK, TR), OAPI (BF, BJ, CF, CG, CI, CM, GA, GN, GQ, GW, ML, MR, NE, SN, TD, TG).

Published:

- with international search report
- before the expiration of the time limit for amending the claims and to be republished in the event of receipt of amendments

[Continued on next page]

(54) Title: APPARATUS FOR TISSUE RESECTION



(57) Abstract: A resection device includes an elongated probe shaft and a tissue resection member disposed at a distal end of the elongated probe shaft. The tissue resection member has a cutting surface configured for being placed in contact with tissue. In one embodiment of the invention, at least one ejection port is located adjacent to the cutting surface of the tissue resection member, wherein the at least one ejection port is coupled to a source of a polymerizable hemostasis-promoting material that is delivered to the resection site of interest. In certain embodiments, polymerization of the hemostasis-promoting material may be accelerated by application of heat, radiofrequency energy, or ultra violet light.

WO 2008/011351 A3



(88) Date of publication of the international search report:
6 March 2008

INTERNATIONAL SEARCH REPORT

International application No
PCT/US2007/073516A. CLASSIFICATION OF SUBJECT MATTER
INV. A61B18/00 A61B18/04

According to International Patent Classification (IPC) or to both national classification and IPC

B. FIELDS SEARCHED

Minimum documentation searched (classification system followed by classification symbols)
A61B

Documentation searched other than minimum documentation to the extent that such documents are included in the fields searched

Electronic data base consulted during the international search (name of data base and, where practical, search terms used)

EPO-Internal

C. DOCUMENTS CONSIDERED TO BE RELEVANT

Category*	Citation of document, with indication, where appropriate, of the relevant passages	Relevant to claim No.
X	WO 02/054941 A (RITA MEDICAL SYSTEMS INC [US]; DANIEL STEVEN A [US]; BALBIERZ DANIEL J) 18 July 2002 (2002-07-18) page 7, line 16 - line 30 page 14, line 26 - line 30; figures 7F,7H page 16, line 1 - line 27; figures 10,11 page 26, line 29 - page 27, line 10 page 50, line 31 - page 51, line 13 page 43, line 14 - line 20	1-3,6,7, 11,12
A		4,5, 8-10, 13-25
A	WO 95/10328 A (SCIMED LIFE SYSTEMS INC [US]) 20 April 1995 (1995-04-20) page 3, line 7 - page 6, line 24; figures 1,2	1,13,21
	----- -/--	

 Further documents are listed in the continuation of Box C. See patent family annex.

* Special categories of cited documents:

- *A* document defining the general state of the art which is not considered to be of particular relevance
- *E* earlier document but published on or after the international filing date
- *L* document which may throw doubts on priority claim(s) or which is cited to establish the publication date of another citation or other special reason (as specified)
- *O* document referring to an oral disclosure, use, exhibition or other means
- *P* document published prior to the international filing date but later than the priority date claimed

- *T* later document published after the international filing date or priority date and not in conflict with the application but cited to understand the principle or theory underlying the invention
- *X* document of particular relevance; the claimed invention cannot be considered novel or cannot be considered to involve an inventive step when the document is taken alone
- *Y* document of particular relevance; the claimed invention cannot be considered to involve an inventive step when the document is combined with one or more other such documents, such combination being obvious to a person skilled in the art.
- *&* document member of the same patent family

Date of the actual completion of the international search

4 January 2008

Date of mailing of the international search report

15/01/2008

Name and mailing address of the ISA/

European Patent Office, P.B. 5818 Patentlaan 2
NL - 2280 HV Rijswijk
Tel. (+31-70) 340-2040, Tx. 31 651 epo nl,
Fax: (+31-70) 340-3016

Authorized officer

Filali, Salima

INTERNATIONAL SEARCH REPORT

International application No

PCT/US2007/073516

C(Continuation). DOCUMENTS CONSIDERED TO BE RELEVANT

Category*	Citation of document, with indication, where appropriate, of the relevant passages	Relevant to claim No.
A	US 2002/165593 A1 (HAYASHI REID [US] ET AL) 7 November 2002 (2002-11-07) paragraph [0007] paragraph [0014] - paragraph [0017] paragraph [0038]; figures 5a,5b -----	1-3,13, 21
A	US 2004/204728 A1 (HAEFNER PAUL [US]) 14 October 2004 (2004-10-14) paragraph [0040] -----	1,13,21
A	US 5 122 147 A (SEWELL JR FRANK K [US]) 16 June 1992 (1992-06-16) column 6, line 6 - line 26 -----	1,13,21

INTERNATIONAL SEARCH REPORT

Information on patent family members

International application No

PCT/US2007/073516

Patent document cited in search report		Publication date	Patent family member(s)	Publication date
WO 02054941	A	18-07-2002	CA 2434151 A1	18-07-2002
			EP 1363700 A2	26-11-2003
			JP 2004523272 T	05-08-2004
			US 2002133148 A1	19-09-2002
			US 2004059328 A1	25-03-2004
WO 9510328	A	20-04-1995	US 5860948 A	19-01-1999
US 2002165593	A1	07-11-2002	NONE	
US 2004204728	A1	14-10-2004	NONE	
US 5122147	A	16-06-1992	NONE	