

[54] **THERAPEUTIC EXERCISING MACHINE**

[76] **Inventor:** Fred E. Knief, P.O. Box 836, San Andreas, Calif. 95249

[**] **Term:** 14 Years

[21] **Appl. No.:** 621,277

[22] **Filed:** Jun. 15, 1984

[52] **U.S. Cl.** D21/194

[58] **Field of Search** D21/194; 272/70.3, 73, 272/132, DIG. 6; 73/379; 128/363, 364

[56] **References Cited**

U.S. PATENT DOCUMENTS

D. 229,077 11/1973 Scalingi et al. D21/194
4,222,376 9/1980 Praprotnik 272/73

OTHER PUBLICATIONS

Sporting Goods Dealer, 4-1980, p. 26, Exercycle.
Sporting Goods Dealer, 8-1982, p. 53, "The Rower".

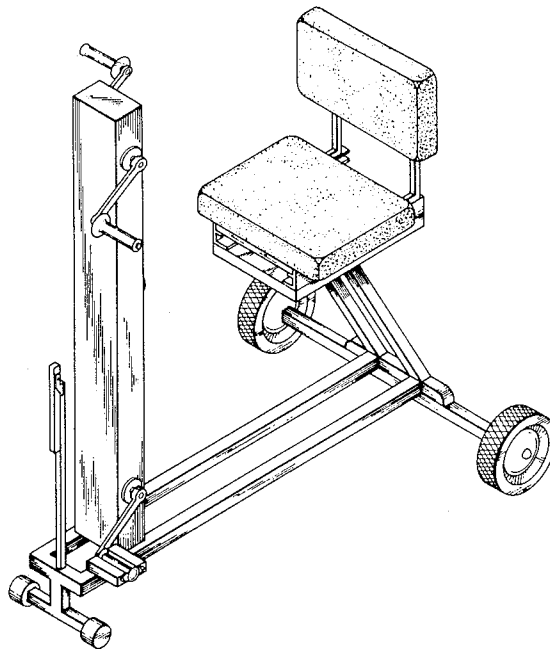
Primary Examiner—Charles A. Rademaker
Attorney, Agent, or Firm—Lothrop & West

[57] **CLAIM**

The ornamental design for a therapeutic exercising machine, as shown and described.

DESCRIPTION

FIG. 1 is a perspective view of a therapeutic exercising machine, showing my new design;
FIG. 2 is an elevational view of one side, the opposite side being a mirror image thereof;
FIG. 3 is a rear elevational view, thereof;
FIG. 4 is a front elevational view thereof;
FIG. 5 is a top plan view thereof; and,
FIG. 6 is a bottom plan view thereof.



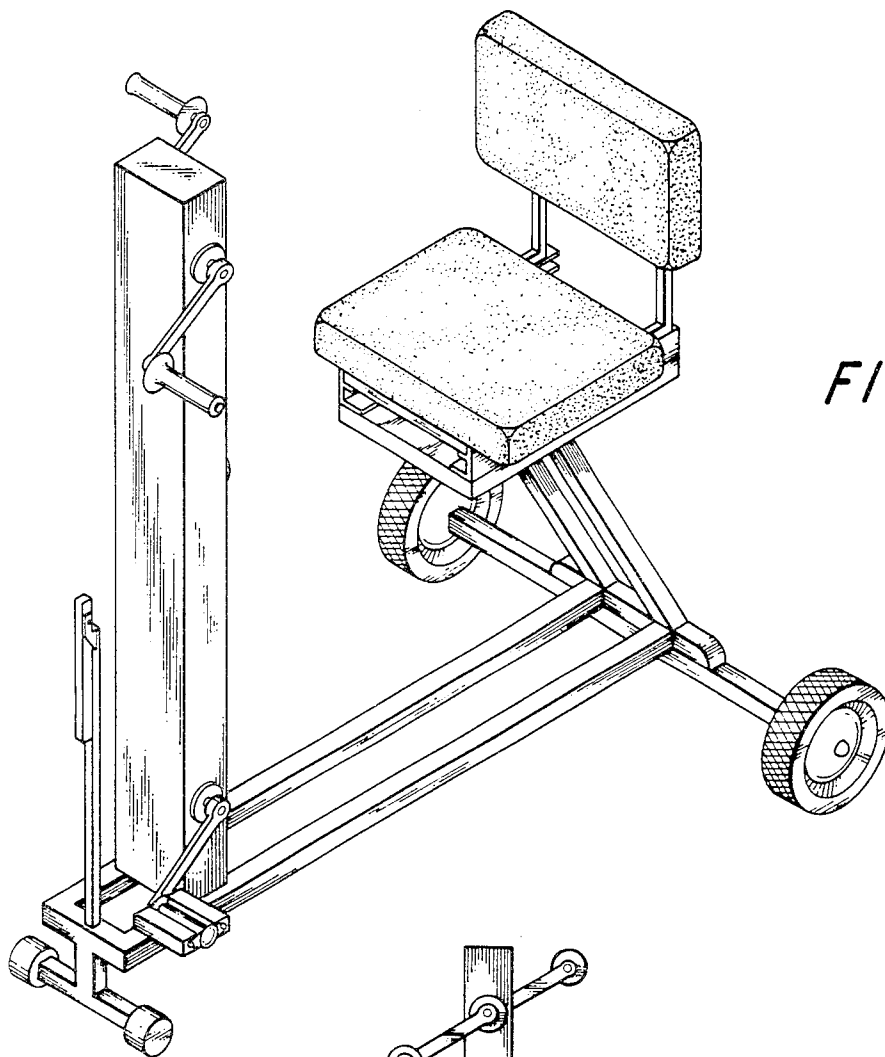
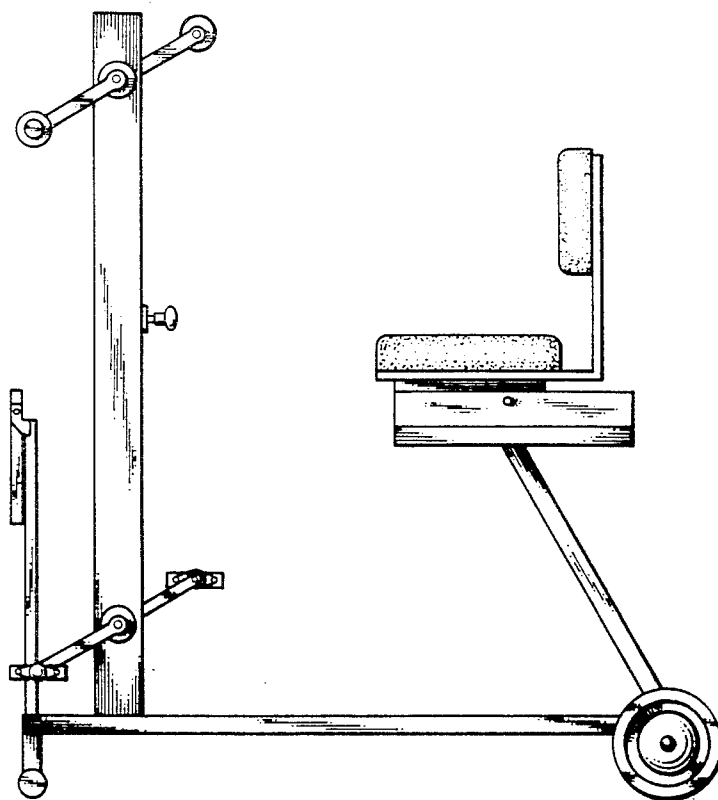


FIG. 1.

FIG. 2.



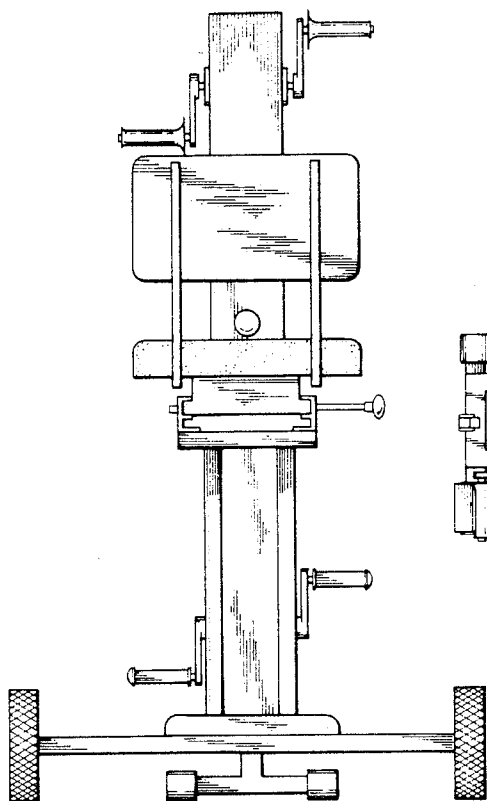


FIG. 3.

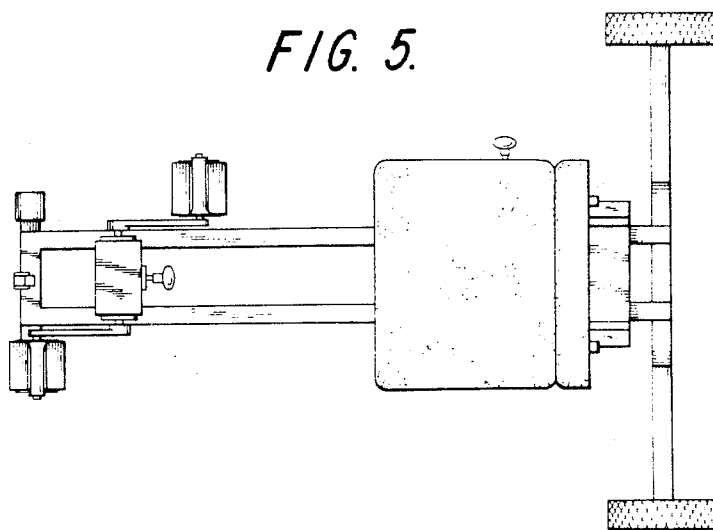


FIG. 5.

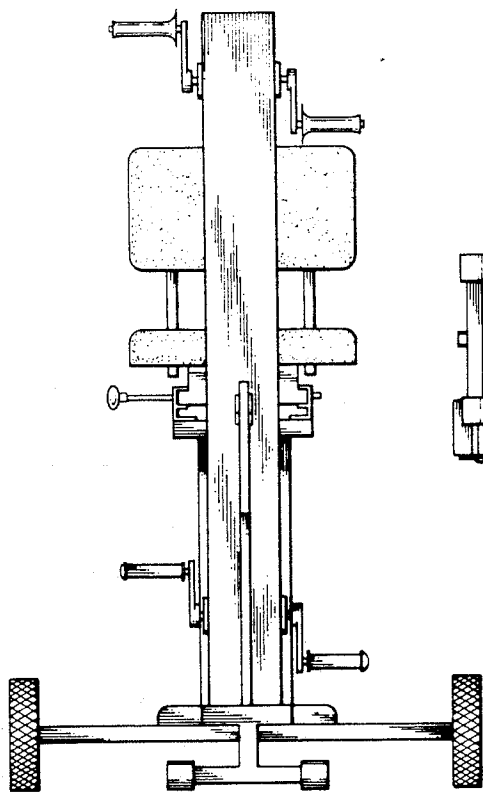


FIG. 4.

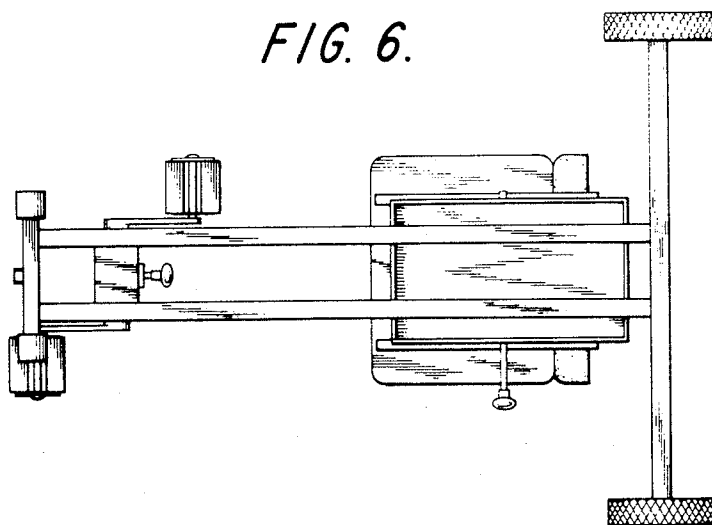


FIG. 6.