



US00D674709S

(12) **United States Design Patent**
Akana et al.

(10) **Patent No.:** **US D674,709 S**

(45) **Date of Patent:** **** Jan. 22, 2013**

(54) **PACKAGING**

229/152, 181.1, 185.1, 186, 201, 917, 922,
229/923, 930-933, 935, 937, 939, 942; 220/796
See application file for complete search history.

(75) Inventors: **Jody Akana**, San Francisco, CA (US);
Bartley K. Andre, Menlo Park, CA
(US); **Jeremy Bataillou**, San Francisco,
CA (US); **Daniel J. Coster**, San
Francisco, CA (US); **Daniele De Iuliis**,
San Francisco, CA (US); **Evans**
Hankey, San Francisco, CA (US);
Richard P. Howarth, San Francisco, CA
(US); **Jonathan P. Ive**, San Francisco,
CA (US); **Duncan Robert Kerr**, San
Francisco, CA (US); **Shin Nishibori**,
Kailua, HI (US); **Matthew Dean**
Rohrbach, San Francisco, CA (US);
Peter Russell-Clarke, San Francisco,
CA (US); **Christopher J. Stringer**,
Woodside, CA (US); **Eugene Antony**
Whang, San Francisco, CA (US); **Rico**
Zorkendorfer, San Francisco, CA (US)

(56) **References Cited**

U.S. PATENT DOCUMENTS

D22,290 S *	3/1893	Burnworth	D9/737
D168,664 S *	1/1953	Van Dyke	D9/737
3,324,999 A	6/1967	Farquhar		
3,347,445 A	10/1967	Wood		
3,802,555 A	4/1974	Grasty et al.		
3,850,333 A	11/1974	Reichert		
D237,315 S	10/1975	Nowakowski et al.		
D237,317 S	10/1975	Nowakowski et al.		
3,931,923 A	1/1976	Thurston		
4,085,845 A	4/1978	Perfect		
D248,731 S	8/1978	Ogawa		
D255,310 S	6/1980	Spencer		
D280,290 S	8/1985	Bakus		
D294,459 S	3/1988	Wendel		
4,739,353 A	4/1988	Heuer et al.		
D310,488 S	9/1990	Callinan		
4,993,547 A	2/1991	Pallasch et al.		
D318,420 S	7/1991	Amelse		
D323,986 S	2/1992	Ferrero		
D339,059 S	9/1993	Koehler		

(Continued)

(73) Assignee: **Apple Inc.**, Cupertino, CA (US)

(**) Term: **14 Years**

(21) Appl. No.: **29/426,064**

(22) Filed: **Jun. 29, 2012**

Related U.S. Application Data

(63) Continuation of application No. 29/363,816, filed on Jun. 15, 2010, now Pat. No. Des. 662,835, which is a continuation-in-part of application No. 29/354,604, filed on Jan. 26, 2010, now abandoned.

(51) **LOC (9) Cl.** **09-03**

(52) **U.S. Cl.** **D9/737; D9/432**

(58) **Field of Classification Search** D9/430-433,
D9/414, 418, 420-423, 529, 560; 206/278,
206/297, 299, 433, 457, 770, 737, 769, 776,
206/777, 778, 320; 229/100, 101, 103.3,
229/106, 107, 108, 108.1, 109, 110, 112,
229/116, 116.5, 117, 117.01, 117.03-117.08,
229/121, 122, 122.24, 122.29, 125.015, 126,

Primary Examiner — Thomas Johannes

(74) *Attorney, Agent, or Firm* — Sterne, Kessler,
Goldstein & Fox, P.L.L.C.

(57) **CLAIM**

The ornamental design for packaging, as shown and described.

DESCRIPTION

FIG. 1 is a front perspective view of packaging showing our new design;

FIG. 2 is a bottom perspective view thereof;

FIG. 3 is a front view thereof;

FIG. 4 is a rear view thereof;

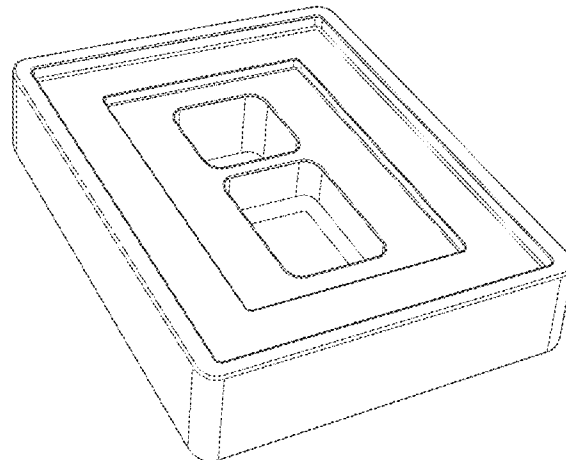
FIG. 5 is a side view thereof;

FIG. 6 is another side view thereof;

FIG. 7 is a bottom view thereof; and,

FIG. 8 is a top plan view thereof.

1 Claim, 6 Drawing Sheets



US D674,709 S

U.S. PATENT DOCUMENTS

D339,287 S	9/1993	Levin		D596,485 S	7/2009	Andre et al.
D339,523 S	9/1993	Bennett		D606,855 S	12/2009	Jo et al.
5,295,580 A *	3/1994	Hicks	206/588	D610,450 S	2/2010	Lessard
D369,469 S	5/1996	Gregory		D615,320 S	5/2010	Griffin et al.
D369,548 S	5/1996	Adams		D620,352 S	7/2010	Liipola et al.
D373,724 S	9/1996	Adams		D620,795 S	8/2010	Andre et al.
D396,954 S	8/1998	Iversen et al.		D621,256 S	8/2010	Andre et al.
5,887,749 A	3/1999	Schommer et al.		D628,825 S	12/2010	Nielsen
5,950,830 A	9/1999	Trigger		D631,558 S	1/2011	Harmston et al.
5,967,327 A	10/1999	Jones		7,878,326 B2	2/2011	Andre et al.
D435,215 S	12/2000	Guzman		D633,388 S	3/2011	Andre et al.
6,302,274 B1	10/2001	Ridgeway		D635,455 S	4/2011	Andre et al.
6,305,539 B1	10/2001	Sanders, Jr.		D635,853 S	4/2011	Andre et al.
6,367,624 B1	4/2002	Szczepanski et al.		D637,076 S	5/2011	Akana et al.
D504,563 S	5/2005	Broussard et al.		D637,596 S	5/2011	Akana et al.
7,117,993 B2	10/2006	Koike		D649,450 S	11/2011	Andre et al.
D558,571 S	1/2008	Andre et al.		D660,723 S	5/2012	Akana et al.
D572,588 S	7/2008	Osborn et al.		2003/0102244 A1	6/2003	Sanders, Jr.
D576,484 S	9/2008	Koza et al.		2004/0045867 A1	3/2004	Appelbaum
D590,708 S	4/2009	Maguire et al.		2006/0266672 A1	11/2006	Young
D592,968 S *	5/2009	Lee et al.	D9/600	2009/0205988 A1	8/2009	Edwards et al.
D595,056 S	6/2009	Pettersson		2010/0078343 A1	4/2010	Hoellwarth et al.
D596,025 S *	7/2009	Mordechai	D9/432			

* cited by examiner

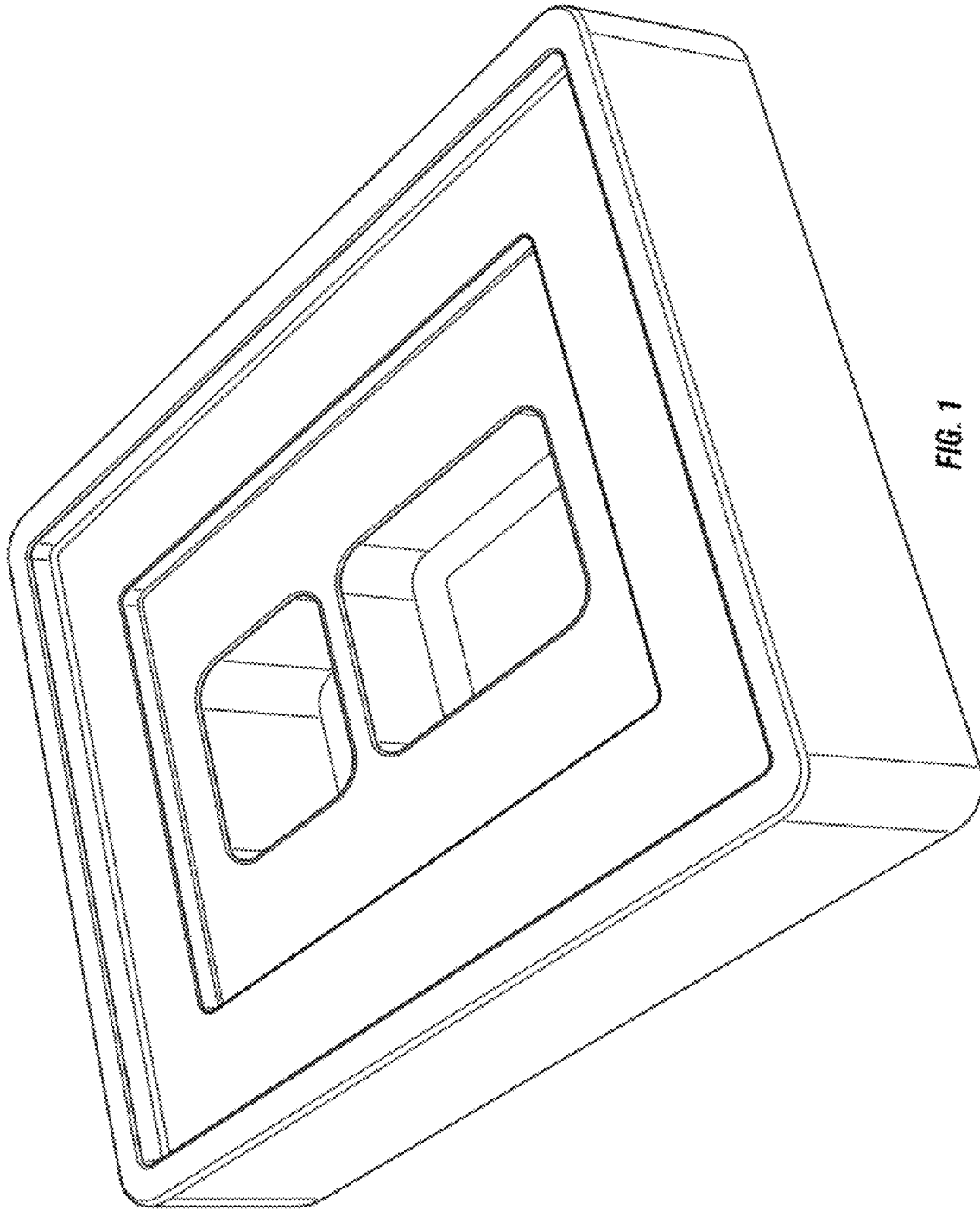


FIG. 1

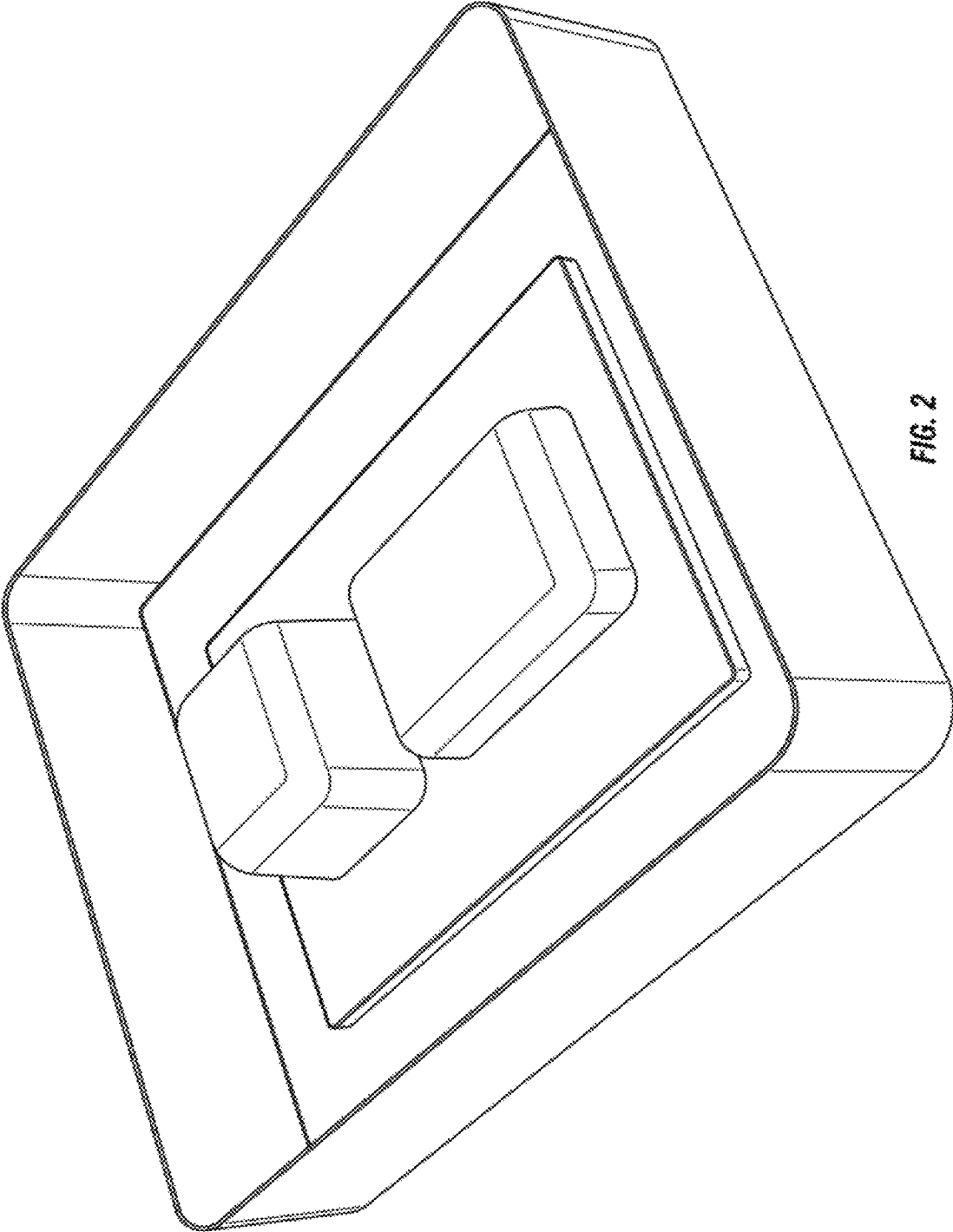


FIG. 2

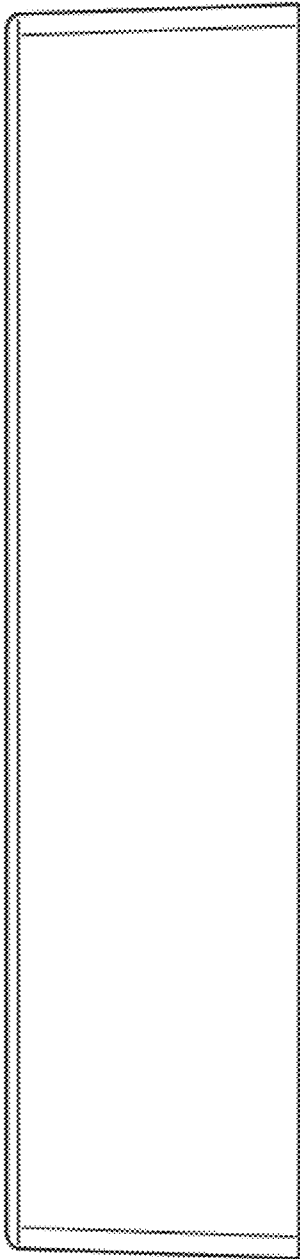


FIG. 3

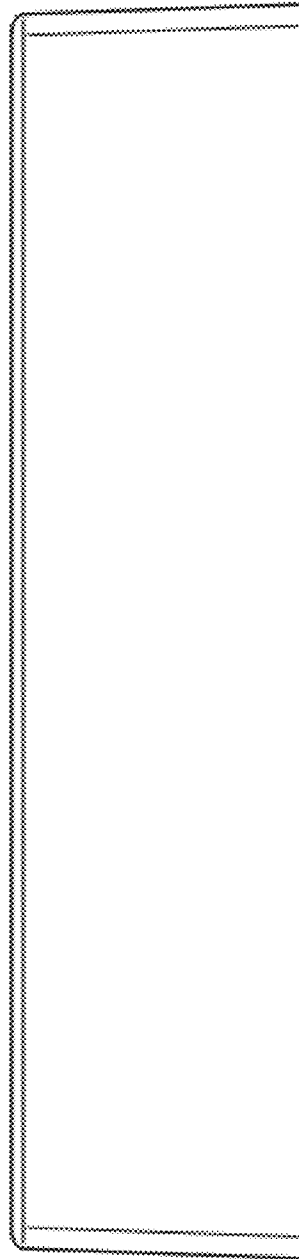


FIG. 4

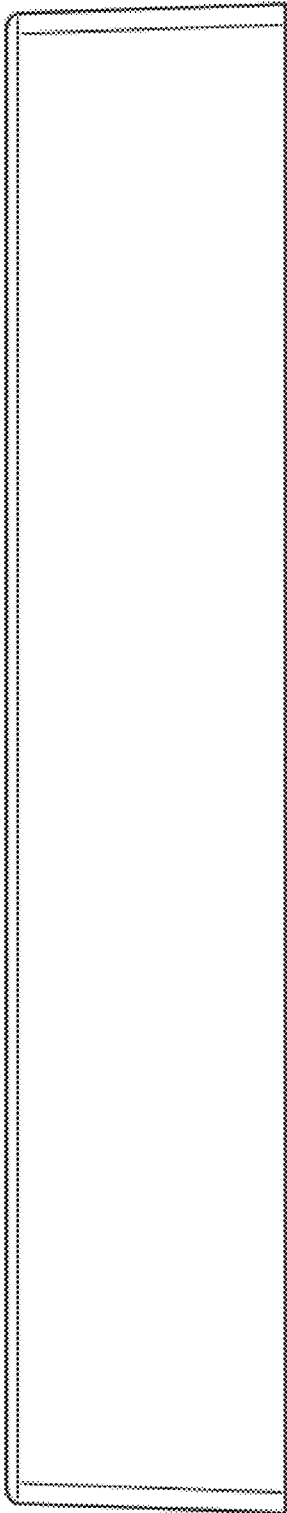


FIG. 5

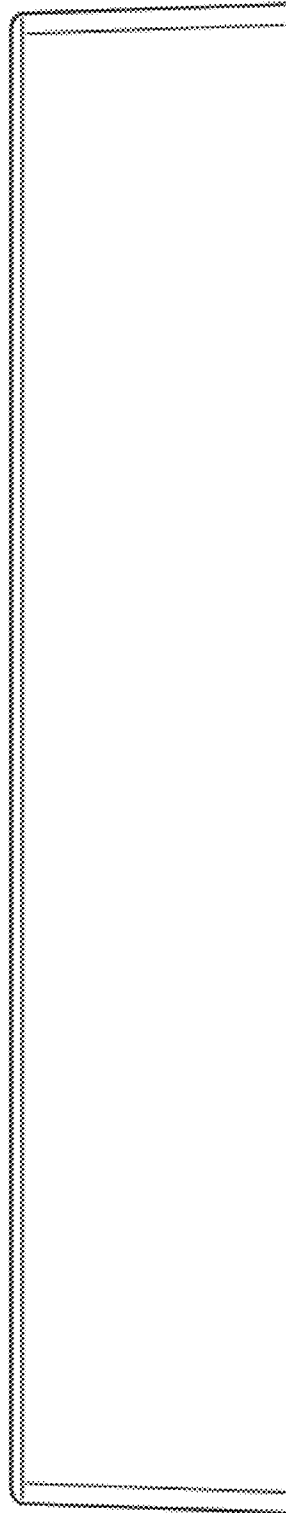


FIG. 6

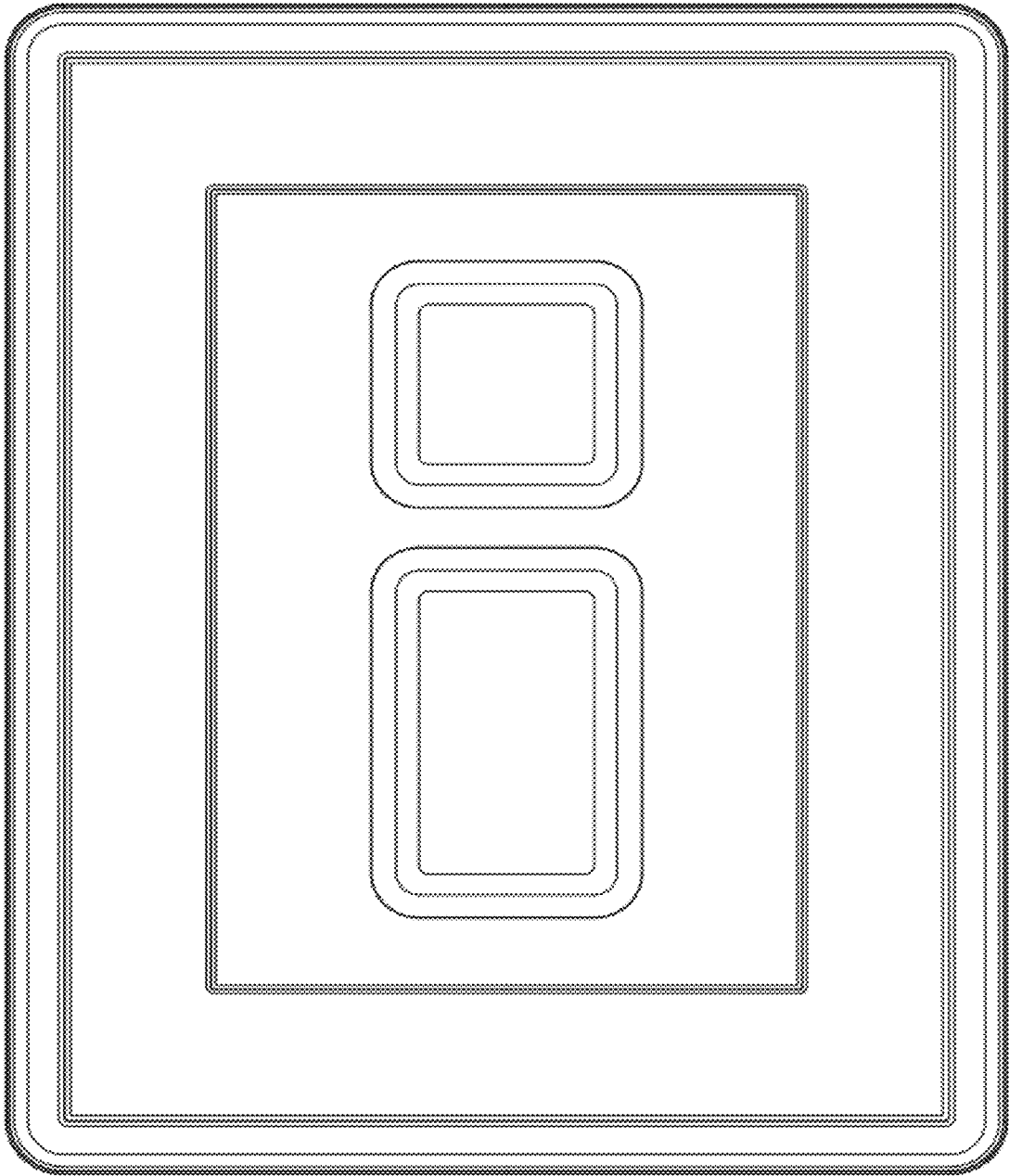


FIG. 7

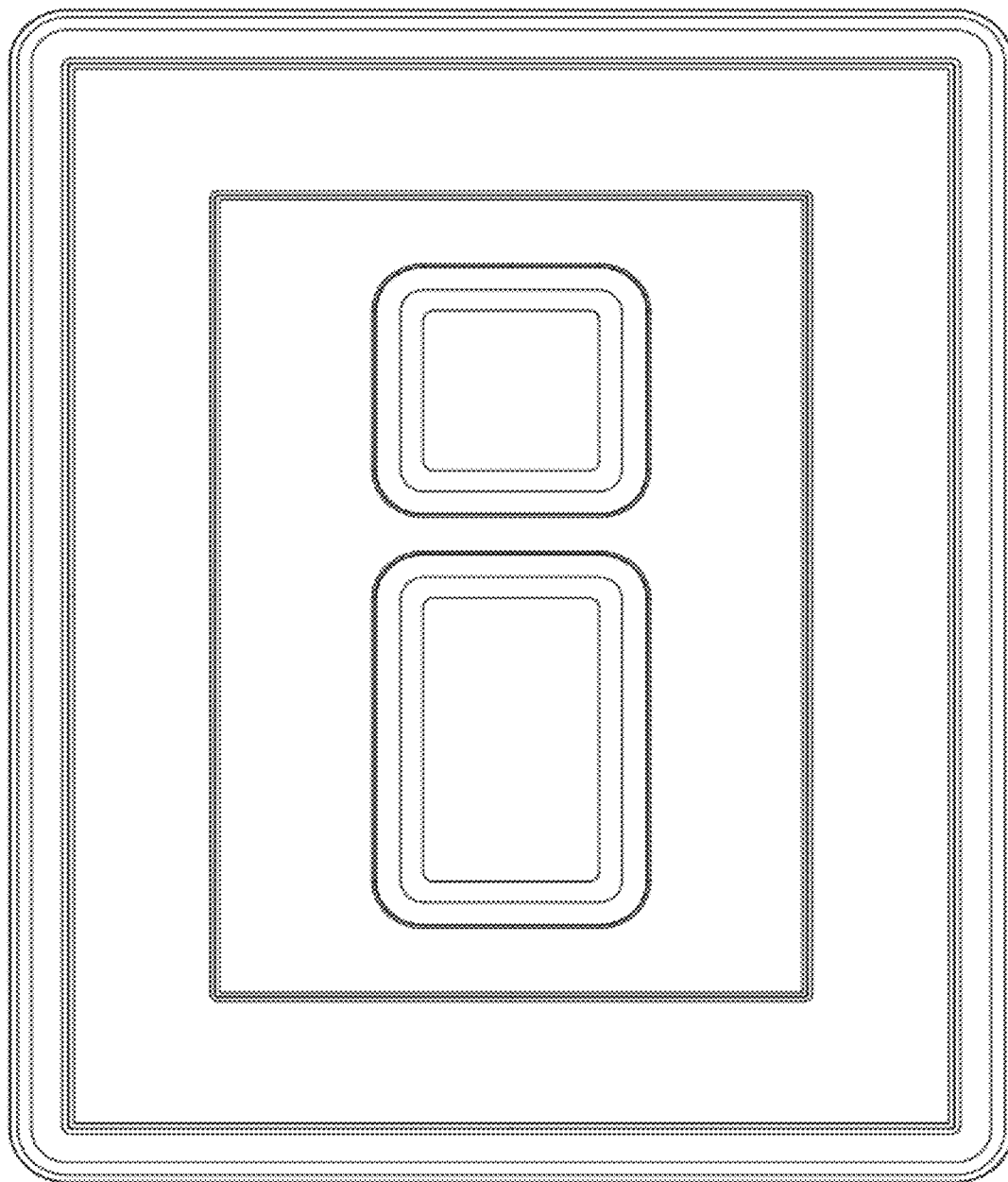


FIG. 8