

(19) World Intellectual Property Organization
International Bureau



(43) International Publication Date
16 February 2006 (16.02.2006)

PCT

(10) International Publication Number
WO 2006/015611 A3

(51) International Patent Classification:
G06F 9/46 (2006.01)

(21) International Application Number:
PCT/EP2004/009031

(22) International Filing Date: 12 August 2004 (12.08.2004)

(25) Filing Language: English

(26) Publication Language: English

(71) Applicant (for all designated States except US): **TELECOM ITALIA S.P.A.** [IT/IT]; Piazza degli Affari, 2, I-20123 Milano (IT).

(72) Inventor; and

(75) Inventor/Applicant (for US only): **GRASSO, Ennio** [IT/IT]; Telecom Italia S.p.A., Via G. Reiss Romoli, 274, I-10148 Torino (IT).

(74) Agents: **MARKOVINA, Paolo** et al.; Pirelli & C. S.p.A., Viale Sarca, 222, I-20126 Milano (IT).

(81) Designated States (unless otherwise indicated, for every kind of national protection available): AE, AG, AL, AM, AT, AU, AZ, BA, BB, BG, BR, BW, BY, BZ, CA, CH, CN, CO, CR, CU, CZ, DE, DK, DM, DZ, EC, EE, EG, ES, FI,

GB, GD, GE, GH, GM, HR, HU, ID, IL, IN, IS, JP, KE, KG, KP, KR, KZ, LC, LK, LR, LS, LT, LU, LV, MA, MD, MG, MK, MN, MW, MX, NA, NI, NO, NZ, OM, PG, PH, PL, PT, RO, RU, SC, SD, SE, SG, SK, SL, SY, TJ, TM, TN, TR, TT, TZ, UA, UG, US, UZ, VC, VN, YU, ZA, ZM, ZW.

(84) Designated States (unless otherwise indicated, for every kind of regional protection available): ARIPO (BW, GH, GM, KE, LS, MW, MZ, NA, SD, SL, SZ, TZ, UG, ZM, ZW), Eurasian (AM, AZ, BY, KG, KZ, MD, RU, TJ, TM), European (AT, BE, BG, CH, CY, CZ, DE, DK, EE, ES, FI, FR, GB, GR, HU, IE, IT, LU, MC, NL, PL, PT, RO, SE, SI, SK, TR), OAPI (BF, BJ, CF, CG, CI, CM, GA, GN, GQ, GW, ML, MR, NE, SN, TD, TG).

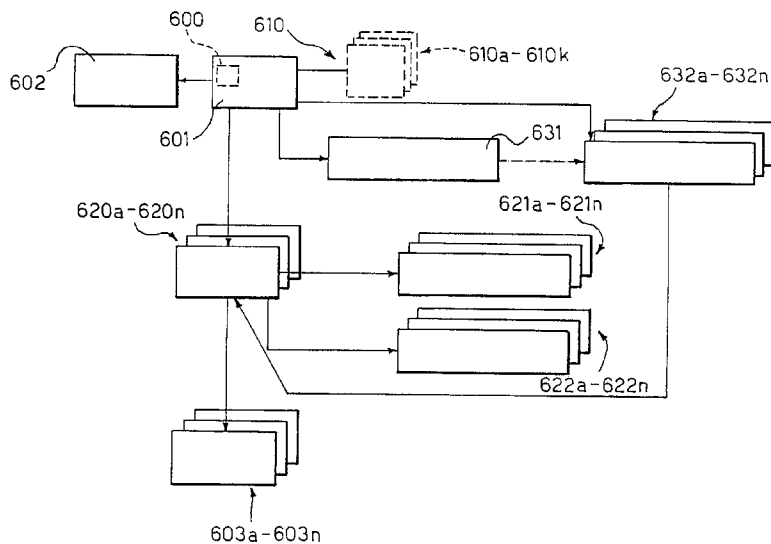
Published:

- with international search report
- before the expiration of the time limit for amending the claims and to be republished in the event of receipt of amendments

(88) Date of publication of the international search report:
10 May 2007

For two-letter codes and other abbreviations, refer to the "Guidance Notes on Codes and Abbreviations" appearing at the beginning of each regular issue of the PCT Gazette.

(54) Title: METHOD AND SYSTEM FOR READING DATA, RELATED NETWORK AND COMPUTER PROGRAM PRODUCT THEREFOR



(57) Abstract: A system for receiving data, such as data from streaming protocols arranged in client requests, includes: a plurality of worker threads (610a - 610k) for receiving the data; a master thread (600) configured for assigning a given worker thread (610a - 610k) to handling an incoming client request; a parser module (632a - 632n) configured for parsing the data of the incoming client request received via the assigned thread (610a - 610k), and identifying when a complete client request has been received. The master thread (600) is configured for releasing the given worker thread (610a - 610k) from assignment to handling said incoming client request when the parser module (632a - 632n) indicates that the complete incoming client request has been received.

WO 2006/015611 A3

INTERNATIONAL SEARCH REPORT

International Application No
PCT/EP2004/009031

A. CLASSIFICATION OF SUBJECT MATTER IPC 7 G06F9/46				
According to International Patent Classification (IPC) or to both national classification and IPC				
B. FIELDS SEARCHED				
Minimum documentation searched (classification system followed by classification symbols) IPC 7 G06F				
Documentation searched other than minimum documentation to the extent that such documents are included in the fields searched				
Electronic data base consulted during the international search (name of data base and, where practical, search terms used) EPO-Internal, INSPEC, IBM-TDB, WPI Data				
C. DOCUMENTS CONSIDERED TO BE RELEVANT				
Category °	Citation of document, with indication, where appropriate, of the relevant passages	Relevant to claim No.		
X	DOUGLAS C. SCHMIDT AND STEVE VINOSKI: "Comparing Alternative Programming Techniques for Multi-threaded Servers - the Thread-Pool Concurrency Model" C PLUS PLUS REPORT, [Online] vol. 8, no. 2, February 1996 (1996-02), XP002318836 SIGS Retrieved from the Internet: URL: http://www.cs.wustl.edu/~schmidt/PDF/C++-report-col6.pdf [retrieved on 2005-02-15]	1		
Y	figure 2 page 4 - page 7 ----- -/--	2-20		
<input checked="" type="checkbox"/> Further documents are listed in the continuation of box C.				
<input checked="" type="checkbox"/> Patent family members are listed in annex.				
° Special categories of cited documents :				
<table style="width: 100%; border: none;"> <tr> <td style="width: 50%; border: none; vertical-align: top;"> "A" document defining the general state of the art which is not considered to be of particular relevance "E" earlier document but published on or after the international filing date "L" document which may throw doubts on priority claim(s) or which is cited to establish the publication date of another citation or other special reason (as specified) "O" document referring to an oral disclosure, use, exhibition or other means "P" document published prior to the international filing date but later than the priority date claimed </td> <td style="width: 50%; border: none; vertical-align: top;"> "T" later document published after the international filing date or priority date and not in conflict with the application but cited to understand the principle or theory underlying the invention "X" document of particular relevance; the claimed invention cannot be considered novel or cannot be considered to involve an inventive step when the document is taken alone "Y" document of particular relevance; the claimed invention cannot be considered to involve an inventive step when the document is combined with one or more other such documents, such combination being obvious to a person skilled in the art. "&" document member of the same patent family </td> </tr> </table>			"A" document defining the general state of the art which is not considered to be of particular relevance "E" earlier document but published on or after the international filing date "L" document which may throw doubts on priority claim(s) or which is cited to establish the publication date of another citation or other special reason (as specified) "O" document referring to an oral disclosure, use, exhibition or other means "P" document published prior to the international filing date but later than the priority date claimed	"T" later document published after the international filing date or priority date and not in conflict with the application but cited to understand the principle or theory underlying the invention "X" document of particular relevance; the claimed invention cannot be considered novel or cannot be considered to involve an inventive step when the document is taken alone "Y" document of particular relevance; the claimed invention cannot be considered to involve an inventive step when the document is combined with one or more other such documents, such combination being obvious to a person skilled in the art. "&" document member of the same patent family
"A" document defining the general state of the art which is not considered to be of particular relevance "E" earlier document but published on or after the international filing date "L" document which may throw doubts on priority claim(s) or which is cited to establish the publication date of another citation or other special reason (as specified) "O" document referring to an oral disclosure, use, exhibition or other means "P" document published prior to the international filing date but later than the priority date claimed	"T" later document published after the international filing date or priority date and not in conflict with the application but cited to understand the principle or theory underlying the invention "X" document of particular relevance; the claimed invention cannot be considered novel or cannot be considered to involve an inventive step when the document is taken alone "Y" document of particular relevance; the claimed invention cannot be considered to involve an inventive step when the document is combined with one or more other such documents, such combination being obvious to a person skilled in the art. "&" document member of the same patent family			
Date of the actual completion of the international search	Date of mailing of the international search report			
23 February 2005	03/06/2005			
Name and mailing address of the ISA European Patent Office, P.B. 5818 Patentlaan 2 NL - 2280 HV Rijswijk Tel. (+31-70) 340-2040, Tx. 31 651 epo nl, Fax: (+31-70) 340-3016	Authorized officer Härdeman, J			

INTERNATIONAL SEARCH REPORT

International Application No
PCT/EP2004/009031

C.(Continuation) DOCUMENTS CONSIDERED TO BE RELEVANT		
Category °	Citation of document, with indication, where appropriate, of the relevant passages	Relevant to claim No.
Y	<p>DOUGLAS C. SCHMIDT: "Reactor - An Object Behavioral Pattern for Demultiplexing and Dispatching Handles for Synchronous Events"[Online] 29 November 2000 (2000-11-29), XP002318837 Retrieved from the Internet: URL:http://web.archive.org/web/20001215224700/http://www.cs.wustl.edu/~schmidt/PDF/reactor-siemens.pdf> [retrieved on 2005-02-15] page 3 - page 5</p>	2-20
L	<p>DOUGLAS C. SCHMIDT: "Resume for Douglas C. Schmidt"[Online] XP002318838 Retrieved from the Internet: URL:http://web.archive.org/web/20001215224700/http://www.cs.wustl.edu/~schmidt/resume.html> [retrieved on 2005-02-15] pages 5,36</p>	
A	<p>US 2001/018701 A1 (LIVECCHI PATRICK MICHAEL) 30 August 2001 (2001-08-30) abstract claims 1,2 figures 3A-3C,4</p>	1-20
A	<p>US 6 754 701 B1 (KESSNER AMIR) 22 June 2004 (2004-06-22) claims 1-6 page 1 abstract</p>	1-20

INTERNATIONAL SEARCH REPORT

Information on patent family members

International Application No

PCT/EP2004/009031

Patent document cited in search report	A1	Publication date	Patent family member(s)	Publication date
US 2001018701	A1	30-08-2001	US 6427161 B1	30-07-2002
			JP 3555846 B2	18-08-2004
			JP 2000029815 A	28-01-2000
			KR 2000005691 A	25-01-2000

US 6754701	B1	22-06-2004	AT 269559 T	15-07-2004
			AU 5309401 A	20-11-2001
			CA 2408237 A1	15-11-2001
			DE 60103888 D1	22-07-2004
			EP 1279100 A2	29-01-2003
			WO 0186446 A2	15-11-2001
