

(19) World Intellectual Property Organization
International Bureau



(43) International Publication Date
9 June 2005 (09.06.2005)

PCT

(10) International Publication Number
WO 2005/052292 A3

(51) International Patent Classification⁷: E05D 3/06, 7/00

(21) International Application Number:
PCT/GB2004/004645

(22) International Filing Date:
4 November 2004 (04.11.2004)

(25) Filing Language: English

(26) Publication Language: English

(30) Priority Data:
0326685.5 15 November 2003 (15.11.2003) GB

(71) Applicant (for all designated States except US): TROJAN HARDWARE & DESIGNS LTD. [GB/GB]; 6 The Benyon Centre, Commercial Road, Walsall, West Midlands WS2 7NQ (GB).

(72) Inventor; and

(75) Inventor/Applicant (for US only): DOLMAN, Terence, James [GB/GB]; 6 The Benyon Centre, Commercial Road, Walsall, West Midlands WS2 7NQ (GB).

(74) Agent: SKINNER, Michael, Paul; Swindell & Pearson, 48 Friar Gate, Derby DE1 1GY (GB).

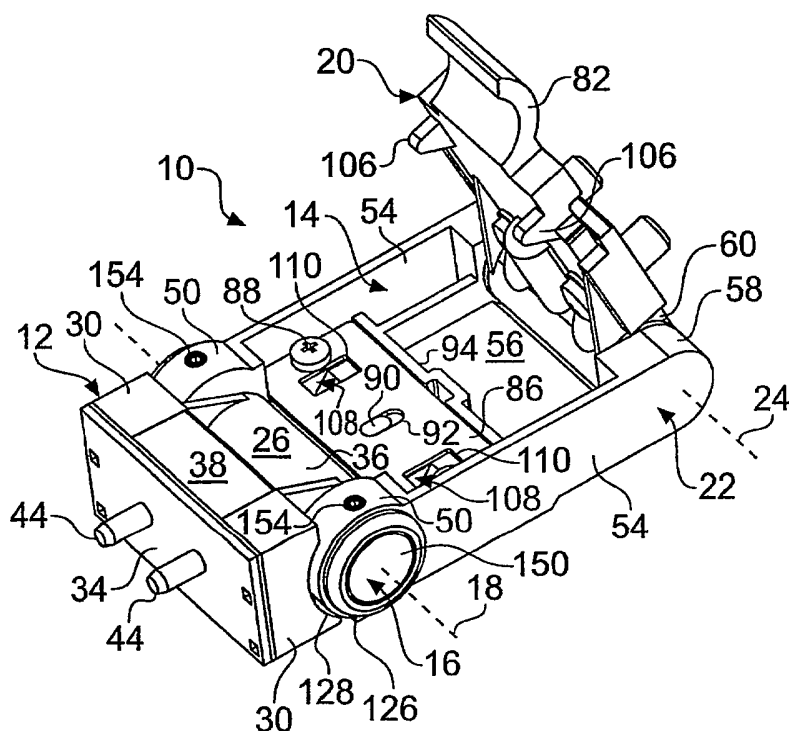
(81) Designated States (unless otherwise indicated, for every kind of national protection available): AE, AG, AL, AM, AT, AU, AZ, BA, BB, BG, BR, BW, BY, BZ, CA, CH, CN, CO, CR, CU, CZ, DE, DK, DM, DZ, EC, EE, EG, ES, FI, GB, GD, GE, GH, GM, HR, HU, ID, IL, IN, IS, JP, KE, KG, KP, KR, KZ, LC, LK, LR, LS, LT, LU, LV, MA, MD, MG, MK, MN, MW, MX, MZ, NA, NI, NO, NZ, OM, PG, PH, PL, PT, RO, RU, SC, SD, SE, SG, SK, SL, SY, TJ, TM, TN, TR, TT, TZ, UA, UG, US, UZ, VC, VN, YU, ZA, ZM, ZW.

(84) Designated States (unless otherwise indicated, for every kind of regional protection available): ARIPO (BW, GH, GM, KE, LS, MW, MZ, NA, SD, SL, SZ, TZ, UG, ZM, ZW), Eurasian (AM, AZ, BY, KG, KZ, MD, RU, TJ, TM), European (AT, BE, BG, CH, CY, CZ, DE, DK, EE, ES, FI, FR, GB, GR, HU, IE, IS, IT, LU, MC, NL, PL, PT, RO, SE, SI, SK, TR), OAPI (BF, BJ, CF, CG, CI, CM, GA, GN, GQ, GW, ML, MR, NE, SN, TD, TG).

Published:
— with international search report

[Continued on next page]

(54) Title: HINGE



(57) Abstract: A hinge (10) has a first leaf (12), second leaf (14) and third leaf (20). The first leaf (12) and second leaf (14) are pivotally connected at an axis (18). The second leaf (14) and third leaf (20) are pivotally connected at an axis (24). In one example, the leaf (12) is attached to a door frame and the leaf (20) is attached to a door, so that the door may open and close in the frame by a motion which involves pivoting about both axes (18, 24).

WO 2005/052292 A3



— *before the expiration of the time limit for amending the claims and to be republished in the event of receipt of amendments*

For two-letter codes and other abbreviations, refer to the "Guidance Notes on Codes and Abbreviations" appearing at the beginning of each regular issue of the PCT Gazette.

(88) Date of publication of the international search report:

1 December 2005

INTERNATIONAL SEARCH REPORT

International Application No
PCT/GB2004/004645

A. CLASSIFICATION OF SUBJECT MATTER IPC 7 E05D3/06 E05D7/00		
According to International Patent Classification (IPC) or to both national classification and IPC		
B. FIELDS SEARCHED Minimum documentation searched (classification system followed by classification symbols) IPC 7 E05D E05F		
Documentation searched other than minimum documentation to the extent that such documents are included in the fields searched		
Electronic data base consulted during the international search (name of data base and, where practical, search terms used) EPO-Internal		
C. DOCUMENTS CONSIDERED TO BE RELEVANT		
Category °	Citation of document, with indication, where appropriate, of the relevant passages	Relevant to claim No.
X Y A	GB 1 189 954 A (DAIMLER BENZ AG) 29 April 1970 (1970-04-29) page 1, lines 60-81 page 2, lines 7-60; claims 1-4; figures 1-3 -----	1-12 13-23 34,35
X Y	FR 2 786 807 A (RENAULT) 9 June 2000 (2000-06-09) page 5, line 17 - page 10, line 4; claims 1,2; figures 1-6 -----	1-12 13-23
X	FR 2 613 756 A (AEROSPATIALE STE NATIONALE INDLE) 14 October 1988 (1988-10-14) page 6, line 16 - page 9, line 17; claims 1,2; figures 1-11 -----	1-12
-/--		
<input checked="" type="checkbox"/> Further documents are listed in the continuation of box C. <input checked="" type="checkbox"/> Patent family members are listed in annex.		
° Special categories of cited documents :		
"A" document defining the general state of the art which is not considered to be of particular relevance "E" earlier document but published on or after the international filing date "L" document which may throw doubts on priority claim(s) or which is cited to establish the publication date of another citation or other special reason (as specified) "O" document referring to an oral disclosure, use, exhibition or other means "P" document published prior to the international filing date but later than the priority date claimed	"T" later document published after the international filing date or priority date and not in conflict with the application but cited to understand the principle or theory underlying the invention "X" document of particular relevance; the claimed invention cannot be considered novel or cannot be considered to involve an inventive step when the document is taken alone "Y" document of particular relevance; the claimed invention cannot be considered to involve an inventive step when the document is combined with one or more other such documents, such combination being obvious to a person skilled in the art. "&" document member of the same patent family	
Date of the actual completion of the international search <p style="text-align: center;">24 June 2005</p>	Date of mailing of the international search report <p style="text-align: center;">21. 09. 2005</p>	
Name and mailing address of the ISA European Patent Office, P.B. 5818 Patentlaan 2 NL - 2280 HV Rijswijk Tel. (+31-70) 340-2040, Tx. 31 651 epo nl, Fax: (+31-70) 340-3016	Authorized officer <p style="text-align: center;">Balice, M</p>	

2

INTERNATIONAL SEARCH REPORT

International Application No
PCT/GB2004/004645

C.(Continuation) DOCUMENTS CONSIDERED TO BE RELEVANT		
Category °	Citation of document, with indication, where appropriate, of the relevant passages	Relevant to claim No.
Y	DE 199 60 432 A1 (DAIMLERCHRYSLER AG) 5 July 2001 (2001-07-05) column 2, line 35 - column 5, line 60; claim 1; figures 1-6 -----	13-16
Y	CA 2 113 537 A1 (ROSSMO, WILLIAM) 15 July 1995 (1995-07-15) pages 1-6; claims 1-11; figures 1-4 -----	13-23
Y	GB 396 889 A (JAMES GARTH MITCHELL) 17 August 1933 (1933-08-17) pages 2-4; claims 1-7; figures 1-7 -----	13-23

INTERNATIONAL SEARCH REPORT

national application No.
PCT/GB2004/004645

Box II Observations where certain claims were found unsearchable (Continuation of item 2 of first sheet)

This International Search Report has not been established in respect of certain claims under Article 17(2)(a) for the following reasons:

1. Claims Nos.:
because they relate to subject matter not required to be searched by this Authority, namely:

2. Claims Nos.:
because they relate to parts of the International Application that do not comply with the prescribed requirements to such an extent that no meaningful International Search can be carried out, specifically:

3. Claims Nos.:
because they are dependent claims and are not drafted in accordance with the second and third sentences of Rule 6.4(a).

Box III Observations where unity of invention is lacking (Continuation of item 3 of first sheet)

This International Searching Authority found multiple inventions in this international application, as follows:

see additional sheet

1. As all required additional search fees were timely paid by the applicant, this International Search Report covers all searchable claims.

2. As all searchable claims could be searched without effort justifying an additional fee, this Authority did not invite payment of any additional fee.

3. As only some of the required additional search fees were timely paid by the applicant, this International Search Report covers only those claims for which fees were paid, specifically claims Nos.:

4. No required additional search fees were timely paid by the applicant. Consequently, this International Search Report is restricted to the invention first mentioned in the claims; it is covered by claims Nos.:

1-23, 34, 35

Remark on Protest

- The additional search fees were accompanied by the applicant's protest.
- No protest accompanied the payment of additional search fees.

FURTHER INFORMATION CONTINUED FROM PCT/ISA/ 210

This International Searching Authority found multiple (groups of) inventions in this international application, as follows:

1. claims: 1-23, 34, 35

hinge comprising three leaves pivoted by two pins

2. claims: 24-33

hinge comprising two leaves pivoted by a threaded pin for axial adjustment.

INTERNATIONAL SEARCH REPORT

Information on patent family members

International Application No
PCT/GB2004/004645

Patent document cited in search report		Publication date	Patent family member(s)	Publication date
GB 1189954	A	29-04-1970	FR 1565238 A	25-04-1969
FR 2786807	A	09-06-2000	NONE	
FR 2613756	A	14-10-1988	NONE	
DE 19960432	A1	05-07-2001	NONE	
CA 2113537	A1	15-07-1995	NONE	
GB 396889	A	17-08-1933	NONE	