



US00D783825S

(12) **United States Design Patent**
Emanuelli

(10) **Patent No.:** **US D783,825 S**

(45) **Date of Patent:** **** Apr. 11, 2017**

(54) **POST PART FOR A DENTAL IMPLANT**

FOREIGN PATENT DOCUMENTS

(71) Applicant: **Silvio Franco Emanuelli**, Sanremo (IT)

AU 753575 B2 10/2002
DE 19625975 A1 1/1998

(72) Inventor: **Silvio Franco Emanuelli**, Sanremo (IT)

(Continued)

(**) Term: **15 Years**

Primary Examiner — Charles Hanson

(21) Appl. No.: **29/553,904**

(74) *Attorney, Agent, or Firm* — Condo Roccia Koptiw LLP

(22) Filed: **Feb. 5, 2016**

(57) **CLAIM**

(51) **LOC (10) Cl.** **24-02**

The ornamental design for a post part for a dental implant, as shown and described.

(52) **U.S. Cl.**

USPC **D24/156**

(58) **Field of Classification Search**

DESCRIPTION

USPC D24/155-157; D8/137
CPC A61C 8/00; A61C 8/0089; A61C 8/0069;
A61C 8/0054; A61C 8/0096; A61C
8/0039; A61C 8/0063; A61C 8/006; A61C
8/0001; A61C 8/0012; A61C 8/0075;
A61C 8/0083; A61C 13/225

This application is related to U.S. patent application Ser. No. 29/553,912 filed Feb. 5, 2016, entitled "Root Part for a Dental Implant," U.S. patent application Ser. No. 29/553,916 filed Feb. 5, 2016, entitled "Post Part for a Dental Implant," U.S. patent application Ser. No. 29/553,881 filed Feb. 5, 2016, entitled "Root Part for a Dental Implant," U.S. patent application Ser. No. 29/553,886 filed Feb. 5, 2016, entitled "Post Part for a Dental Implant," and U.S. patent application Ser. No. 29/553,896 filed Feb. 5, 2016, entitled "Root Part for a Dental Implant," which are incorporated by reference herein in their entirety.

See application file for complete search history.

(56) **References Cited**

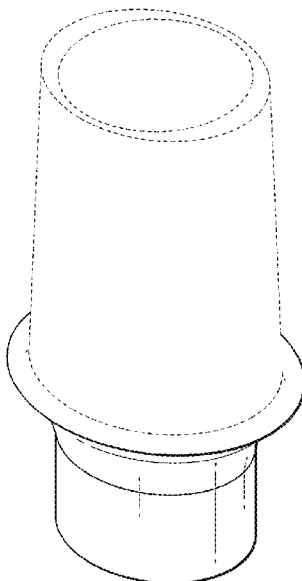
U.S. PATENT DOCUMENTS

2,721,387 A	10/1955	Ashuckian
2,857,670 A	10/1958	Kiernan, Jr.
3,708,883 A	1/1973	Flander
D296,362 S	6/1988	Branemark
5,035,619 A	7/1991	Daftary
5,073,111 A	12/1991	Daftary
5,145,372 A	9/1992	Daftary et al.
5,246,370 A	9/1993	Coatoam
5,297,963 A	3/1994	Dafatry
5,342,199 A	8/1994	Gillespie
5,344,457 A	9/1994	Pilliar et al.
5,427,526 A	6/1995	Fernandes
5,431,567 A	7/1995	Daftary
5,470,230 A	11/1995	Daftary et al.

(Continued)

FIG. 1 is a perspective view of a post part for a dental implant showing my new design; FIG. 2 is a side view thereof; FIG. 3 is a side view thereof; FIG. 4 is a side view thereof; FIG. 5 is a side view thereof; FIG. 6 is a top view thereof; and, FIG. 7 is a bottom view thereof. The broken line showing is included for the purpose of illustrating unclaimed subject matter and forms no part of the claimed design.

1 Claim, 2 Drawing Sheets



(56)

References Cited

U.S. PATENT DOCUMENTS

5,704,239 A 1/1998 Beals et al.
 5,725,581 A 3/1998 Bråmark
 5,749,732 A 5/1998 Sendax
 5,759,034 A * 6/1998 Daftary A61C 8/0018
 433/172
 5,810,590 A 9/1998 Fried et al.
 5,810,592 A 9/1998 Daftary
 5,890,902 A 4/1999 Sopian
 5,947,732 A 9/1999 Beaty et al.
 5,967,783 A 10/1999 Ura
 6,039,568 A 3/2000 Hinds
 6,083,004 A 7/2000 Misch et al.
 6,095,817 A 8/2000 Wagner et al.
 6,099,313 A 8/2000 Dorken et al.
 6,164,969 A 12/2000 Dinkelacker
 6,174,167 B1 1/2001 Wohrle
 6,217,333 B1 4/2001 Ercoli
 6,220,860 B1 4/2001 Hansson
 6,231,342 B1 5/2001 Osorio et al.
 6,261,097 B1 7/2001 Schmutz et al.
 6,283,754 B1 9/2001 Wohrle
 D455,833 S 4/2002 Daftary
 D456,900 S 5/2002 Daftary
 6,413,089 B1 7/2002 Ashman et al.
 6,431,867 B1 8/2002 Gittelsohn et al.
 6,458,134 B1 10/2002 Songer et al.
 D470,939 S * 2/2003 Daftary A61C 8/0018
 D24/156
 6,517,543 B1 2/2003 Berrevoets et al.
 6,527,553 B2 3/2003 Yeung
 6,527,554 B2 3/2003 Hurson et al.
 6,537,069 B1 3/2003 Simmons, Jr.
 6,619,958 B2 9/2003 Beaty et al.
 6,644,969 B2 11/2003 Kumar
 D482,957 S 12/2003 Lajeunesse et al.
 D488,559 S 4/2004 Schuller et al.
 D490,901 S 6/2004 Schuller et al.
 6,758,672 B2 7/2004 Porter et al.
 D493,890 S 8/2004 Schuller et al.
 6,821,123 B2 11/2004 Andersson et al.
 6,843,653 B2 1/2005 Carlton
 6,854,972 B1 2/2005 Elian
 6,857,874 B2 2/2005 Kim
 D503,803 S 4/2005 Shalaby et al.
 D507,650 S * 7/2005 Teich D24/156
 7,198,488 B2 4/2007 Lang et al.
 7,207,800 B1 4/2007 Kwan

7,207,801 B2 * 4/2007 Vogt A61C 8/0087
 433/173
 D552,977 S 10/2007 He et al.
 D556,907 S * 12/2007 Rassoli D24/156
 D565,181 S * 3/2008 Anitua Aldecoa D24/156
 D577,122 S 9/2008 Aldecoa
 D578,218 S * 10/2008 Purga D24/156
 D583,945 S 12/2008 Aldecoa
 D588,699 S * 3/2009 Aldecoa D24/156
 D588,700 S 3/2009 Aldecoa
 D601,703 S * 10/2009 Kahdemann D24/156
 D603,512 S 11/2009 Emanuelli
 D603,513 S * 11/2009 Emanuelli D24/156
 D603,514 S * 11/2009 Emanuelli D24/156
 D604,851 S * 11/2009 Ishikawa D24/156
 D605,291 S * 12/2009 Ishikawa D24/156
 7,632,096 B2 * 12/2009 Gittleman A61C 8/0001
 433/173
 D620,117 S * 7/2010 Dawson D24/156
 D652,929 S * 1/2012 Sibhatu D24/156
 D653,344 S * 1/2012 Bar-Shalom D24/156
 D666,295 S * 8/2012 Hung D24/156
 D668,764 S * 10/2012 Lussi D24/156
 D717,435 S * 11/2014 Park D24/156
 D717,436 S * 11/2014 Park D24/156
 D721,809 S * 1/2015 Andersin D24/155
 D725,269 S * 3/2015 Chung D24/155
 D734,466 S * 7/2015 Kimron D24/156
 9,308,061 B2 4/2016 Zipprich
 D765,856 S * 9/2016 Schoene D24/156
 2001/0021498 A1 9/2001 Osorio et al.
 2003/0031982 A1 2/2003 Abarno
 2003/0082499 A1 * 5/2003 Halldin A61C 8/0001
 433/173
 2003/0143514 A1 7/2003 Peltier
 2004/0259056 A1 12/2004 Holt
 2005/0164146 A1 7/2005 Cantor
 2006/0127849 A1 6/2006 Levisman
 2006/0154203 A1 7/2006 Emanuelli
 2013/0108984 A1 5/2013 Zipprich
 2014/0106305 A1 4/2014 Jacoby et al.

FOREIGN PATENT DOCUMENTS

DE 19628464 A1 1/1998
 EP 0867153 B1 2/2006
 FR 2693900 A1 1/1994
 FR 2788963 A1 8/2000
 GB 2139095 A 11/1984
 WO WO 01/34056 A1 5/2001
 WO WO 03/005928 A1 1/2003

* cited by examiner

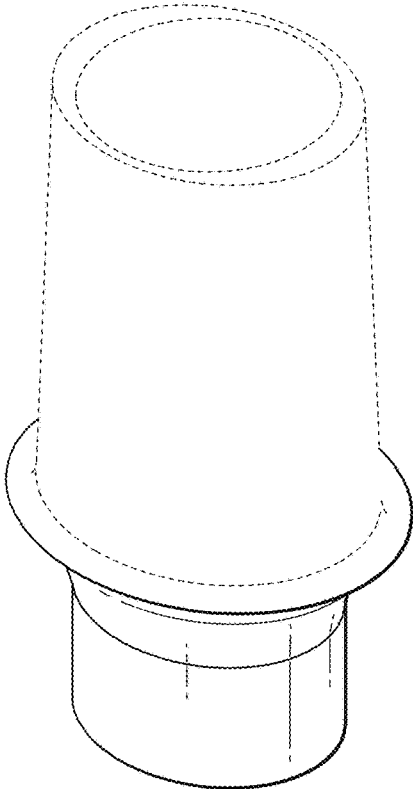


FIG. 1

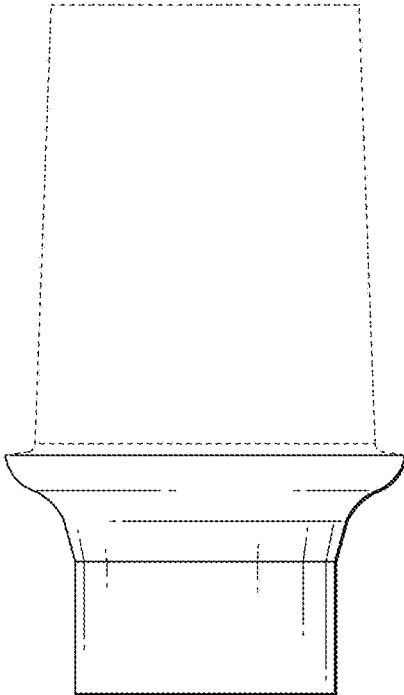


FIG. 2

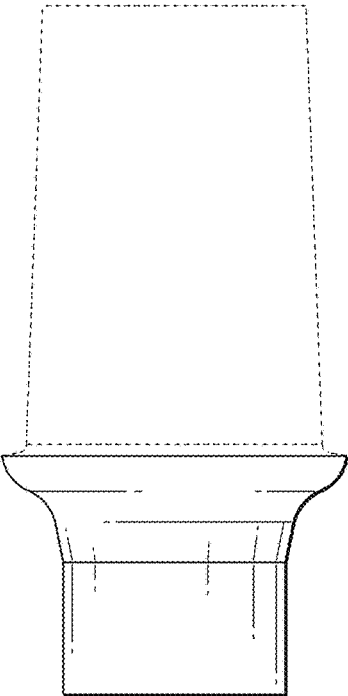


FIG. 3

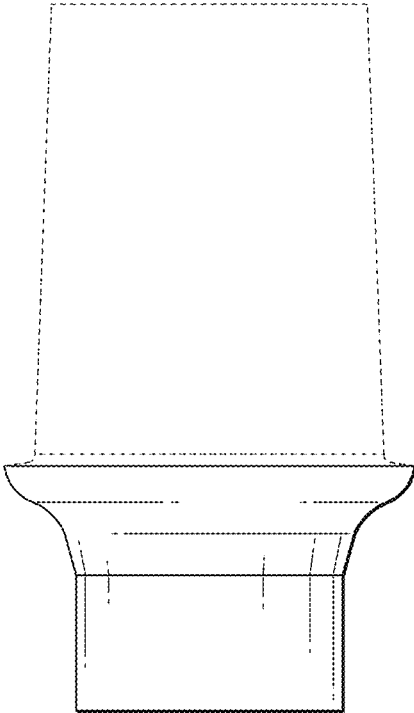


FIG. 4

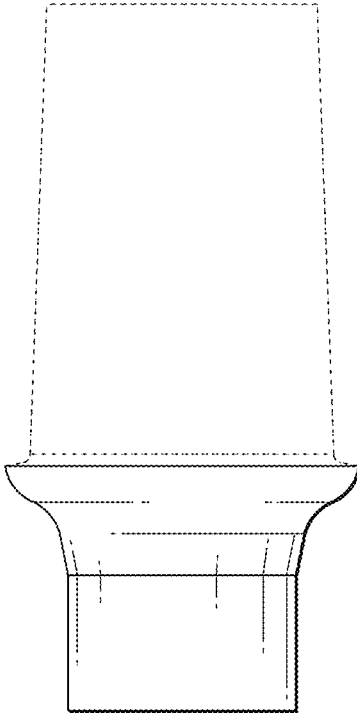


FIG. 5

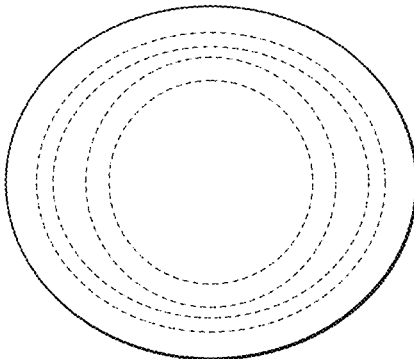


FIG. 6

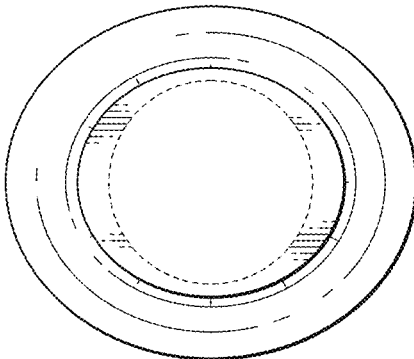


FIG. 7