

CORRECTED VERSION

(19) World Intellectual Property Organization
International Bureau



(10) International Publication Number
WO 2012/149665 A8

(43) International Publication Date
8 November 2012 (08.11.2012)

- (51) International Patent Classification: *H01H 27/00* (2006.01)
- (21) International Application Number: PCT/CN2011/000783
- (22) International Filing Date: 4 May 2011 (04.05.2011)
- (25) Filing Language: English
- (26) Publication Language: English
- (71) Applicant (for all designated States except US): **HONEYWELL INTERNATIONAL INC.** [US/US]; 101 Columbia Road, POB 2245, Morristown, NJ 07962-9806 (US).
- (72) Inventors; and
- (75) Inventors/Applicants (for US only): **DAI, Sichuan** [CN/US]; Honeywell International Inc., Patent Services M/S AB/2B, 101 Columbia Road, POB 2245, Morristown, N.J. 07962-2245 (US). **DENG, Dongmei** [CN/US]; Honeywell International Inc., Patent Services M/S AB/2B, 101 Columbia Road, POB 2245, Morristown, N.J. 07962-2245 (US). **GU, Joseph** [CN/US]; Honeywell International Inc.,

[Continued on next page]

(54) Title: SWITCH ACTUATION MECHANISM

(57) Abstract: A switch actuation mechanism is provided that includes a housing, a cam, and a cam engagement slider. The cam is rotationally mounted within the housing and is configured to rotate about a first axis. The cam engagement slider is mounted within the housing and is adjacent to the cam. The cam engagement slider is configured to translate along a second axis that is transverse to the first axis, and is movable between a lock position, in which it prevents the cam from rotating about the first axis, and an unlock position, in which it allows the cam to rotate about the first axis.



WO 2012/149665 A8

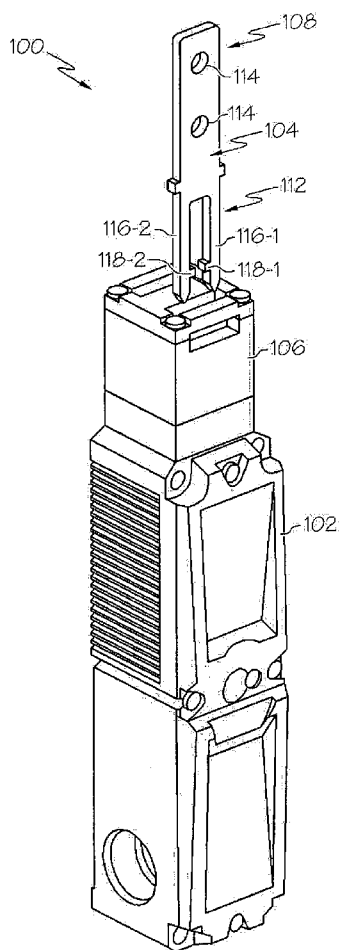


Fig. 1



Patent Services M/S AB/2B, 101 Columbia Road, POB 2245, Mossistown, N.J. 07962-2245 (US).

(74) **Agent:** CHINA PATENT AGENT (H.K.) LTD.; 22/F, Great Eagle Centre, 23 Harbour Road, Wanchai, Hong Kong, Special Administrative Region (CN).

(81) **Designated States** (*unless otherwise indicated, for every kind of national protection available*): AE, AG, AL, AM, AO, AT, AU, AZ, BA, BB, BG, BH, BR, BW, BY, BZ, CA, CH, CL, CN, CO, CR, CU, CZ, DE, DK, DM, DO, DZ, EC, EE, EG, ES, FI, GB, GD, GE, GH, GM, GT, HN, HR, HU, ID, IL, IN, IS, JP, KE, KG, KM, KN, KP, KR, KZ, LA, LC, LK, LR, LS, LT, LU, LY, MA, MD, ME, MG, MK, MN, MW, MX, MY, MZ, NA, NG, NI, NO, NZ, OM, PE, PG, PH, PL, PT, RO, RS, RU, SC, SD, SE, SG, SK, SL, SM, ST, SV, SY, TH, TJ, TM, TN, TR, TT, TZ, UA, UG, US, UZ, VC, VN, ZA, ZM, ZW.

(84) **Designated States** (*unless otherwise indicated, for every kind of regional protection available*): ARIPO (BW, GH, GM, KE, LR, LS, MW, MZ, NA, SD, SL, SZ, TZ, UG, ZM, ZW), Eurasian (AM, AZ, BY, KG, KZ, MD, RU, TJ, TM), European (AL, AT, BE, BG, CH, CY, CZ, DE, DK, EE, ES, FI, FR, GB, GR, HR, HU, IE, IS, IT, LT, LU, LV, MC, MK, MT, NL, NO, PL, PT, RO, RS, SE, SI, SK, SM, TR), OAPI (BF, BJ, CF, CG, CI, CM, GA, GN, GQ, GW, ML, MR, NE, SN, TD, TG).

Published:

— *with international search report (Art. 21(3))*

(48) **Date of publication of this corrected version:**

24 January 2013

(15) **Information about Correction:**

see Notice of 24 January 2013