



(51) International Patent Classification:
A42B 3/04 (2006.01)

(21) International Application Number:
PCT/IB2015/001612

(22) International Filing Date:
2 June 2015 (02.06.2015)

(25) Filing Language: English

(26) Publication Language: English

(30) Priority Data:
14/301,302 10 June 2014 (10.06.2014) US

(71) Applicant: REVISION MILITARY S.Á.R.L. [LU/LU];
61, Avenue de la Gare, 1611 Luxembourg (LU).

(72) Inventors: GENDRON, Marie-Pierre; 5 Rue Antonie
Couillard, Miricie, Quebec, J6R 0A4 (CA). LEBEL,
Stéphane; 1234 Rue Henri-Louis Beaudoin, St. Re-
dempteur, Quebec, G6K 1N3 (CA).

(74) Agent: HOFFMANN - EITL; Arabellastrasse 30, 81925
München (DE).

(81) Designated States (unless otherwise indicated, for every
kind of national protection available): AE, AG, AL, AM,
AO, AT, AU, AZ, BA, BB, BG, BH, BN, BR, BW, BY,
BZ, CA, CH, CL, CN, CO, CR, CU, CZ, DE, DK, DM,

DO, DZ, EC, EE, EG, ES, FI, GB, GD, GE, GH, GM, GT,
HN, HR, HU, ID, IL, IN, IR, IS, JP, KE, KG, KN, KP, KR,
KZ, LA, LC, LK, LR, LS, LU, LY, MA, MD, ME, MG,
MK, MN, MW, MX, MY, MZ, NA, NG, NI, NO, NZ, OM,
PA, PE, PG, PH, PL, PT, QA, RO, RS, RU, RW, SA, SC,
SD, SE, SG, SK, SL, SM, ST, SV, SY, TH, TJ, TM, TN,
TR, TT, TZ, UA, UG, US, UZ, VC, VN, ZA, ZM, ZW.

(84) Designated States (unless otherwise indicated, for every
kind of regional protection available): ARIPO (BW, GH,
GM, KE, LR, LS, MW, MZ, NA, RW, SD, SL, ST, SZ,
TZ, UG, ZM, ZW), Eurasian (AM, AZ, BY, KG, KZ, RU,
TJ, TM), European (AL, AT, BE, BG, CH, CY, CZ, DE,
DK, EE, ES, FI, FR, GB, GR, HR, HU, IE, IS, IT, LT, LU,
LV, MC, MK, MT, NL, NO, PL, PT, RO, RS, SE, SI, SK,
SM, TR), OAPI (BF, BJ, CF, CG, CI, CM, GA, GN, GQ,
GW, KM, ML, MR, NE, SN, TD, TG).

Published:

- with international search report (Art. 21(3))
- before the expiration of the time limit for amending the
claims and to be republished in the event of receipt of
amendments (Rule 48.2(h))

(88) Date of publication of the international search report:
31 March 2016

(54) Title: APPARATUS AND METHODS FOR SECURING ACCESSORIES TO A HELMET

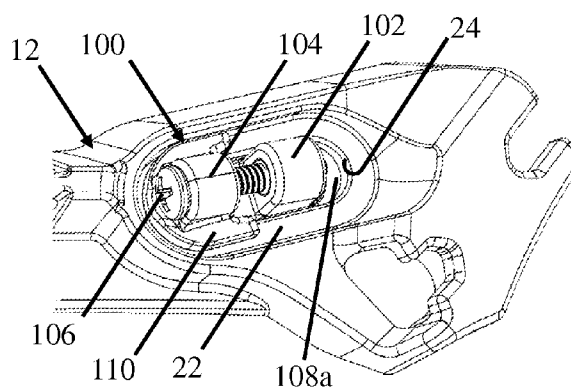
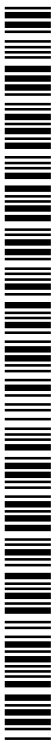


Fig. 5

(57) Abstract: Attachment systems for attaching accessories to a helmet shell and their methods of use are described. In one embodiment, an attachment system (100) may include a first attachment portion (102) mounted to a helmet shell (10) and extending through an opening (24) in an associated accessory. The attachment system (100) also may include a second attachment portion (104) that is selectively connectable to the first attachment portion (102). A surface of the second attachment portion (104) facing the helmet shell (10) engages with a bearing surface (22) of the accessory to selectively attach the accessory to the helmet shell (10). In certain embodiments, the first and second attachment portions may be selectively connected to one another using a connector (106) that moves the second attachment portion both vertically and horizontally relative to the first attachment portion when the connector is tightened.



INTERNATIONAL SEARCH REPORT

International application No
PCT/IB2015/001612

A. CLASSIFICATION OF SUBJECT MATTER
INV. A42B3/04
ADD.

According to International Patent Classification (IPC) or to both national classification and IPC

B. FIELDS SEARCHED
Minimum documentation searched (classification system followed by classification symbols)
A42B

Documentation searched other than minimum documentation to the extent that such documents are included in the fields searched

Electronic data base consulted during the international search (name of data base and, where practicable, search terms used)
EPO-Internal, WPI Data

C. DOCUMENTS CONSIDERED TO BE RELEVANT

Category*	Citation of document, with indication, where appropriate, of the relevant passages	Relevant to claim No.
X	US 8 214 920 B1 (EDGAR FREDERICK P [US] ET AL) 10 July 2012 (2012-07-10) column 4, lines 23-41; figures 10a,10b -----	1-3,5-9, 19,20, 22,23
A	US 2014/033406 A1 (LEBEL STEPHANE [CA] ET AL) 6 February 2014 (2014-02-06) paragraphs [0024] - [0027]; figures 1b,2a -----	1,19
A	US 2013/291290 A1 (BERNIER DOMINIC GIROUX [CA] ET AL) 7 November 2013 (2013-11-07) paragraphs [0045] - [0047]; figures 4a,4c -----	1,19

Further documents are listed in the continuation of Box C.

See patent family annex.

* Special categories of cited documents :

- "A" document defining the general state of the art which is not considered to be of particular relevance
- "E" earlier application or patent but published on or after the international filing date
- "L" document which may throw doubts on priority claim(s) or which is cited to establish the publication date of another citation or other special reason (as specified)
- "O" document referring to an oral disclosure, use, exhibition or other means
- "P" document published prior to the international filing date but later than the priority date claimed

- "T" later document published after the international filing date or priority date and not in conflict with the application but cited to understand the principle or theory underlying the invention
- "X" document of particular relevance; the claimed invention cannot be considered novel or cannot be considered to involve an inventive step when the document is taken alone
- "Y" document of particular relevance; the claimed invention cannot be considered to involve an inventive step when the document is combined with one or more other such documents, such combination being obvious to a person skilled in the art
- "&" document member of the same patent family

Date of the actual completion of the international search

18 November 2015

Date of mailing of the international search report

02/02/2016

Name and mailing address of the ISA/
European Patent Office, P.B. 5818 Patentlaan 2
NL - 2280 HV Rijswijk
Tel. (+31-70) 340-2040,
Fax: (+31-70) 340-3016

Authorized officer

D'Souza, Jennifer

INTERNATIONAL SEARCH REPORT

Information on patent family members

International application No

PCT/IB2015/001612

Patent document cited in search report	Publication date	Patent family member(s)	Publication date
US 8214920	B1	10-07-2012	NONE

US 2014033406	A1	06-02-2014	US 2014033406 A1 06-02-2014
			WO 2014020441 A2 06-02-2014

US 2013291290	A1	07-11-2013	NONE

INTERNATIONAL SEARCH REPORT

International application No.
PCT/IB2015/001612

Box No. II Observations where certain claims were found unsearchable (Continuation of item 2 of first sheet)

This international search report has not been established in respect of certain claims under Article 17(2)(a) for the following reasons:

1. Claims Nos.:
because they relate to subject matter not required to be searched by this Authority, namely:

2. Claims Nos.:
because they relate to parts of the international application that do not comply with the prescribed requirements to such an extent that no meaningful international search can be carried out, specifically:

3. Claims Nos.:
because they are dependent claims and are not drafted in accordance with the second and third sentences of Rule 6.4(a).

Box No. III Observations where unity of invention is lacking (Continuation of item 3 of first sheet)

This International Searching Authority found multiple inventions in this international application, as follows:

see additional sheet

1. As all required additional search fees were timely paid by the applicant, this international search report covers all searchable claims.

2. As all searchable claims could be searched without effort justifying an additional fees, this Authority did not invite payment of additional fees.

3. As only some of the required additional search fees were timely paid by the applicant, this international search report covers only those claims for which fees were paid, specifically claims Nos.:

4. No required additional search fees were timely paid by the applicant. Consequently, this international search report is restricted to the invention first mentioned in the claims; it is covered by claims Nos.:
1-10, 19-24

Remark on Protest

- The additional search fees were accompanied by the applicant's protest and, where applicable, the payment of a protest fee.
- The additional search fees were accompanied by the applicant's protest but the applicable protest fee was not paid within the time limit specified in the invitation.
- No protest accompanied the payment of additional search fees.

FURTHER INFORMATION CONTINUED FROM PCT/ISA/ 210

This International Searching Authority found multiple (groups of) inventions in this international application, as follows:

1. claims: 1-10, 19-24

An attachment system comprising:
a first attachment portion constructed and arranged to be mounted to a helmet shell, wherein the first attachment portion is constructed and arranged to extend through an opening in an accessory; and
a second attachment portion selectively connectable to the first attachment portion, wherein a surface of the second attachment portion that faces the helmet shell is constructed and arranged to engage a bearing surface of the accessory to selectively attach the accessory to the helmet shell when the second attachment portion is connected to the first attachment portion.

2. claims: 11-18

An attachment system comprising:
a first attachment portion constructed and arranged to be mounted to a helmet shell;
a second attachment portion;
a connector constructed and arranged to selectively connect the second attachment portion to the first attachment portion, wherein when the connector is tightened, the second attachment portion moves both vertically and horizontally relative to the first attachment portion and engages a bearing surface of an accessory to selectively attach the accessory to the helmet shell when the second attachment portion is connected to the first attachment portion.
