



(12) **United States Design Patent**
Zhang et al.

(10) **Patent No.:** **US D1,069,736 S**
(45) **Date of Patent:** **** Apr. 8, 2025**

- (54) **WINCH REMOTE CONTROL**
- (71) Applicant: **T-MAX (HANGZHOU) TECHNOLOGY CO., LTD.**, Hangzhou (CN)
- (72) Inventors: **Hanxin Zhang**, Hangzhou (CN); **Yiming Wang**, Hangzhou (CN); **Hangfei Yu**, Hangzhou (CN); **Taotao Li**, Hangzhou (CN)
- (73) Assignee: **T-MAX (HANGZHOU) TECHNOLOGY CO., LTD.**, Hangzhou (CN)
- (**) Term: **15 Years**
- (21) Appl. No.: **29/910,997**
- (22) Filed: **Aug. 28, 2023**
- (30) **Foreign Application Priority Data**

D727,906 S * 4/2015 Neumann D14/453
 D766,843 S * 9/2016 Fretz D13/168
 (Continued)

FOREIGN PATENT DOCUMENTS

CN 302725939 * 1/2014
 CN 305098467 * 4/2019
 (Continued)

OTHER PUBLICATIONS

Overland Vehicle Systems 19099901 Scar Off Road 12V Electric Winch with Synthetic Rope & Wireless Remote, dated Mar. 10, 2019, [online], [site visited Nov. 19, 2024]. Available from Internet, URL: <https://www.amazon.com/Overland-Vehicle-Systems-Recovery-Synthetic/dp/B0CN3WR9BC> (Year: 2019).
 (Continued)

Primary Examiner — Shawn T Gingrich
Assistant Examiner — Jorge Serrano Rodriguez
 (74) *Attorney, Agent, or Firm* — Osha Bergman Watanabe & Burton LLP

- Apr. 23, 2023 (CN) 202330228722.2
- (51) **LOC (15) Cl.** **14-03**
- (52) **U.S. Cl.**
USPC **D13/168**
- (58) **Field of Classification Search**
USPC D13/102, 103, 107, 108, 110, 112, 118, D13/119, 122, 123, 133, 146, 147, 158, D13/168, 171; D14/218
CPC G08C 17/00; G08C 17/02; G08C 17/04; G08C 19/00; G08C 19/20; G08C 19/28; G08C 2201/51; G08C 2201/53; G05B 2219/23051; H04B 1/202; H04B 10/114; H01H 2231/032; H01H 2223/04; H01H 3/02; H01H 13/14; H01H 23/04; H01H
 (Continued)

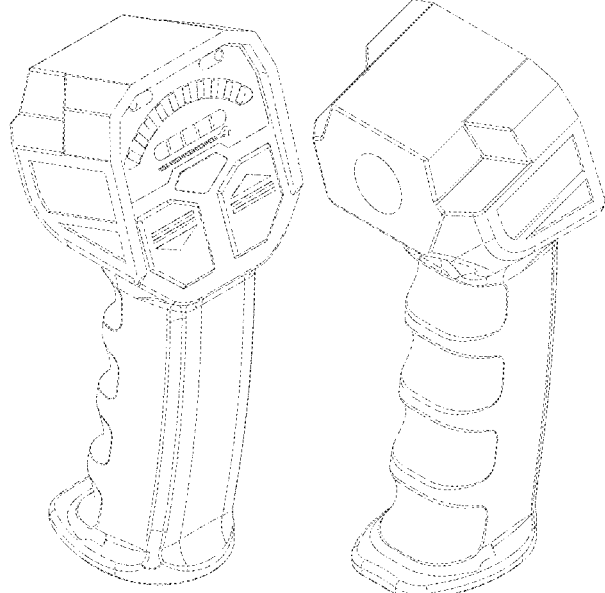
(57) **CLAIM**
 The ornamental design for a winch remote control as shown and described.

DESCRIPTION

FIG. 1 is a front elevation view of a winch remote control; FIG. 2 is a rear elevation view thereof; FIG. 3 is a left side elevation view thereof; FIG. 4 is a right side elevation view thereof; FIG. 5 is a top plan view thereof; FIG. 6 is a bottom plan view thereof; FIG. 7 is a first perspective view thereof; and, FIG. 8 is a second perspective view thereof.

- (56) **References Cited**
U.S. PATENT DOCUMENTS
 5,614,701 A * 3/1997 Hung H01H 9/0214
 200/243

1 Claim, 7 Drawing Sheets



(58) **Field of Classification Search**

CPC 9/02; H01H 9/0235; B66D 1/12; B66D 1/40;
B66D 1/46; B66D 1/485

See application file for complete search history.

(56) **References Cited**

U.S. PATENT DOCUMENTS

D867,309 S * 11/2019 Detering D13/168
D931,237 S * 9/2021 Elliott D13/168
D939,451 S * 12/2021 Tripp D13/168
D1,009,820 S * 1/2024 Howell D14/134
D1,023,981 S * 4/2024 Voortmann D13/168
D1,026,393 S * 5/2024 Voortmann D13/168
2021/0147198 A1 * 5/2021 Tong B66D 3/20

FOREIGN PATENT DOCUMENTS

CN 306479509 * 4/2021
CN 308232555 * 9/2023

OTHER PUBLICATIONS

@karttrailerparts2640, How to change battery in Kartt winch remote, dated Mar. 24, 2023, [online], [site visited Nov. 19, 2024]. Available from Internet, URL: <https://www.youtube.com/shorts/Bh1J5OkXCcE> (Year: 2023).*

Rough Country, 13,000LB Torque Winch, dated Jul. 19, 2024, [online], [site visited Nov. 19, 2024]. Available from Internet, URL: https://www.youtube.com/watch?v=zVVg8r4_PU4 (Year: 2024).*

T-Max ForceView Titan Series 12v IP68 Waterproof Winch, dated Jul. 19, 2024, [online], [site visited Nov. 19, 2024]. Available from Internet, URL: <https://www.asli4x4.com/products/t-max-x-power-gen2-series-winch> (Year: 2024).*

* cited by examiner

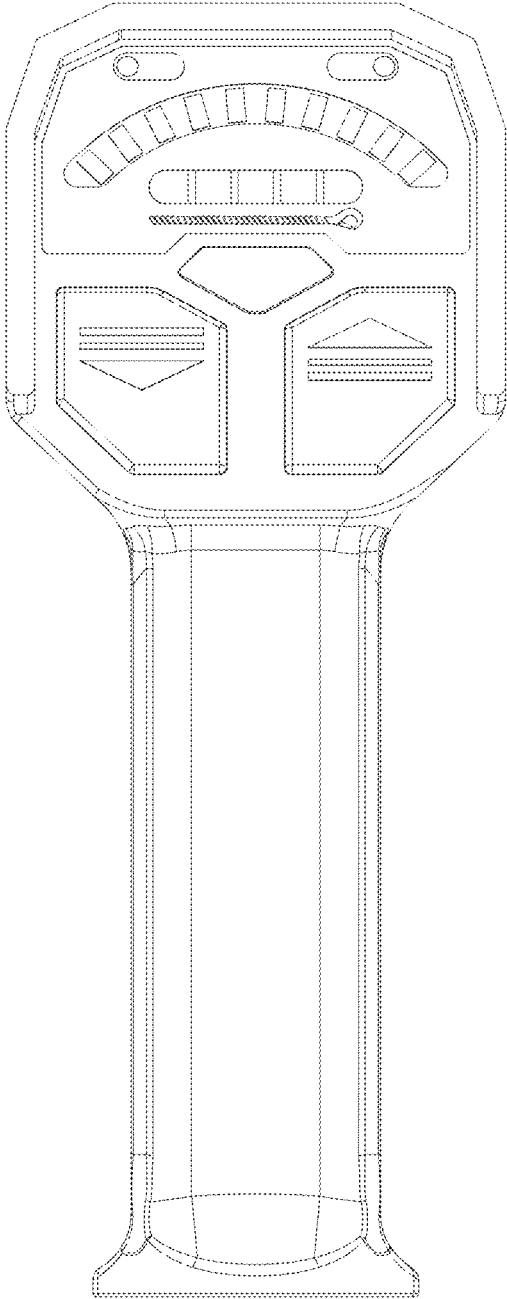


FIG. 1

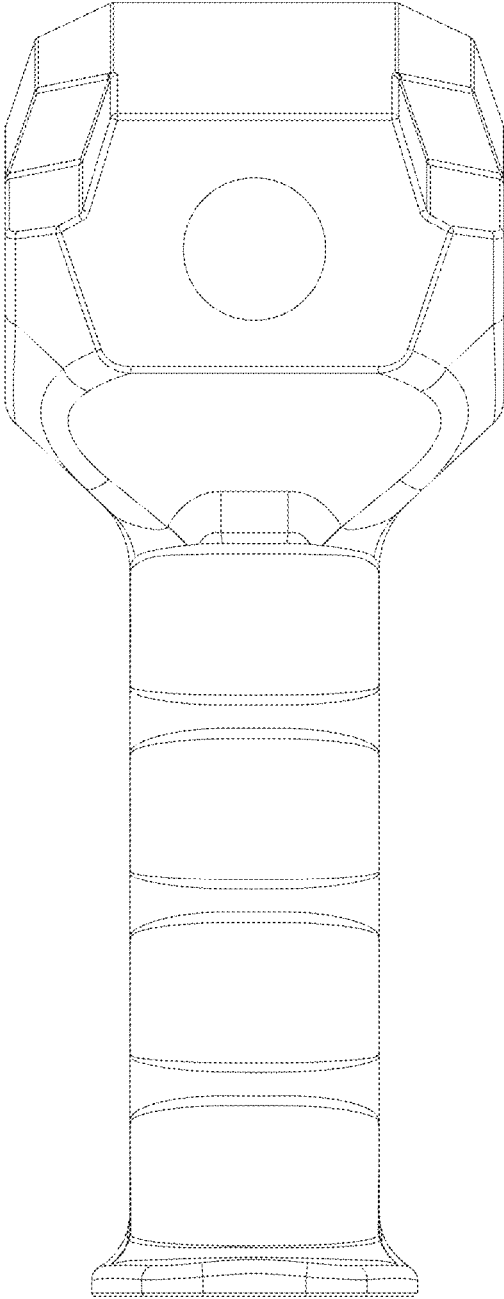


FIG. 2

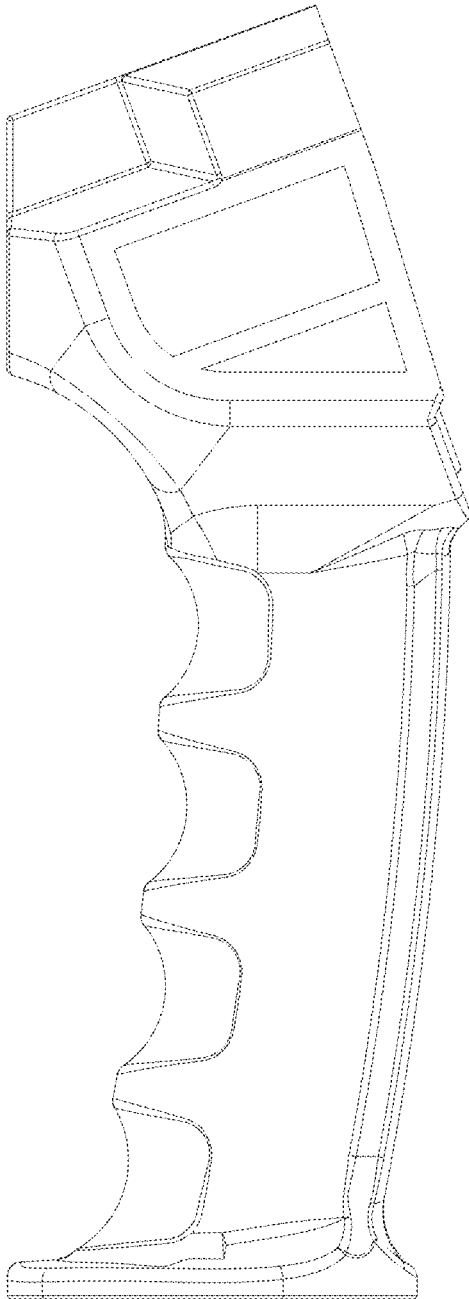


FIG. 3

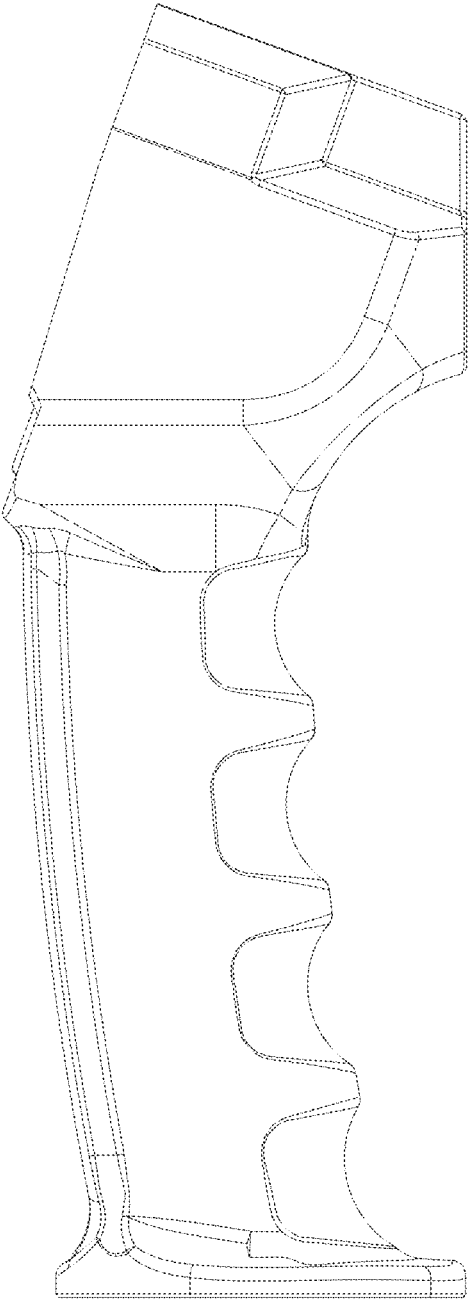


FIG. 4

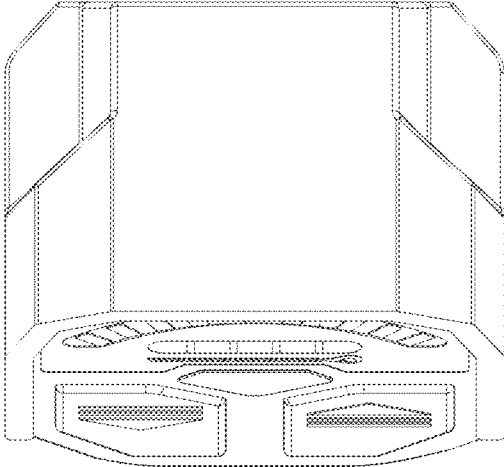


FIG. 5

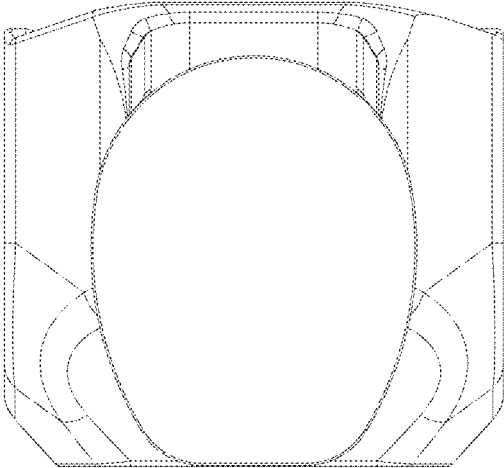


FIG. 6

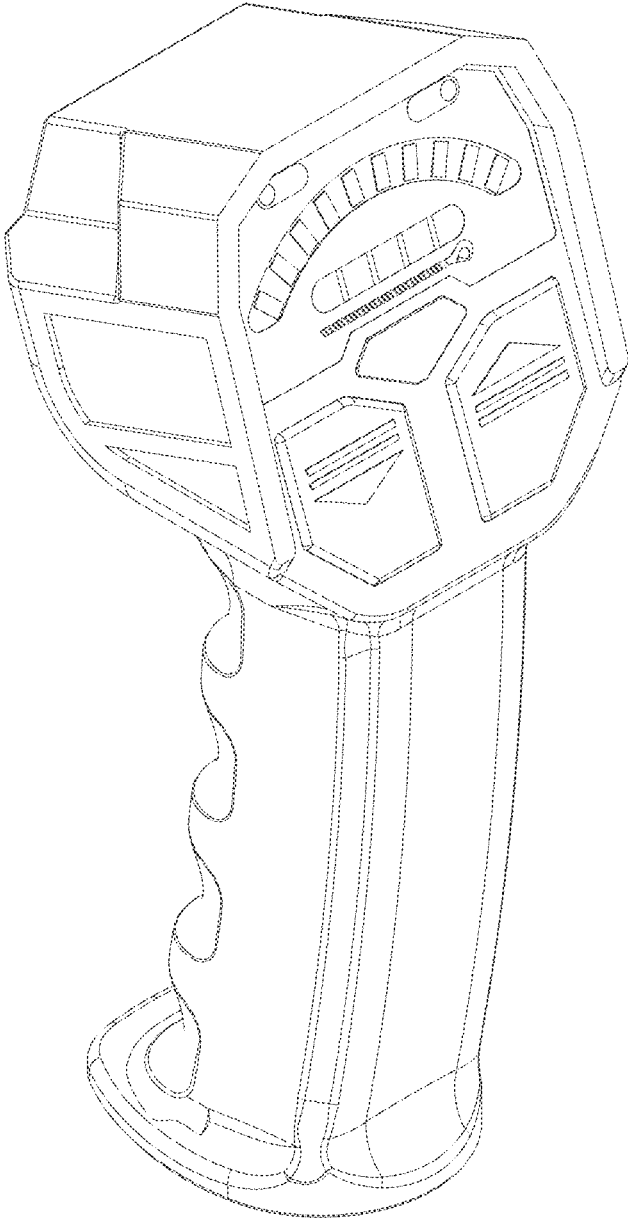


FIG. 7

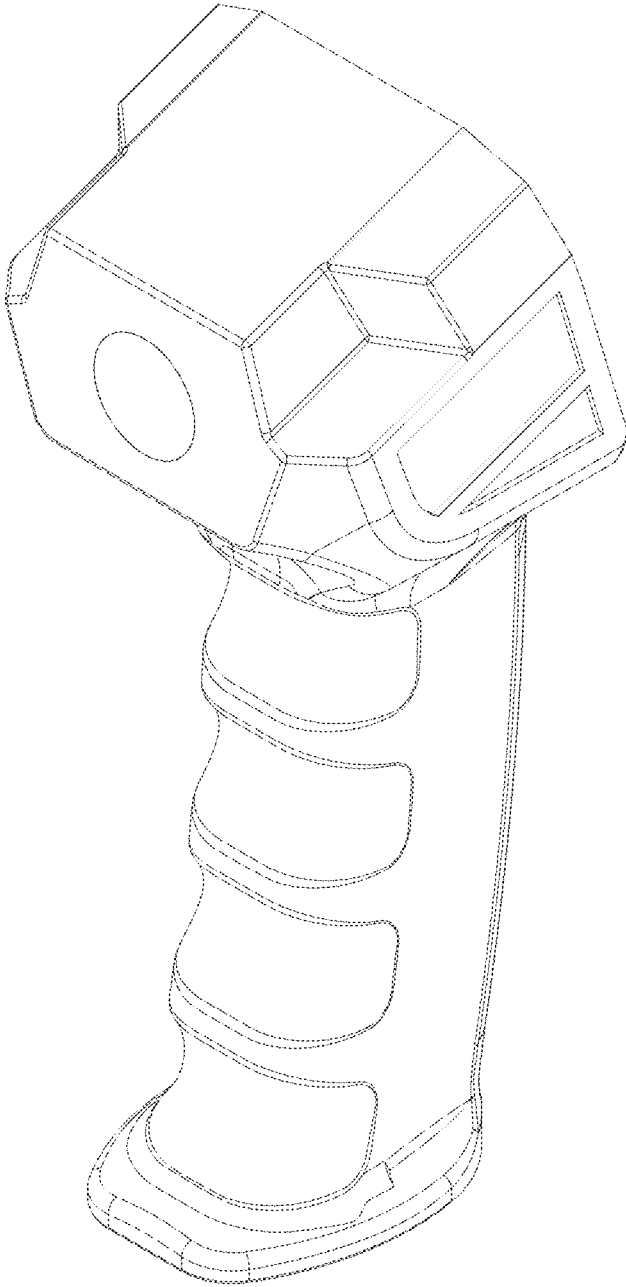


FIG. 8