



(12) **United States Design Patent**
Nie

(10) **Patent No.:** **US D930,384 S**
(45) **Date of Patent:** **** Sep. 14, 2021**

(54) **SOFA**
(71) Applicant: **Weiyuan Nie**, Liuyang (CN)
(72) Inventor: **Weiyuan Nie**, Liuyang (CN)
(**) Term: **15 Years**
(21) Appl. No.: **29/745,807**

D859,874 S * 9/2019 Lipparini D6/381
D871,791 S * 1/2020 Carter D6/377
D893,215 S * 8/2020 Qiu D6/381
2018/0303243 A1* 10/2018 Policicchio G11C 11/2273
2020/0121090 A1* 4/2020 Romano A47C 15/00

FOREIGN PATENT DOCUMENTS

EM 005586005-0001 * 8/2018
EM 008403042-0029 * 1/2021

OTHER PUBLICATIONS

Homelegance Dunstan 2-Piece Dark Gray Sectional Sofa Set [online], [site visited Jul. 28, 2021]. Available from internet, URL: <https://www.blvdhome.com/product/homelegance-dunstan-2-piece-dark-gray-sectional-sofa-set-9367dgsc-690734> (Year: 2021).
Indivi Corner Sofa with Lounging Unit [online], [site visited Jul. 28, 2021]. Available from internet, URL: <https://www.boconcept.com/en-us/indivi/4206058NS702307.html> (Year: 2021).*

(Continued)

Primary Examiner — Cynthia Ramirez
Assistant Examiner — Xavier Marti-Santos

(22) Filed: **Aug. 10, 2020**
(51) **LOC (13) Cl.** **06-01**
(52) **U.S. Cl.**
USPC **D6/381**
(58) **Field of Classification Search**
USPC D6/334–336, 349, 369, 377, 379, 381
CPC A47C 17/00; A47C 17/02; A47C 17/04;
A47C 17/045; A47C 17/12; A47C 17/13;
A47C 17/132; A47C 17/134; A47C
17/136; A47C 17/16; A47C 17/162; A47C
17/17; A47C 17/18; A47C 17/86
See application file for complete search history.

(56) **References Cited**

U.S. PATENT DOCUMENTS

D488,315 S * 4/2004 Natuzzi D6/377
D489,544 S * 5/2004 Nastri D6/377
D498,941 S * 11/2004 Ricci D6/335
D584,522 S * 1/2009 Ricci D6/381
D600,042 S * 9/2009 Natuzzi D6/381
D677,493 S * 3/2013 Masson D6/381
D717,063 S * 11/2014 Zhang D6/381
D719,757 S * 12/2014 Sonmez D6/381
D719,758 S * 12/2014 Sonmez D6/381
D726,436 S * 4/2015 Podsiadlo D6/381
D731,198 S * 6/2015 Podsiadlo D6/381
D737,594 S * 9/2015 Rafieha D6/381
D802,322 S * 11/2017 Velez D6/381
D841,355 S * 2/2019 Citterio D6/381

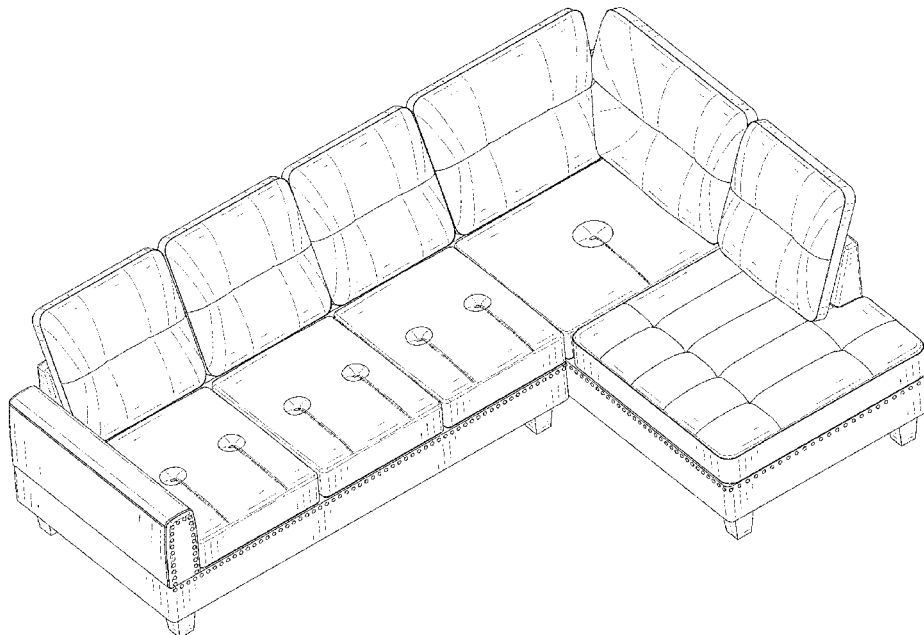
(57) **CLAIM**

The ornamental design for a sofa, as shown and described.

DESCRIPTION

FIG. 1 is a perspective view of a sofa showing my new design;
FIG. 2 is another perspective view thereof;
FIG. 3 is a front elevational view thereof;
FIG. 4 is a rear elevational view thereof;
FIG. 5 is a left side elevational view thereof;
FIG. 6 is a right side elevational view thereof;
FIG. 7 is a top plan view thereof; and,
FIG. 8 is a bottom plan view thereof.

1 Claim, 8 Drawing Sheets



(56)

References Cited

OTHER PUBLICATIONS

Beverly Fine Furniture Andes Microfiber with Faux Leather Sofa Set [online], [site visited Jul. 28, 2021]. Available from internet, URL: <https://www.amazon.com/Beverly-Fine-Furniture-F104A-Microfiber/dp/B076Q6YMVC/ref=sr_1_193?dchild=1&keywords=Green+Sectional+Sofa+With+Chaise&qid=1627477129&sr=8-193> (Year: 2019).*

HONBAY Reversible Sectional Sofa [online], [site visited Jul. 28, 2021]. Available from internet, URL: <<https://www.amazon.com/HONBAY-Reversible-Sectional-L-Shape-Apartment/dp/B07ZHCZ5K1/>> (Year: 2019).*

Lucy Dark Grey 2 Piece 114" Sectional With Left Arm Facing Chaise [online], [site visited Jul. 28, 2021]. Available from internet, URL: <<https://www.livingspaces.com/pdp-lucy-dark-grey-2-piece-sectional-wlaf-chaise-225972>> (Year: 2021).*

GREY Sophy 98" Wide Linen Right Hand Facing Sofa & Chaise [online], [site visited Jul. 28, 2021]. Available from internet, URL: <<https://www.daydreamdecorstore.com/store/GREY-Sophy-98-Wide-Linen-Right-Hand-Facing-Sofa-&-Chaise-p365887893>> (Year: 2021).*

* cited by examiner

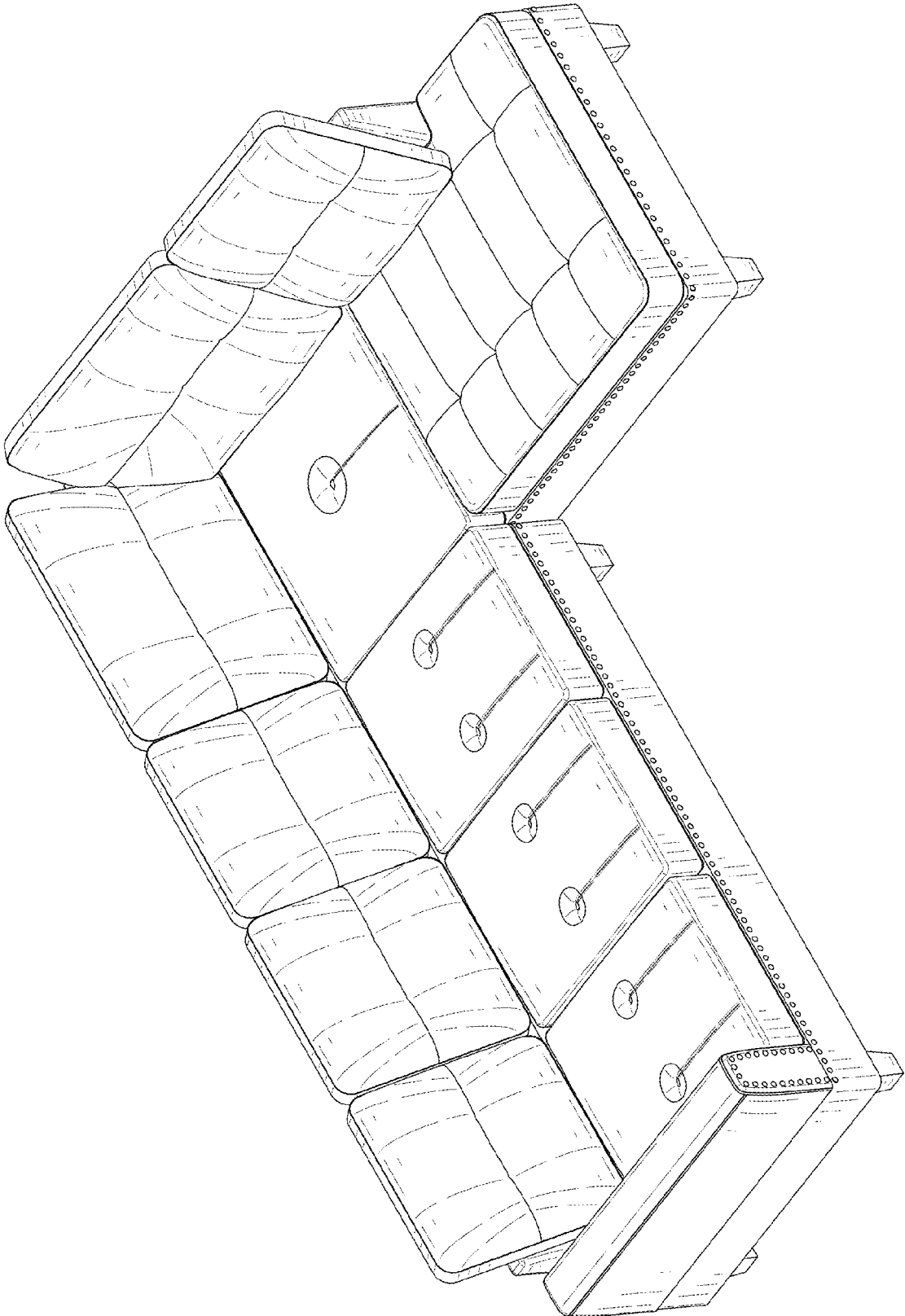


FIG. 1

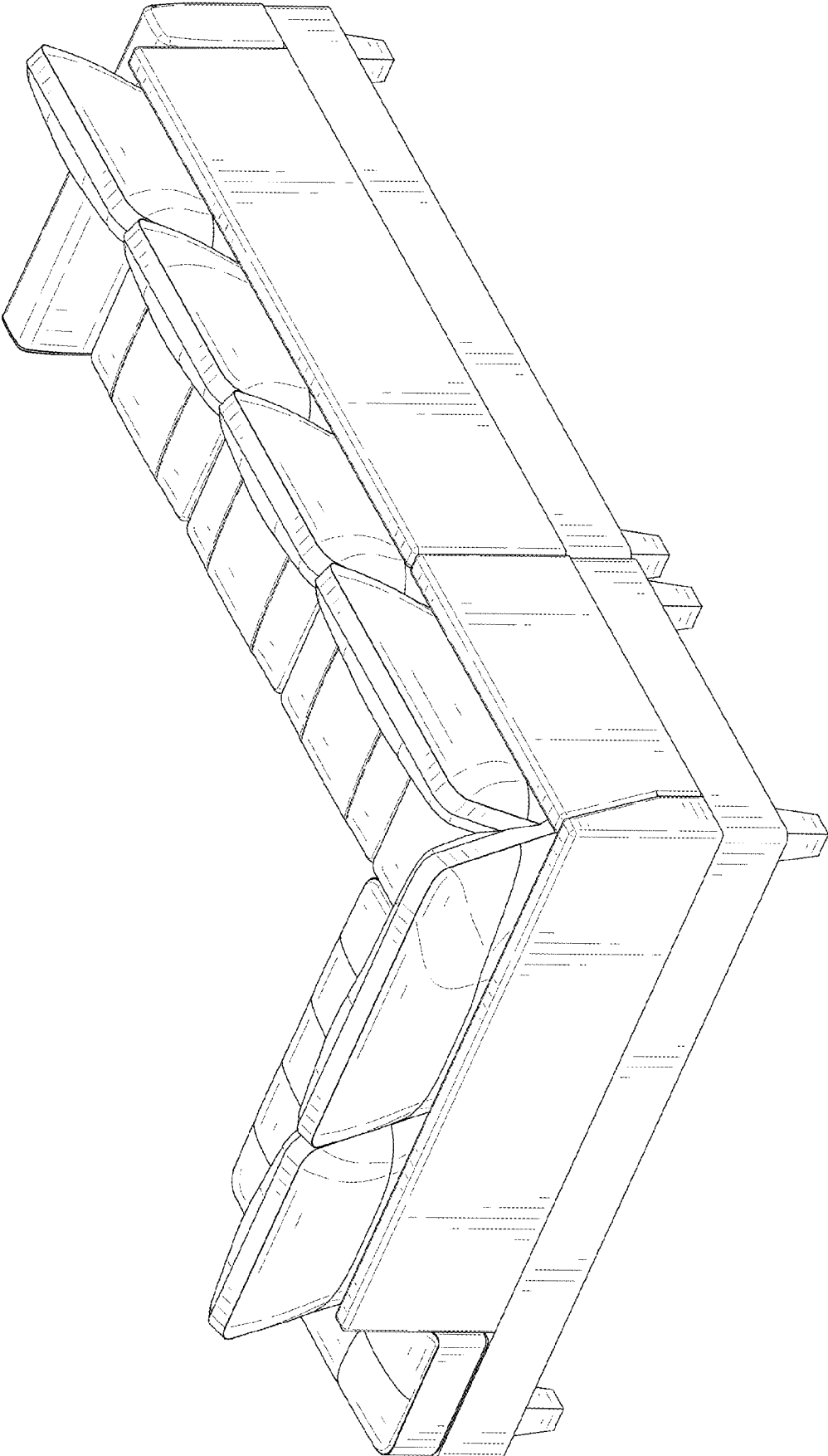


FIG. 2

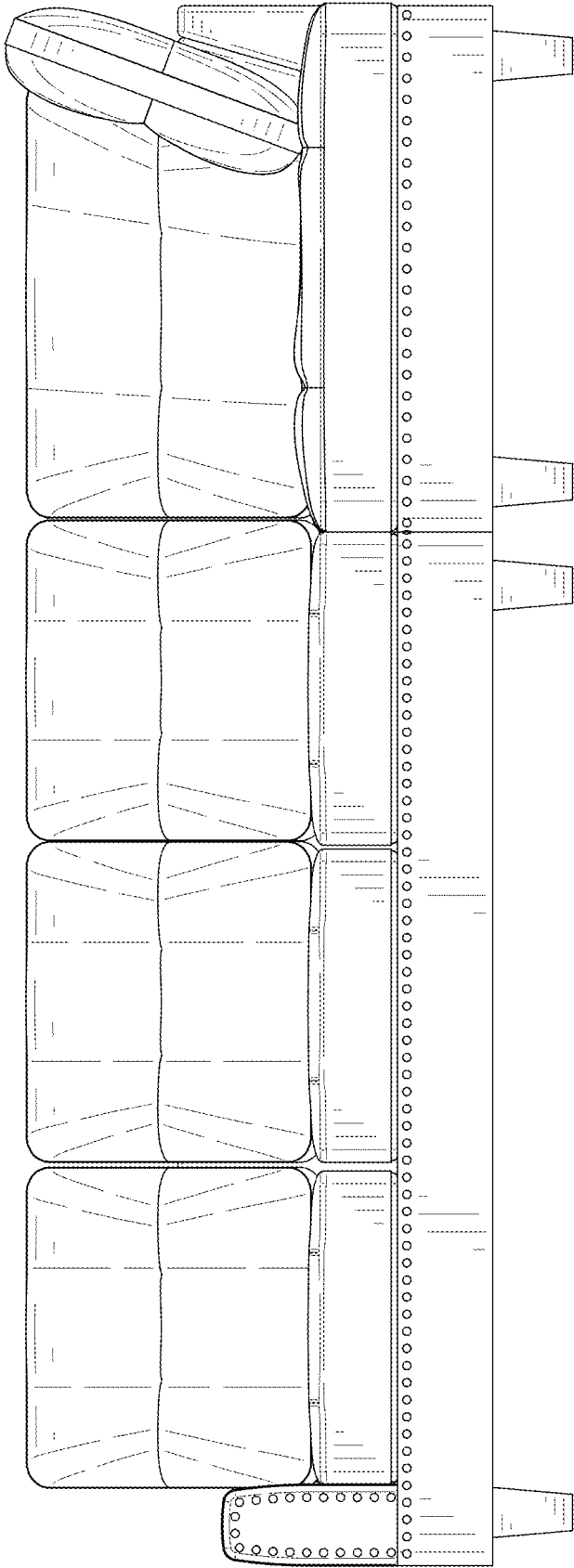


FIG. 3

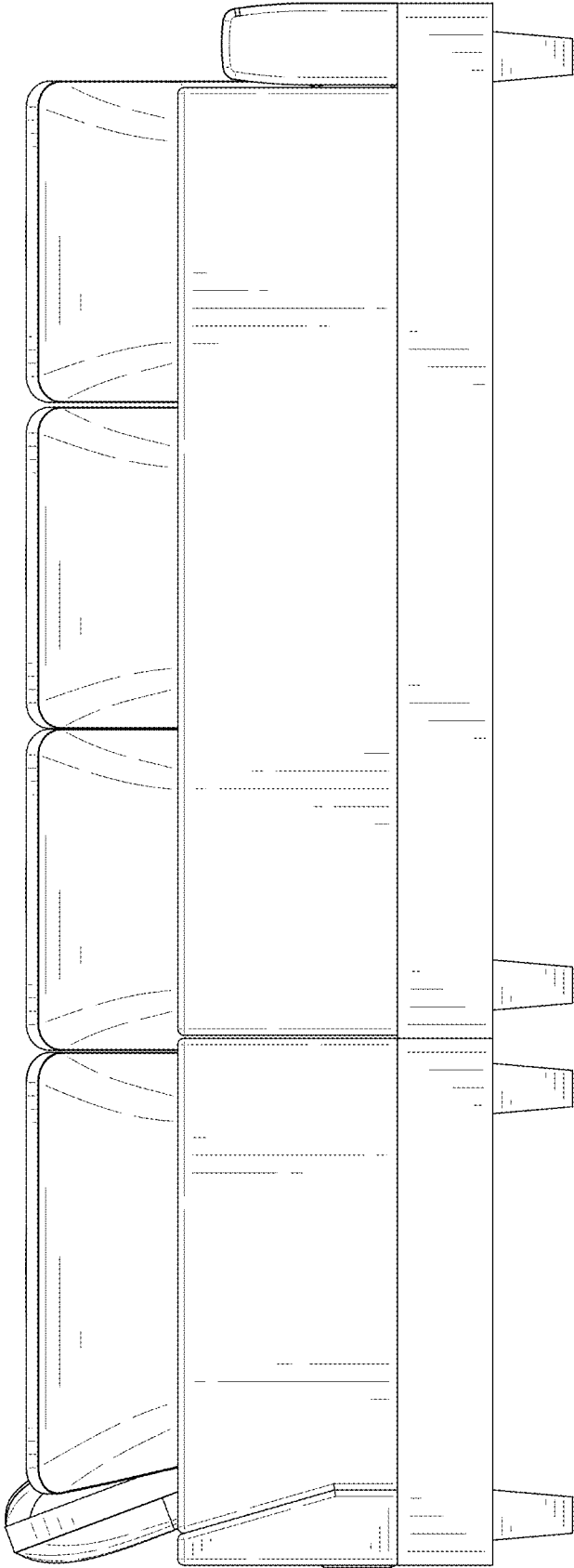


FIG. 4

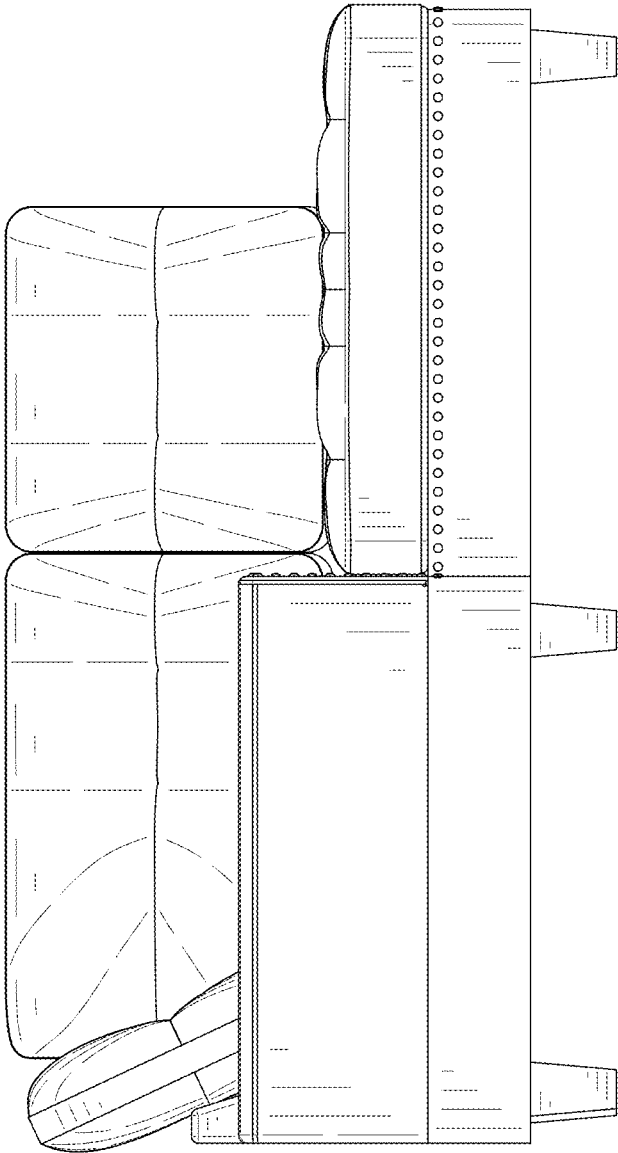


FIG. 5

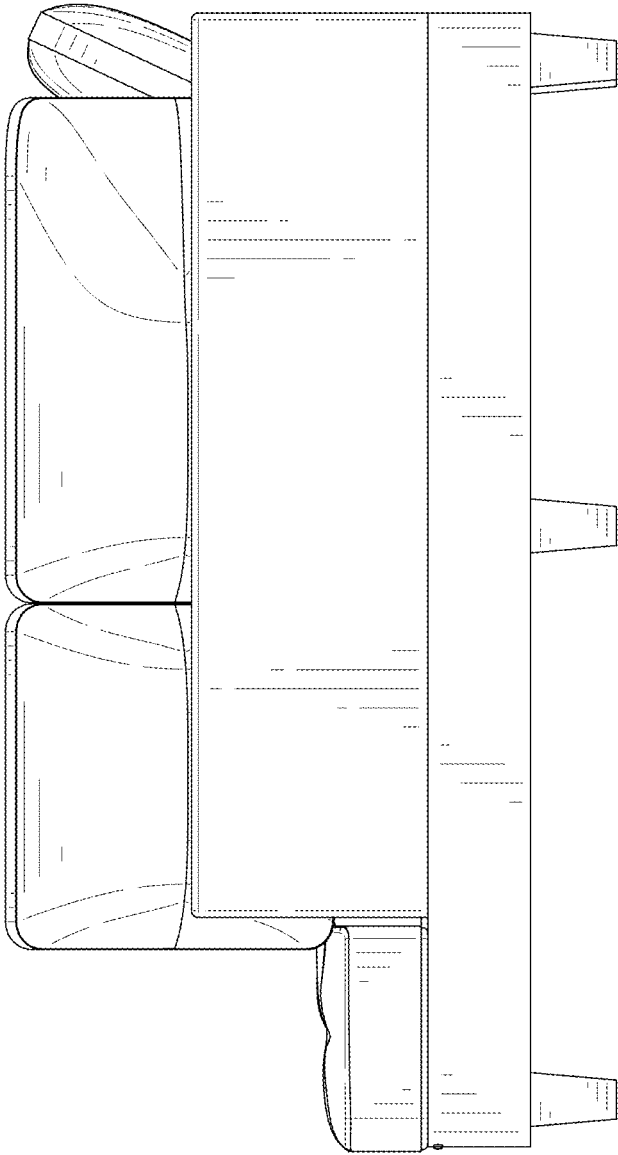


FIG. 6

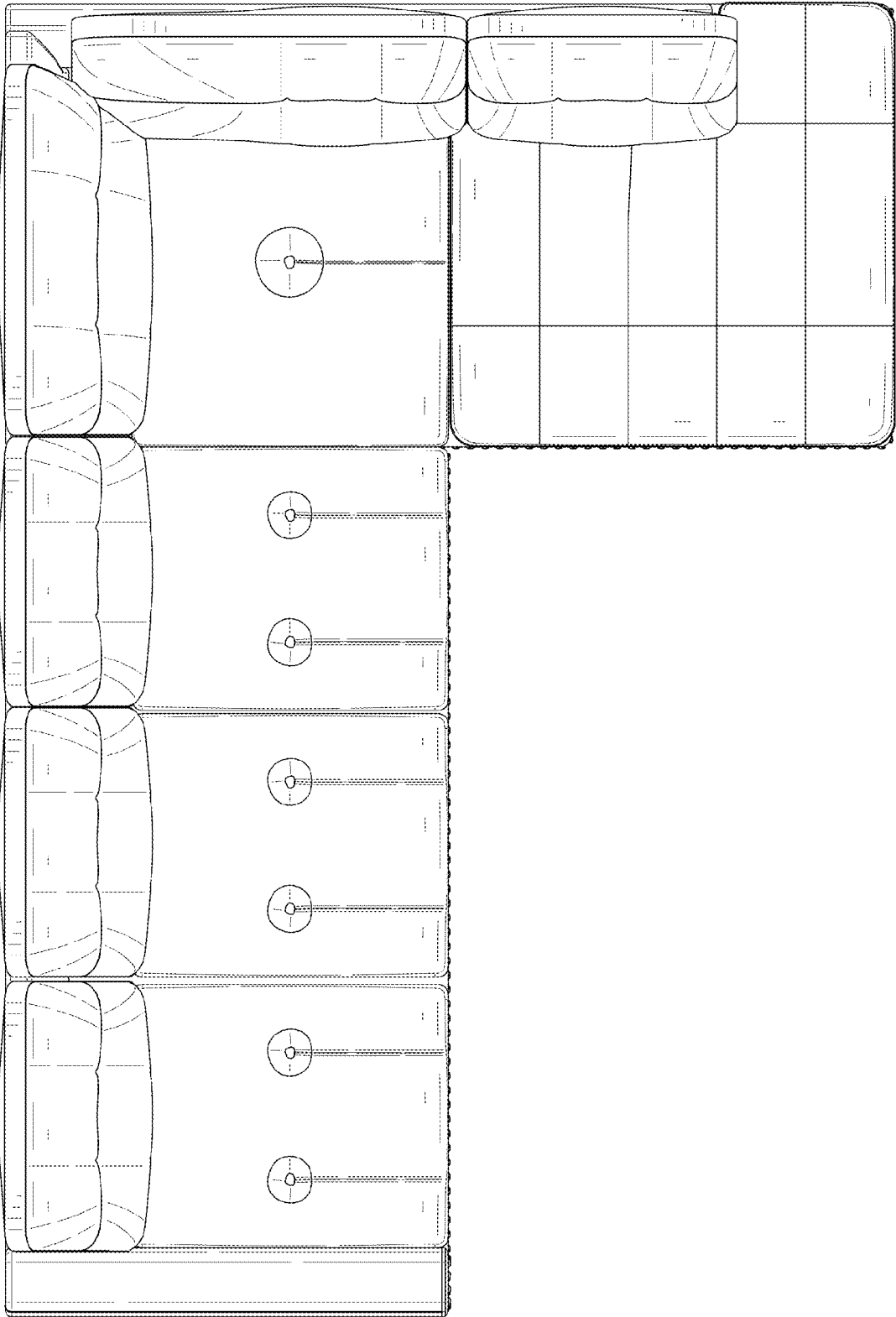


FIG. 7

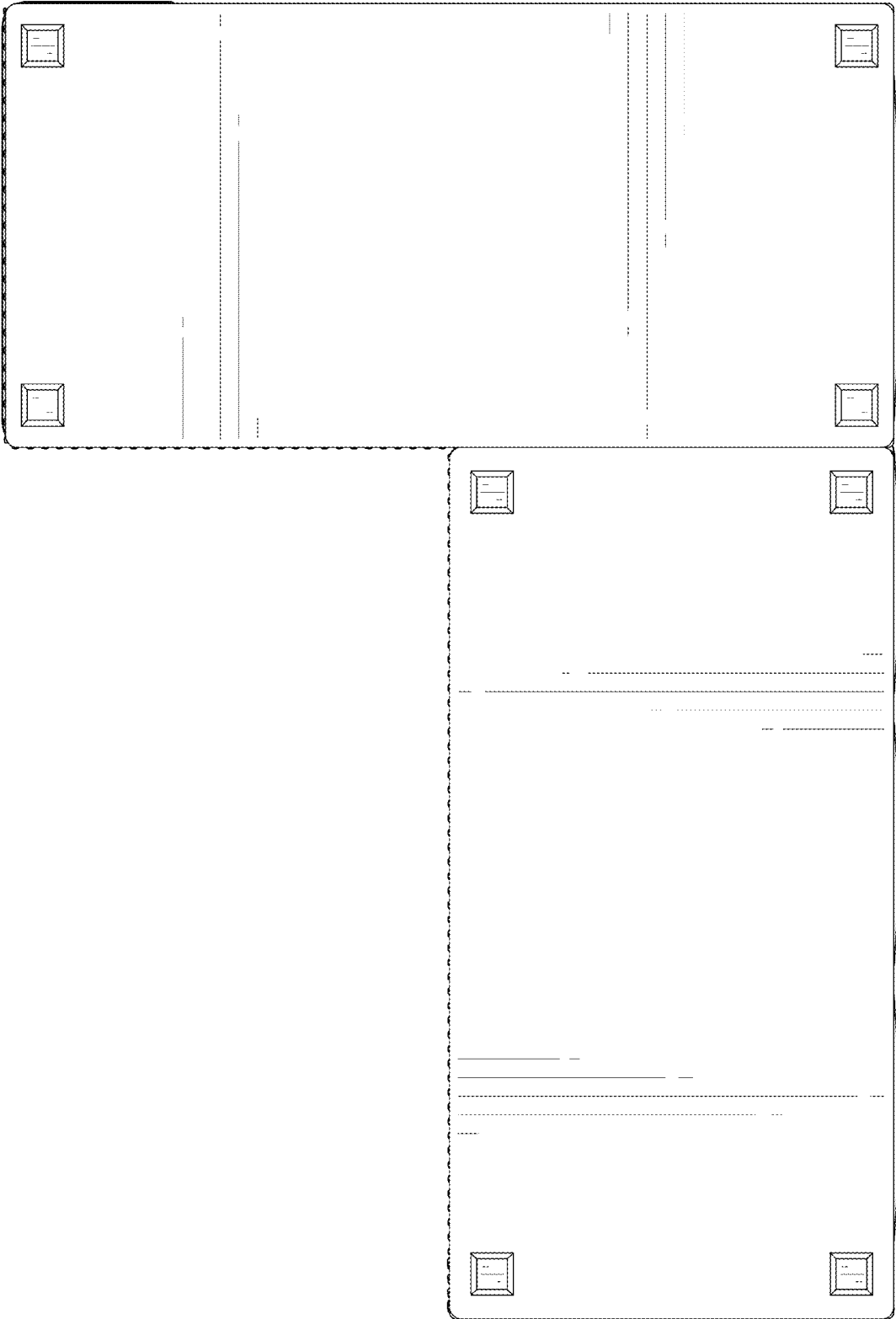


FIG. 8