



(12) **United States Design Patent**
Distefano et al.

(10) **Patent No.:** **US D1,025,012 S**
(45) **Date of Patent:** **** *Apr. 30, 2024**

(54) **LOUDSPEAKER**
(71) Applicant: **Harman International Industries, Incorporated**, Northridge, CA (US)

D750,596 S * 3/2016 Li D14/216
D754,104 S 4/2016 Yoon et al.
D754,629 S * 4/2016 Kim D14/204
(Continued)

(72) Inventors: **Dario Distefano**, Shenzhen (CN);
Soarivo Marina Andrianoely,
Shenzhen (CN)

OTHER PUBLICATIONS

Design U.S. Appl. No. 29/719,403, filed Jan. 3, 2020.
(Continued)

(73) Assignee: **Harman International Industries, Incorporated**, Northridge, CA (US)

Primary Examiner — Khawaja Anwar
Assistant Examiner — Megan Tiana Rakos
(74) *Attorney, Agent, or Firm* — Plumsea Law Group, LLC

(*) Notice: This patent is subject to a terminal disclaimer.

(**) Term: **15 Years**

(57) **CLAIM**

The ornamental design for a loudspeaker, as shown and described.

(21) Appl. No.: **29/813,915**

(22) Filed: **Nov. 2, 2021**

(51) **LOC (14) Cl.** **14-01**

(52) **U.S. Cl.**
USPC **D14/214**

(58) **Field of Classification Search**
USPC ... D14/125, 188, 204, 209.1, 210, 214, 217,
D14/496
CPC H04R 1/026; H04R 1/403; H04R 1/323;
H04R 3/12; H04R 2499/15; H04R
2205/022
See application file for complete search history.

DESCRIPTION

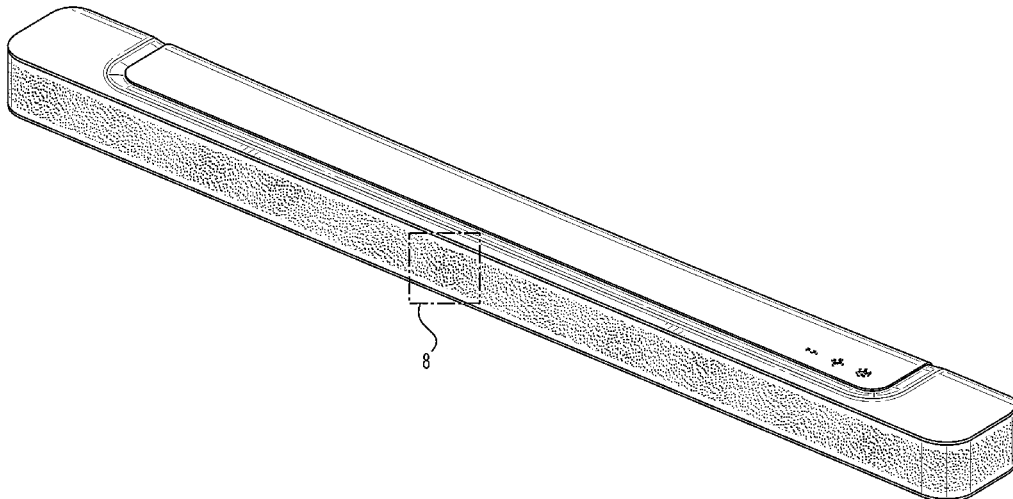
FIG. 1 is a top perspective view of a loudspeaker showing the new design;
FIG. 2 is a front elevational view thereof;
FIG. 3 is a rear elevational view thereof;
FIG. 4 is a side elevational view thereof;
FIG. 5 is an opposite side elevational view thereof;
FIG. 6 is a top view thereof;
FIG. 7 is a bottom view thereof; and,
FIG. 8 is a partial enlarged view according to the broken square 8 denoted in FIG. 1, showing that the grille illustrated by stippling in FIGS. 1-5 is in broken lines.
The evenly spaced broken lines in the figures illustrate portions of the loudspeaker that form no part of the claimed design. The dash-dot broken lines in the figures represent the boundaries of the claimed design and form no part of the claimed design. The line shading is provided merely to represent contours of the design and does not connote the character of the surfaces such as any specific texture, material, gloss, translucence, transparency, surface treatment, or surface decoration.

(56) **References Cited**

U.S. PATENT DOCUMENTS

D478,891 S *	8/2003	Hisatsune	D14/211
D484,252 S *	12/2003	Hughes	D25/121
D538,260 S *	3/2007	Wada	D14/188
D625,707 S	10/2010	Solland		
D631,866 S	2/2011	Solland		
D681,606 S *	5/2013	Nishii	D14/214
D709,481 S *	7/2014	Liu	D14/221
D711,852 S	8/2014	Mackiewicz et al.		
D715,768 S *	10/2014	Ryu	D14/214
D739,386 S	9/2015	Gattinger		
D743,940 S *	11/2015	Yang	D14/214

1 Claim, 8 Drawing Sheets



(56)

References Cited

U.S. PATENT DOCUMENTS

D756,968 S * 5/2016 Huang D14/215
 D758,343 S 6/2016 Lindenberger et al.
 D758,992 S 6/2016 Garrett et al.
 D768,603 S * 10/2016 Kim D14/214
 D782,444 S * 3/2017 Koo D14/214
 D783,574 S 4/2017 Garrett et al.
 D793,362 S 8/2017 Fischer
 D797,702 S * 9/2017 Valeur D14/212
 D800,693 S * 10/2017 Sugiura D14/210
 D803,183 S 11/2017 Lum et al.
 D806,055 S 12/2017 Fischer et al.
 D817,307 S 5/2018 Spillmann et al.
 D826,207 S * 8/2018 Kim D14/204
 D831,001 S * 10/2018 Sugiura D14/214
 D842,840 S * 3/2019 Choi D14/214
 D845,269 S * 4/2019 Yang D14/204
 D853,989 S 7/2019 Spillmann et al.
 D856,301 S * 8/2019 Lum D14/204
 D862,415 S 10/2019 Krizan et al.
 D868,726 S 12/2019 Kim et al.
 D874,426 S 2/2020 Kim
 D883,953 S * 5/2020 Chong D14/214
 D886,799 S * 6/2020 Yang D14/204
 D893,455 S 8/2020 Winton et al.
 D900,060 S * 10/2020 Oota D14/214
 D900,786 S * 11/2020 Kim D14/204

D909,331 S 2/2021 Sretovic
 D911,303 S * 2/2021 Yang D14/204
 D915,350 S * 4/2021 Kitazawa D14/214
 D918,170 S * 5/2021 Sugiura D14/204
 D918,858 S 5/2021 Kim et al.
 D918,869 S * 5/2021 Choi D14/214
 D920,279 S * 5/2021 Sugiura D14/204
 D924,836 S 7/2021 Brown et al.
 D926,721 S 8/2021 Kim
 D931,832 S * 9/2021 Kim D14/204
 D932,461 S * 10/2021 Hung D14/204
 D933,630 S * 10/2021 Sugiura D14/204
 D949,821 S * 4/2022 Hung D14/204
 D954,023 S * 6/2022 Andrianoely D14/204

OTHER PUBLICATIONS

Design U.S. Appl. No. 29/740,620, filed Jul. 6, 2020.
 Design U.S. Appl. No. 29/768,767, filed Feb. 1, 2021.
 Design U.S. Appl. No. 29/777,765, filed Apr. 8, 2021.
 Design U.S. Appl. No. 29/777,775, filed Apr. 8, 2021.
 Design U.S. Appl. No. 29/802,822, filed Apr. 8, 2021.
 Design U.S. Appl. No. 29/802,826, filed Apr. 8, 2021.
 Design U.S. Appl. No. 29/802,828, filed Apr. 8, 2021.
 Design U.S. Appl. No. 29/813,913, filed Nov. 2, 2021.
 Design U.S. Appl. No. 29/813,917, filed Nov. 2, 2021.
 Design U.S. Appl. No. 29/813,918, filed Nov. 2, 2021.

* cited by examiner

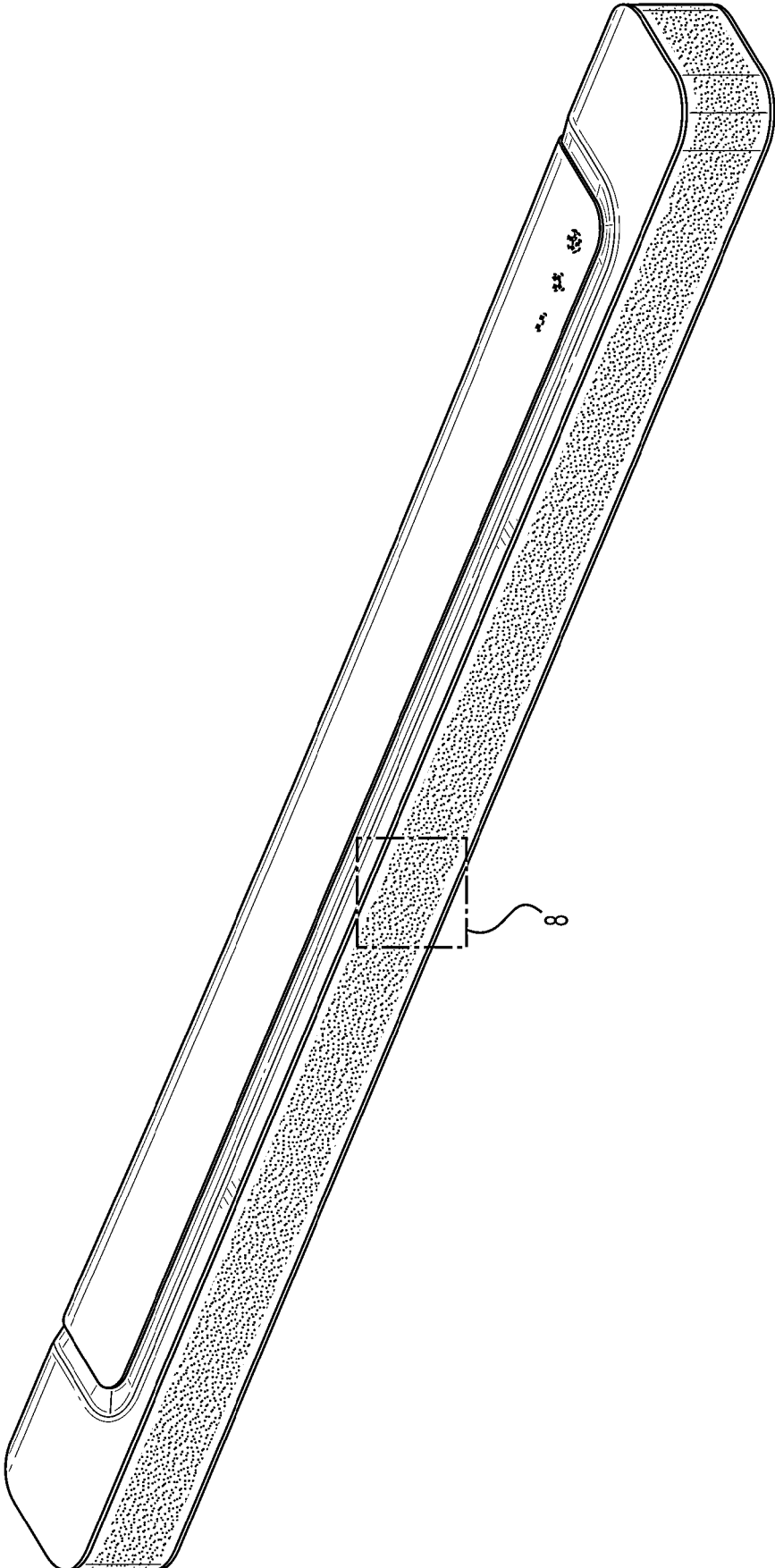


FIG. 1

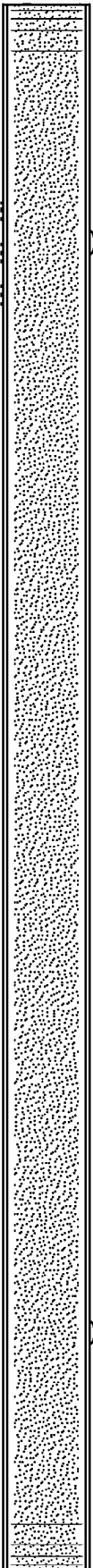


FIG. 2

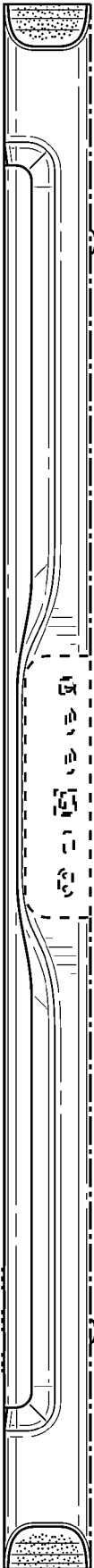


FIG. 3

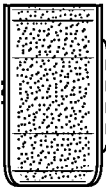


FIG. 4

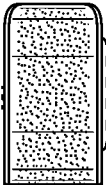


FIG. 5

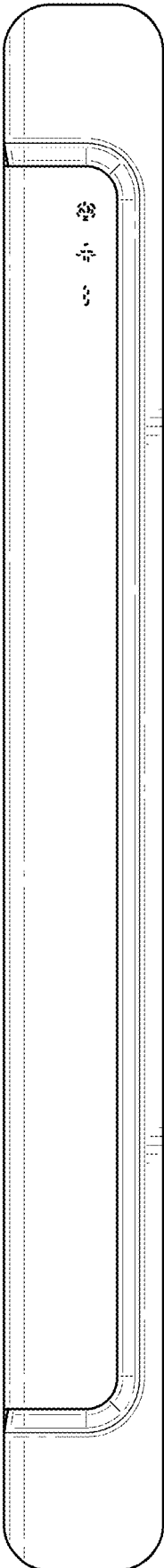


FIG. 6

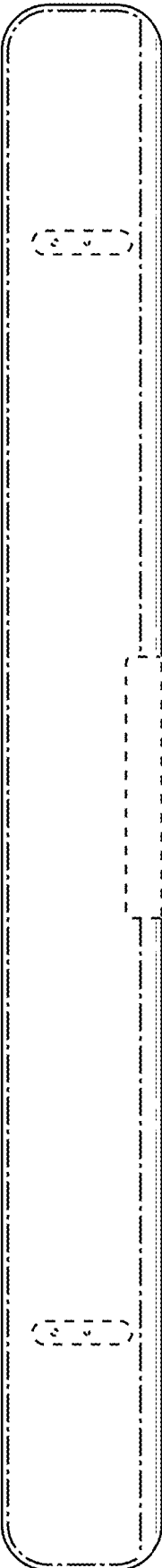


FIG. 7

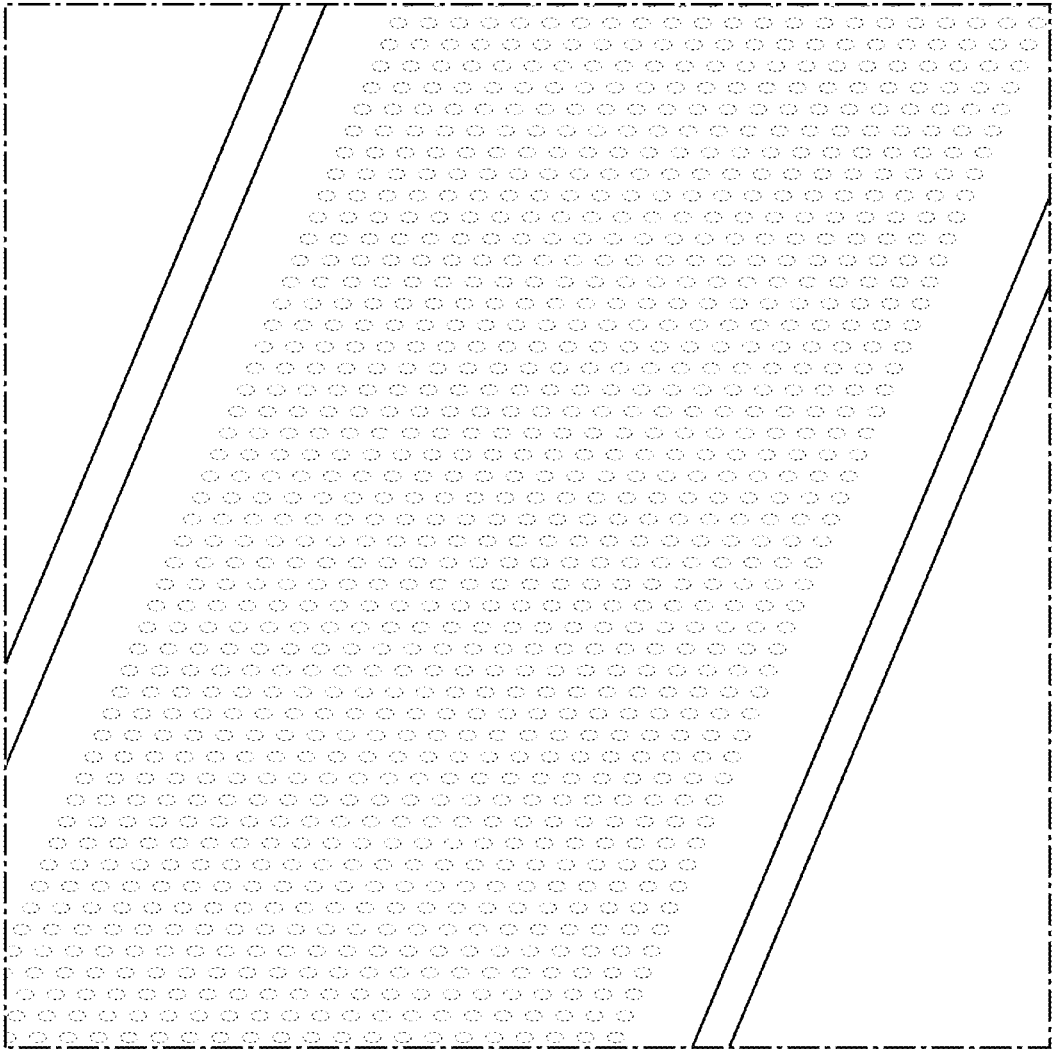


FIG. 8