

(19) World Intellectual Property
Organization
International Bureau



(43) International Publication Date
30 May 2002 (30.05.2002)

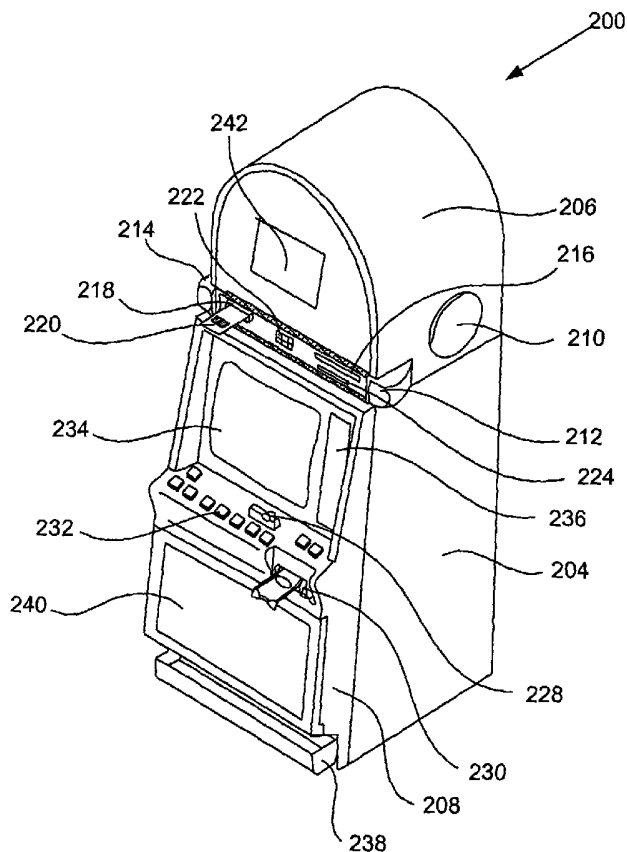
PCT

(10) International Publication Number
WO 2002/043019 A3

- (51) International Patent Classification⁷: **G07F 17/32**, 7/00
 - (21) International Application Number: PCT/US2001/023724
 - (22) International Filing Date: 26 July 2001 (26.07.2001)
 - (25) Filing Language: English
 - (26) Publication Language: English
 - (30) Priority Data: 09/718,974 22 November 2000 (22.11.2000) US
 - (71) Applicant: **IGT** [US/US]; 9295 Prototype Drive, Reno, NV 89511 (US).
 - (72) Inventor: **ROWE, Richard, E.**; 4685 Spring Drive, Reno, NV 89502 (US).
 - (74) Agent: **WEAVER, Jeffrey, K.**; Beyer Weaver & Thomas, LLP, P.O. Box 778, Berkeley, CA 94704-0778 (US).
 - (81) Designated States (*national*): AE, AG, AL, AM, AT, AU, AZ, BA, BB, BG, BR, BY, BZ, CA, CH, CN, CR, CU, CZ, DE, DK, DM, DZ, EE, ES, FI, GB, GD, GE, GH, GM, HR, HU, ID, IL, IN, IS, JP, KE, KG, KP, KR, KZ, LC, LK, LR, LS, LT, LU, LV, MA, MD, MG, MK, MN, MW, MX, MZ, NO, NZ, PL, PT, RO, RU, SD, SE, SG, SI, SK, SL, TJ, TM, TR, TT, TZ, UA, UG, UZ, VN, YU, ZA, ZW.
 - (84) Designated States (*regional*): ARIPO patent (GH, GM, KE, LS, MW, MZ, SD, SL, SZ, TZ, UG, ZW), Eurasian patent (AM, AZ, BY, KG, KZ, MD, RU, TJ, TM), European patent (AT, BE, CH, CY, DE, DK, ES, FI, FR, GB, GR, IE, IT, LU, MC, NL, PT, SE, TR), OAPI patent (BF, BJ, CF, CG, CI, CM, GA, GN, GQ, GW, ML, MR, NE, SN, TD, TG).
- Published:**
— with international search report

[Continued on next page]

(54) Title: CARD-OPERATED GAMING SYSTEM



(57) Abstract: A disclosed smart card includes a processor and memory configured to execute a number of gaming applications, such as a bonus game application, a progressive game application, a voucher application and a payable application, and communicate with a master gaming controller on the gaming machine. Gaming instructions, generated during the execution of one or more of the gaming application on the smart card, may be used to affect game play on the gaming machine. The gaming instructions for various gaming services may be supplied to gaming machines operating in a "stand alone" mode or gaming machine connected to some type of dedicated network. In addition, the smart card may store game components including audio game components and video game components that may be downloaded into a gaming machine and incorporated into a game presentation on the gaming machine. The smart card may be utilized at many different venues including casinos, hotels, bars, restaurants and retail stores.

WO 2002/043019 A3



(88) Date of publication of the international search report:

26 February 2004

For two-letter codes and other abbreviations, refer to the "Guidance Notes on Codes and Abbreviations" appearing at the beginning of each regular issue of the PCT Gazette.

INTERNATIONAL SEARCH REPORT

| | |
|-----------------|----------------|
| Internationa | Application No |
| PCT/US 01/23724 | |

A. CLASSIFICATION OF SUBJECT MATTER
 IPC 7 G07F17/32 G07F7/00

According to International Patent Classification (IPC) or to both national classification and IPC

B. FIELDS SEARCHED

Minimum documentation searched (classification system followed by classification symbols)
 IPC 7 G07F

Documentation searched other than minimum documentation to the extent that such documents are included in the fields searched

Electronic data base consulted during the international search (name of data base and, where practical, search terms used)

EPO-Internal

C. DOCUMENTS CONSIDERED TO BE RELEVANT

| Category ° | Citation of document, with indication, where appropriate, of the relevant passages | Relevant to claim No. |
|------------|--|---------------------------------|
| X | WO 97 19537 A (WALKER ASSET MANAGEMENT L P) 29 May 1997 (1997-05-29) abstract page 7, line 30 -page 8, line 8 page 11, line 1 - line 31; figures 4A-4H --- | 1-44 |
| A | US 5 061 845 A (PINNAVAIA GIUSEPPE). 29 October 1991 (1991-10-29) column 3, line 31 - line 36; figures 2,4-6 --- | 1-44 |
| A | EP 0 360 613 A (BALLY MFG CORP) 28 March 1990 (1990-03-28) abstract; claim 1 ----- | 1, 11, 22, 32, 41, 43, 44 |

Further documents are listed in the continuation of box C.

Patent family members are listed in annex.

° Special categories of cited documents :

- *A* document defining the general state of the art which is not considered to be of particular relevance
- *E* earlier document but published on or after the international filing date
- *L* document which may throw doubts on priority claim(s) or which is cited to establish the publication date of another citation or other special reason (as specified)
- *O* document referring to an oral disclosure, use, exhibition or other means
- *P* document published prior to the international filing date but later than the priority date claimed

- *T* later document published after the international filing date or priority date and not in conflict with the application but cited to understand the principle or theory underlying the invention
- *X* document of particular relevance; the claimed invention cannot be considered novel or cannot be considered to involve an inventive step when the document is taken alone
- *Y* document of particular relevance; the claimed invention cannot be considered to involve an inventive step when the document is combined with one or more other such documents, such combination being obvious to a person skilled in the art.
- * & * document member of the same patent family

Date of the actual completion of the international search

1 April 2003

Date of mailing of the international search report

09/04/2003

Name and mailing address of the ISA

European Patent Office, P.B. 5818 Patentlaan 2
 NL - 2280 HV Rijswijk
 Tel. (+31-70) 340-2040, Tx. 31 651 epo nl,
 Fax: (+31-70) 340-3016

Authorized officer

Reule, D

INTERNATIONAL SEARCH REPORT

Information on patent family members

| | |
|---------|-----------------|
| Intern: | Application No |
| | PCT/US 01/23724 |

| Patent document cited in search report | A | Publication date | Patent family member(s) | Publication date |
|--|---|------------------|-------------------------|------------------|
| WO 9719537 | A | 29-05-1997 | US 5768382 A | 16-06-1998 |
| | | | US 5970143 A | 19-10-1999 |
| | | | AU 1081997 A | 11-06-1997 |
| | | | EP 0862824 A1 | 09-09-1998 |
| | | | JP 2001526550 T | 18-12-2001 |
| | | | WO 9719537 A1 | 29-05-1997 |
| | | | US 2002010013 A1 | 24-01-2002 |
| | | | | |
| US 5061845 | A | 29-10-1991 | NONE | |
| | | | | |
| EP 0360613 | A | 28-03-1990 | US 5179517 A | 12-01-1993 |
| | | | AT 116754 T | 15-01-1995 |
| | | | AU 613484 B2 | 01-08-1991 |
| | | | AU 3450489 A | 29-03-1990 |
| | | | DE 68920391 D1 | 16-02-1995 |
| | | | DE 68920391 T2 | 27-07-1995 |
| | | | EP 0360613 A2 | 28-03-1990 |
| | | | | |