

(19) World Intellectual Property
Organization
International Bureau



(43) International Publication Date
17 March 2005 (17.03.2005)

PCT

(10) International Publication Number
WO 2005/025159 A1

(51) International Patent Classification⁷: **H04L 12/58**,
H04Q 7/22

(21) International Application Number:
PCT/IB2004/002384

(22) International Filing Date: 26 July 2004 (26.07.2004)

(25) Filing Language: English

(26) Publication Language: English

(30) Priority Data:
10/656,886 4 September 2003 (04.09.2003) US

(71) Applicant (for all designated States except US): **NOKIA CORPORATION** [FI/FI]; Keilalahdentie 4, FIN-02150 Espoo (FI).

(72) Inventor; and

(75) Inventor/Applicant (for US only): **LAAKKONEN, Kimmo** [FI/FI]; Suksikatu 3 as 4, FIN-24280 Salo (FI).

(74) Agent: **KURIG, Thomas**; Becker, Kurig, Straus, Bavari-
astrasse 7, 80336 München (DE).

(81) Designated States (unless otherwise indicated, for every kind of national protection available): AE, AG, AL, AM, AT, AU, AZ, BA, BB, BG, BR, BW, BY, BZ, CA, CH, CN, CO, CR, CU, CZ, DE, DK, DM, DZ, EC, EE, EG, ES, FI, GB, GD, GE, GH, GM, HR, HU, ID, IL, IN, IS, JP, KE, KG, KP, KR, KZ, LC, LK, LR, LS, LT, LU, LV, MA, MD, MG, MK, MN, MW, MX, MZ, NA, NI, NO, NZ, OM, PG, PH, PL, PT, RO, RU, SC, SD, SE, SG, SK, SL, SY, TJ, TM, TN, TR, TT, TZ, UA, UG, US, UZ, VC, VN, YU, ZA, ZM, ZW.

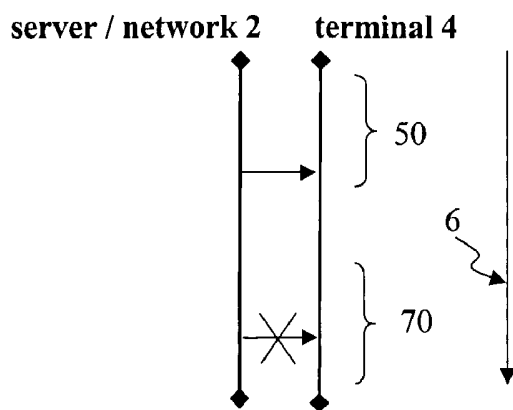
(84) Designated States (unless otherwise indicated, for every kind of regional protection available): ARIPO (BW, GH, GM, KE, LS, MW, MZ, NA, SD, SL, SZ, TZ, UG, ZM, ZW), Eurasian (AM, AZ, BY, KG, KZ, MD, RU, TJ, TM), European (AT, BE, BG, CH, CY, CZ, DE, DK, EE, ES, FI, FR, GB, GR, HU, IE, IT, LU, MC, NL, PL, PT, RO, SE, SI, SK, TR), OAPI (BF, BJ, CF, CG, CI, CM, GA, GN, GQ, GW, ML, MR, NE, SN, TD, TG).

Published:

- with international search report
- with amended claims

For two-letter codes and other abbreviations, refer to the "Guidance Notes on Codes and Abbreviations" appearing at the beginning of each regular issue of the PCT Gazette.

(54) Title: METHOD AND DEVICE FOR HANDLING PUSH TYPE E-MAILS FOR A MOBILE TERMINAL DEVICE ACCORDING TO A USER PROFILE



(57) Abstract: There is disclosed a method for controlling the handling of push type e-mails on a mobile terminal device, said mobile terminal device comprising at least one user profile regarding the handling of push type e-mails, wherein said method comprises: determining the status of said user profile, and controlling the handling of push type e-mails according to said determined user profile status. Further, there is provided a mobile terminal device capable of receiving push type e-mails and controlling the handling of push type e-mail, which comprises: a processing unit, an network interface capable of receiving push type e-mails via a network, wherein said network interface is connected to and controlled by said processing unit, wherein said terminal device is characterized by a storage connected to said processing unit for storing at least one user profile regarding the handling of push type e-mails, a component to determine the status of said user profile regarding the handling of push type e-mails, and in that said processing unit is configured to control the handling of push type e-mails according to said de-

WO 2005/025159 A1

termined status.

5 **Method and device for handling push type e-mails for
 a mobile terminal device according to a user profile**

Field of the Invention

10 The present invention relates to mobile terminal devices having a push type e-mail reception feature. It also relates to dual use terminals i.e. terminals that can be used in a work environment as well as in a private environment. More specifically the present invention relates to a method to provide more readily a clear separation between private and job life, in a highly integrated mobile communication device, wherein push type email delivery is controlled to meet specific demands
15 of users of mobile terminal devices who might be interested in receiving such push type emails only during working hours or other predetermined periods of time.

Background of the Invention

20 Although push type e-mails have already been generally implemented, such an implementation does not encompass any simple activation/deactivation thereof. During the next couple of years, however, push type e-mail has to be improved. Most office workers are receiving tens of e-mails every day. Depending on the company policy, end-users may use enterprise paid mobile devices in free time as well.

25 Usually most of the users do not want to receive work-related e-mails in free time and vice versa. Thus, an easy e-mail reception activation and deactivation is desirable to help employees to control better boundaries between work and free time.

30 It is further desirable to provide an easy, simple and intuitive implementation of the activation and de-activation of the reception of push type e-mail.

It is further desirable to have a method to provide a simple and easy implementation of said e-mail reception feature.

35

Summary of the Invention

According to a first aspect of the present invention, there is a method provided for controlling the

handling of push type e-mails on a mobile terminal device. The mobile terminal device comprises at least one user profile regarding the handling of push type e-mails. The user profile is a concept wherein a number of operation parameters can be changed simultaneously by single user input. The method comprises determining the status of said user profile, and controlling the
5 handling of push type e-mails according to said determined user profile status.

By determining the status of said user profile regarding the handling of push type e-mails, an actually activated user profile or the status of push type e-mail parameters can be determined. This status determination can be performed automatically e.g. in intervals. This status
10 determination can be performed only when the status is changed e.g. by received user input.

By controlling the handling of push type e-mails according to said determined user profile status, the receipt of push type e-mails can be prevented, received push type e-mails can be filtered out or stored in a hidden manner, with or without notifying the user. In this embodiment, the terminal
15 device itself can e.g. stop or re-activate the receipt of push type e-mails if a respective user profile is detected or selected by a user. This may be regarded as a terminal based solution of user profile based push e-mail control.

In another example embodiment of the present invention, said controlling of the handling of push
20 type e-mails comprises sending a notification about the handling of push type e-mails to a push type e-mail server of a mobile communication network, wherein said notification is performed according to said determined user profile.

By sending a notification to a server, the device itself can transfer the task to handle push type e-
25 mails to the server. This may be regarded as a terminal side procedure for a network based implementation. Instead of discarding e-mails by itself, the terminal induces a network server such as e.g. a GMSC (gateway mobile switching center) to handle push type e-mails before being forwarded to said terminal device according to the status of a user profile. It is advantageous to minimize the overall number of necessary data transfers, so in the case of less e-mails than
30 profile changes the terminal based procedure can be preferred. In case of a number of e-mails that is larger than the number of profile changes, the server based solution may be advantageous.

It is possible to transfer all operation parameters i.e. the whole user profile. It may be sufficient to transfer only the push type e-mail relevant data of the user profile status. It is possible to send an
35 "e-mail storage overflow" message to stop the server to send further push type e-mails. The message to the server or another mobile communication network device upon activation of a user profile can be performed by pre-generated messages. The message is selected after a certain user

profile has been activated and is then sent to induce the GMSC (gateway mobile switching center) or the Home Location Register (HLR) of the mobile communication network to handle e-mails accordingly.

- 5 The filter can be implemented as a time based filter characteristic or a sender based filter characteristic selection. The filter may only allow e-mails from certain senders to pass. The filter may only allow e-mails from certain senders not to pass the filter, but only in a defined time interval.
- 10 In yet another example embodiment of the present invention, said user profile status comprises 'push type e-mail enabled' or 'push type e-mail disabled'. This may be embodied by activation or deactivation of the hardware or software component required to receive push type e-mails (in the terminal or at a server).
- 15 In another example embodiment of the present invention, said user profile comprises a predetermined filter performing on the received push type e-mails. The filter selects push type e-mails according to the properties of said e-mails. The method further comprises receiving at least one push type e-mail, and filtering said at least one received e-mail according to said properties.
- 20 The filter can be a user selectable filter. It is possible to enable the user to adapt the filter characteristics upon each receipt of a push type e-mail. The filter characteristics can be defined in said user profile. The user profile may comprise a reference to a filter library.
- 25 By determining the properties of said received e-mail, unwanted e-mails can be sorted out and discarded. If the filter finds properties that match with the operation parameters of said selected user profile, said e-mail can be passed and made available to said user. The filter determines if the push type e-mail is to be forwarded to the user or not. The push type e-mail may be forwarded immediately to the user or with a time-controlled or an event-controlled delay.
- 30 It is also possible to store a received push type e-mail in a 'hidden' manner within said terminal, until a user profile is selected, in which said push type e-mail would have passed said filter. This hidden storing in a temporary way of push e-mails requires that there is at least one user profile/file which said push type e-mail could pass (usually the always present „default user profile“). The hidden temporary storing of push e-mails requires the presence of sufficient
- 35 memory within said mobile terminal device.

The hidden push e-mails can be made available to the user, if he selects the respective user profile. For example, when coming to the bureau, the user selects work profile, and the device reports the receipt of e.g. 25 push type e-mails.

- 5 In another example embodiment of the present invention, said method further comprises storing said received push type e-mail. This includes the possibility to retrieve said stored e-mail, e.g. upon a detected change of said user profile status.

10 In yet another example embodiment of the present invention, said terminal device further comprises sensors, and said method further comprises determining of sensor data, and changing said user profile according to said determined sensor data. The sensor can be a pressure sensor such as keyboard or a power button. Thus a user can deactivate/active push type e-mail receiving from profiles menu using power button, navigation key or by some other means.

- 15 The sensor may also comprise a temperature sensor for automatically changing the user profile to private in case a sensed temperature exceeds a threshold for giving the rest of the day off [school/work] because of excessively hot weather.

20 In case that a position sensor is used, the user profile can be changed according to a signal from a network cell or a GPS (Global Positioning System), to perform an automated position dependent user profile selection. If a user leaves his workplace and returns home, the terminal detects this position change and adapts its user profile and the handling of push type e-mails automatically. The sensor can determine any kinds of environmental data, being correlated to certain user profiles.

25 According to another aspect of the present invention a method for controlling the handling of push type e-mails destined for mobile terminal devices on a push type e-mail server is provided. Said server stores at least one user profile related to a mobile terminal device, wherein said user profile regards the handling of push type e-mails that are destined for said related mobile terminal device. The method comprises: receiving at the push type e-mail server a notification from said terminal device related to the handling of push type e-mails destined for said terminal device via a mobile communication network. The method further comprises handling said push type e-mails for said terminal device in accordance with said received notification.

- 35 Said server can be an e-mail server of a mobile communication network, or e.g. the Internet. This aspect represents the server-side procedure for the network-based implementation of the present method as indicated within the preceding specification. The received notification can cause the

server to enable or to disable the forwarding of received push type e-mail to said terminal device. Additionally, the notification can include the application of an e-mail filter acting on the received push type e-mails. The filter selects push type e-mails according to properties of said received e-mails, for forwarding them or not to the terminal device. The server can store received push type e-mail. The filter implementations / characteristics disclosed in the preceding specification can also be applied to the server-based implementation.

According to yet another aspect of the invention, a software tool is provided comprising program code means for carrying out the method of the preceding description when said program product is run on a computer or a network device.

According to another aspect of the present invention, a computer program product downloadable from a server for carrying out the method of the preceding description is provided, which comprises program code means for performing all of the steps of the preceding methods when said program is run on a computer or a network device.

According to yet another aspect of the invention, a computer program product is provided comprising program code means stored on a computer readable medium for carrying out the methods of the preceding description, when said program product is run on a computer or a network device.

According to another aspect of the present invention a computer data signal is provided. The computer data signal is embodied in a carrier wave and represents a program that makes the computer perform the steps of any method contained in the preceding description, when said computer program is run on a computer, or a network device.

According to yet another aspect of the present invention, a mobile terminal device capable of receiving push type e-mails and controlling the handling of push-type emails is provided. The terminal device comprises a processing unit, a network module, a storage and a determination component.

The processing unit is connected to the other components of the mobile terminal device. The processing unit is connected to said network interface and controls said network interface. The network interface is capable of receiving push type e-mails via a network. Said terminal device comprises a storage that is connected to said processing unit. The storage is for storing at least one user profile regarding the handling of push type e-mails. The determination component is provided to determine the status of said user profile regarding the handling of push type e-mails.

The processing unit is configured to control the handling of push type e-mails according to said user profile status determined by said determination component.

5 The components of the mobile terminal device are provided to enable activation and control of the push-type e-mail service integrally with a user selection or a determination of a user profile. The determination component may be implemented within said processor unit.

10 In another example embodiment of the present invention said processing unit is configured to control the handling of push type e-mails according to said determined user profile status by enabling or disabling said network interface for the reception of push type e-mails.

15 In yet another example embodiment, said network terminal device further comprises a push-type e-mail filter. The push-type e-mail filter is connected to said network interface. Said push type e-mail filter is configured to filter received push type e-mails according to properties of received push type e-mails. The filter characteristic defines which e-mails can pass the filter, wherein the filter characteristics are defined by the user profile. The push-type e-mail filter can be connected to said network interface via said processing unit.

20 In yet another example embodiment of the present invention said processing unit is configured to dispatch a message comprising the status of said user profile regarding the handling of push type e-mails. Said notification is sent via said network interface to a push-type e-mail server connected to a mobile communication network.

25 This foregoing represents an embodiment of a mobile terminal configured to perform the terminal side of the 'network based procedure' for intercepting said push type e-mails before being sent to said terminal. The notification of the server may only be performed, if a change of the user profile is detected that includes a change of the handling of push type e-mails. In case of a change of the user profile status, that does not effect the handling of push e-mails, the notification can be suppressed.

30

In yet another example embodiment of the present invention said mobile terminal device further comprises at least one sensor connected to the processing unit. The processing unit is configured to receive a sensor output from said at least one sensor, and is further configured to change said user profile depending on said output.

35

In one embodiment said sensor is a position sensor, to change the user profile according to e.g. a position signal from a network cell or a GPS (Global Positioning System). Such a device can

perform an automated position dependent user profile change. If a user enters his car and he moves at a considerable speed along an area defined as street, the device can automatically change the user profile, to suppress text type e-mails in order not to bother the user while he is walking. The sensor may also determine any kinds of environmental data, detect a correlation to certain user profiles, and automatically adapt said user profile and hence the handling of push type e-mail to said environmental data.

A keyboard or a navigation key can be regarded as a sensor within the scope of the present invention. This includes the other user interfaces such as touch screen display and the like. The sensor may be implemented in said mobile terminal device as a user profile selector connected to said processing unit and storing selectable user profiles. A user profile selector can be implemented as part of a user interface.

According to another aspect of the present invention, a push-type e-mail server is provided. Said push-type e-mail server is capable of receiving and sending push type e-mails. Said push-type e-mail server comprises a processing unit, a network interface and a storage.

Said processing unit is connected to said network interface and said storage. The network interface is capable of receiving and sending push type e-mails via a network. Said network interface is connected to and controlled by said processing unit. Said network interface is further capable of receiving notifications related to the status of a user profile of at least one mobile terminal device regarding the handling of push type e-mails. Said storage is provided to store said received status of said user profile of said at least one mobile terminal device regarding the handling of push type e-mails. Said processing unit is configured to handle received push type e-mails destined for said at least one mobile terminal according to said received user profile status.

The server is configured to receive a notification indicative of how to proceed with push type e-mails destined for said mobile terminal. This information has been sent to the server upon a determination of a user profile status. The server handles the push type e-mails destined for said terminal device according to the information in said notification, and stores, forwards, deletes, rejects, or re-routes received e-mail. The server may be connected to more than a single communication network, e.g. to a cellular telephone network and e.g. to the Internet.

It is possible to send a notification for the deactivation of the push e-mail feature upon the receipt of a push-type e-mail by the terminal device. The re-activation of a push-type e-mail service may be sent whenever a respective change in the user profile occurs. The server performs the server

side procedure of the network-based embodiment of the present invention.

In another example embodiment of the present invention said push type e-mail server is embodied as an external mailbox capable of receiving push type e-mails. The e-mail server is a mailbox that automatically pushes the received mail to the terminal of the user. In this case there is no need for polling. When e.g. GPRS (gateway mobile switching center) is in use, the mailbox can automatically push the mails to the terminal of the user.

According to another aspect of the present invention, a push-type e-mail handling system is provided. Said push-type e-mail handling system comprises a server as disclosed in the preceding description, and a mobile terminal as described in the preceding specification capable of receiving push type e-mails.

In the following, the invention will be described in detail by referring to the enclosed drawings in which:

Brief Description of the Drawings

Figure 1 shows a flowchart of an example of push-type e-mail handling according to one embodiment of the present invention.

Figure 2 depicts a flowchart of an example of a push type e-mail handling control method according to another embodiment of the present invention,

Figure 3 is a flowchart depicting another example of a user profile controlled push type e-mail handling control method according to another example embodiment of the present invention,

Figure 4 shows schematically an embodiment of a push type e-mail delivery server according to one embodiment of the present invention, and

Figure 5 shows schematically an embodiment of mobile terminal device according to an embodiment of the present invention.

Detailed Description of the Invention

Figure 1 shows a flowchart of an example of push-type e-mail handling according to one embodiment of the present invention. The flowchart comprises a server or network side 2 and a

terminal side 4 of a network system. The arrow 6 indicates a time axis. The terminal can be operated with two different user profiles e.g. 'work' and 'home'. If the terminal 4 is in the 'work' profile indicated by the bracket 50, the terminal 4 is configured to receive push type e-mails from a server/network 2. If the terminal 4 is in the 'home' profile indicated by the bracket 70, the terminal 4 is configured to reject push type e-mails from the server/network 2. The server can be e.g. an external mailbox of the user. This mailbox automatically pushes the received e-mail to user terminal 4. Thus, there is no need for polling. When a GPRS or other push type service is used, the mailbox can automatically push the mails to the terminal. This service is stopped by the invention, when this embodiment of the present invention is used. The user device can e.g. simply ignore that a push type e-mail is sent, or can e.g. delete a received push type e-mail if and when it is received.

It is further preferably that the push e-mail activation/de-activation process can be combined to any user profile. In each profile there is provided a possibility to choose whether the feature is active or not. This could be an alternative solution to the one mentioned above, i.e. having separate work and home profiles.

This situation is different to the case in which a normal circuit switched connection is used to access e-mails, since in this case a user has to always initiate the connection in order to check mails from an external mailbox. In the case of conventional e-mails the present invention does not need to be applied, as the user, simply does not need to check his e-mails if he is at home.

Figure 2 shows a flowchart of another example of push-type e-mail handling according to one embodiment of the present invention. The flowchart comprises a server or network side 2 and a terminal side 4 of a network system. The arrow 6 represents a time axis of the flowchart.

The network side 2 comprises in the present example a server 40, for example a gateway mobile switching center (GMSC), that receives a push-type e-mail. It is expected that the push e-mail is received via a communication network such as a cellular telephone network or e.g. the Internet. The server 40 forwards the push type e-mail using information from the Home Location Register (HLR) 42 to the Mobile Switching Center (MSC) 44. From the MSC 44, the push type e-mail is transferred via a BSC (Base Station Controller) and a BTS (Base Transceiver Station) to the mobile terminal 4. To not obscure figure 2, the BSC and the BTS are depicted as a common block 45. From the BTS to the mobile terminal 4, the traffic is wireless. The air interface may be provided e.g. via push type e-mail enabled service such as General Packet Radio Service (GPRS) or the like.

The mobile terminal 4 receives the push type e-mail via a radio interface 46 and makes it available to the user via a user interface 48. The first bracket with the reference sign 50 refers to a conventional delivery of push type e-mail to a user device.

- 5 The second bracket 60 refers to a user-input changing the user profile of said terminal device 4. The changed user profile induces the terminal device to disable the reception or the notification of a user about push type e-mails received.

10 The bracket 70 represents the same procedure of delivering push type e-mail to a user device 4 as in the bracket 50. The difference resides in that the user is not longer notified about the reception of said push type e-mail. The user is not notified via the user interface, as the e-mail may not be received. The user is not notified via the user interface, as the e-mail is received but not stored. The user is not notified via the user interface, as the e-mail is received and stored but the receipt of the push type e-mail is not indicated via the user interface 48 to the user.

15

The lacking of information to the user is indicated by the crossed through arrow between the terminal device 4 and the user interface 48.

- 20 The bracket 62 refers to user input for changing the user profile of said terminal device 4. The changed user profile induces the terminal device to re-enable the reception or the notification of a user about received push type e-mail.

After the e-mail receipt is enabled again, e-mails may again be received according to the procedure indicated by bracket 50.

25

After the e-mail receipt is enabled again, and in case the terminal device has stored a received e-mail without notifying the user, this hidden e-mail may be made available to the user again (indicated by the arrow in bracket 72).

- 30 The flowchart of figure 2 requires no interaction except the transfer of mails via air interface between the network and the terminal. This procedure can be carried out by terminal device only by implementation.

35 Figure 3 is a flowchart of another example of user profile controlled push type e-mail handling according to another example embodiment of the present invention.

Similarly to figure 2, a server 40 forwards the push type e-mail using information from the Home

Location Register (HLR) 42 to the Mobile Switching Center (MSC) 44. From the MSC 44, the push type e-mail is transferred via BSC (Base Station Controller) and BTS (Base Transceiver Station) to the mobile terminal 4. To not obscure figure 3, the BSC and the BTS are depicted as a common block 45. From the BTS to the mobile terminal 4, the traffic is wireless. The mobile terminal 4 receives the push type e-mail via a radio interface 46 and makes it available to the user via a user interface 48. The first bracket with the reference sign 50 refers to a conventional delivery of push type e-mail to a user device.

Similarly to figure 2, the second bracket 60 refers to a user input changing the user profile of said terminal device 4, wherein in contrast to figure 2 the changed user profile induces the terminal device to send a message to the server 40 e.g. a GMSC via the network 42, 44 and 45. This message is sent to induce the server 40 to intercept all push type e-mails destined for said mobile terminal device 4. So the bracket comprises more steps and, in the following, the server 40 stops forwarding push type e-mails (indicated by the crossed out arrows in bracket 70).

In contrast to the procedure of figure 2, a user input (bracket 62) to change the user profile induces the terminal device to send a message to the server 40 via the network 42, 44 and 45. This message induces the server 40 to re-enable the delivery of push type e-mails destined for said mobile terminal device 4.

After the e-mail receipt is enabled again, and in case the server 40 has stored a received e-mail without notifying the terminal device, the stored e-mails may be forwarded and made available to the user (indicated by the dotted arrows in bracket 72).

Figure 4 shows schematically an embodiment of a push type e-mail delivery server according to one embodiment of the present invention. The depicted embodiment of the server 40 comprises a network interface 14 connecting said server to at least one communication network. The communication network is indicated by two lines, representing a data network as the Internet 10 and a cellular telephone network 12.

The network interface 14 is connected to a processor 16, which is in turn connected to storage 18. It is assumed that the push-type e-mail server 40 is used for performing the network-based implementation of the present invention. It is assumed that the server further comprises additional storage 19 connected to said processor 16 to perform and store e-mails data and the like.

In the server 40, the storage 18 is provided to store address information of a number of mobile

terminals and related push e-mail delivery characteristics. The e-mail delivery characteristics can comprise in the simplest case information such as push type e-mail enabled or push type e-mail disabled. More sophisticated approaches may provide more complex delivery characteristics distinguishing between different filter parameters such as amount of data per e-mail (to prevent data overflow at the terminal). Another filter parameter can be the delivery time frame (user does not want to receive a push type e-mail between 23 and 6 o'clock). Another filter parameter can refer to the sender of the e-mail. The storage 18 can store delivery parameters, which are related to certain terminal devices. The delivery parameter can be selected by a user and are received from a user terminal device.

10

Figure 5 shows schematically an embodiment of mobile terminal device according to an embodiment of the present invention. The mobile terminal 4 comprises a cellular network interface 20, a processing unit 22, storage 24, and a user interface 48.

15

As in the case of figure 4, the terminal device can comprise further components such as memory modules, broadcast radio modules, music player modules. The mobile terminal device 4 can be operated according to the procedures of figures 1 to 3.

20

To perform the procedure according to figure 2, the internal handling of the received push type e-mails between the network interface 20 and the user interface 48 is influenced by said user profile. It may be assumed that the user profile is stored in the storage 24, and that the user profile can be changed by the user via input in said user interface 48. The activated or selected user profile usually is the default user profile. When changing the user profile, the push type e-mail handling parameters stored in said storage 24 are retrieved and provided to said processor unit 22 to handle received push type e-mail according to the detected user profile status referring to push type e-mails. This may be described as changing the "order of the day", and handling e-mails accordingly.

25

30

In another embodiment, said processor 22 can check the user profile status in storage 24, only if a push type e-mail is received. This may be described as waiting for the first e-mail, and retrieving the actual handling instruction on receipt of the first e-mail accordingly.

35

To perform the procedure according to figure 2, the internal handling of the received push type e-mails between the network interface 20 and the user interface 48 is influenced by the status of the user profile stored in storage 24.

To perform the procedure according to figure 3, the external handling of push type e-mails in a

connected network (server) is influenced by the status of the user profile stored in storage 24. In contrast to the embodiment for procedure of figure 2, the storage 24 stores notifications for an external network server. When and if a user changes the actual user profile in storage 24, in a way effecting the handling of push type e-mails, the processor 22 retrieves a notification for a server from storage 24 and dispatches it via the network interface 20 and via said network 12 to said server.

The terminal device performs detecting a change of the user profile and notifying a server about said changed user profile. The change of an internal parameter (user profile) can induce the device to send a message (the notification).

It is also possible to combine the terminal based method and the network based method in a more sophisticated approach, wherein the device determines a disabled state of the push type e-mail, and does not notify the server until a first push type e-mails is received (in the disabled mode). If a user changes between two user profiles with enabled and disabled push type e-mail, but actually receives no e-mails, the server is not notified which saves network resources. Additionally, if a hidden storage of e-mails is desired, the terminal device needs only to store a single e-mail.

The present invention is to solve a problem not really actually surfaced at the time of the present application but it may be expected to occur in near future.

The user can benefit from the invention by its good usability. This invention solves usability problems related to activating and deactivating of push type e-mails. The present invention can be implemented in a basic version as a user interface feature, wherein no standard related server-terminal protocols have to be implemented.

A user is able to deactivate/active e-mail receiving from profiles menu using power button or a navigation / menu key or by some other means. The device can comprise a 'work' profile and a 'home' profile. In the work profile the push type e-mail can be activated. In the home profile the push type e-mail can be deactivated. When user leaves office, he can select home profile for example by using profile button / menu key. Then push type e-mails are not received. Next morning the user can again switch on push type e-mail receiving with profile concept.

During next couple of years, an improved push type e-mail system will be integrated in all enterprise devices. Most of office workers are receiving 10's of e-mails every day. Depending on company policy end-users can use enterprise paid mobile devices in free time as well. Normally

most of the users do not want to receive work related e-mails in free time. Therefore, an easy e-mail receiving activation/de-activation and filtering would help employees to better control boundaries between work and free time.

- 5 The present invention solves usability problems of activating, deactivating and customizing of push type e-mail. Easy activation/deactivation of push type e-mail increases the acceptance of user push type e-mail.

10 This application contains the description of implementations and embodiments of the present invention with the help of examples. It will be appreciated by a person skilled in the art that the present invention is not restricted to details of the embodiments presented above, and that the invention can also be implemented in another form without deviating from the characteristics of the invention. The embodiments presented above should be considered illustrative, but not
15 restricting. Thus, the possibilities of implementing and using the invention are only restricted by the enclosed claims. Consequently, various options of implementing the invention as determined by the claims, including equivalent implementations, also belong to the scope of the invention.

Claims:

1. Method for controlling the handling of push type e-mails on a mobile terminal device, said
5 mobile terminal device comprising at least one user profile regarding the handling of push
type e-mails, said method comprising:
 - determining the status of said user profile, and
 - controlling the handling of push type e-mails according to said determined user profile
10 status.
2. Method according to claim 1, wherein said controlling of the handling of push type e-mails
comprises notifying a push type e-mail server of a mobile communication network about the
handling of push type e-mails according to said determined user profile.
- 15 3. Method according to claim 1, wherein said determined user profile status comprises push
type e-mail enabled or push type e-mail disabled.
4. Method according to claim 1, wherein said user profile comprises a predetermined filter
acting on the received push type e-mails, said filter selecting push type e-mails according to
20 properties of said received e-mails, wherein said method further comprises:
 - receiving a push type e-mail, and
 - filtering said received e-mail according to said properties.
5. Method according to claim 3, further comprising storing said received push type e-mail.
25
6. Method according to claim 1, wherein said terminal device further comprises sensors, said
method further comprising
 - determining of sensor data, and
 - changing said user profile according to said determined sensor data.
30
7. Method for controlling the handling of push type e-mails destined for mobile terminal
devices on a push type e-mail server, wherein said server stores at least one user profile
related to a mobile terminal device, said user profile regarding the handling of push type
e-mails destined for said related mobile terminal device, said method comprising:
35
 - receiving at the push type e-mail server a notification from said terminal device related to
the handling of push type e-mails destined for said terminal device via a mobile
communication network, and

- handling push type e-mails destined for said terminal device according to said received notification.
8. Software tool comprising program code means stored on a computer readable medium for carrying out the method of claim 1, when said software tool is run on a computer or network device.
9. Computer program product comprising program code means stored on a computer readable medium for carrying out the method of claim 1, when said program product is run on a computer or network device.
10. Computer program product comprising program code, downloadable from a server for carrying out the method of claim 1, when said program product is run on a computer or network device.
11. Software tool comprising program code means stored on a computer readable medium for carrying out the method of claim 7, when said software tool is run on a computer or network device.
12. Computer program product comprising program code means stored on a computer readable medium for carrying out the method of claim 7, when said program product is run on a computer or network device.
13. Computer program product comprising program code, downloadable from a server for carrying out the method of claim 7, when said program product is run on a computer or network device.
14. Mobile terminal device capable of receiving push type e-mails and controlling the handling of push type e-mail, comprising:
- a processing unit
 - a network interface capable of receiving push type e-mails via a network, wherein said network interface is connected to and controlled by said processing unit, wherein said terminal device is characterized by
 - a storage connected to said processing unit for storing at least one user profile regarding the handling of push type e-mails,
 - a component to determine the status of said user profile regarding the handling of push type e-mails, and in that

- said processing unit is configured to control the handling of push type e-mails according to said determined status.

- 5 15. Mobile terminal device according to claim 14, wherein said processing unit is configured to control the handling of push type e-mails according to said determined user profile status by enabling or disabling said network interface for the reception of push type e-mails.
- 10 16. Mobile terminal device according to claim 14, wherein said network terminal device further comprising a push type e-mail filter connected to said network interface, wherein said filter is configured to filters received push type e-mails according to properties of received push type e-mails, which are defined by said user profile.
- 15 17. Mobile terminal device according to claim 14, wherein said processing unit is configured to dispatch a message comprising the status of said user profile regarding the handling of push type e-mails via said network interface to a push type e-mail server connected to a mobile communication network.
- 20 18. Mobile terminal device according to claim 14, further comprising at least one sensor connected to said processing unit, wherein said processing unit is configured to change said user profile depending on a sensor output received from said at least one sensor.
- 25 19. Push type e-mail server capable of receiving and sending push type e-mails, comprising:
 - a processing unit,
 - a network interface capable of receiving and sending push type e-mails via a network, wherein said network interface connected to and controlled by said processing unit,wherein said server is characterized in that
 - said network interface is further capable of receiving notifications related to the status of said user profile of at least one mobile terminal device regarding the handling of push type e-mails, and
 - 30 - a storage to store a status of said user profile of said at least one mobile terminal device regarding the handling of push type e-mails, wherein said processing unit is configured to handle received push type e-mails destined for said at least one mobile terminal according to said received user profile status.
- 35 20. Push type e-mail server according to claim 19, wherein said e-mail server is an external mailbox capable of receiving push type e-mails.

21. Push type e-mail delivery system comprising at least one mobile terminal device according to anyone of claims 14 to 18 and a push type e-mail server according to claim 19 or 20.

AMENDED CLAIMS

[received by the International Bureau on 01 February 2005 (01.02.2005);
original claims 1-21 replaced by new claims 1-17 (3 pages)]

Amended Claims

1. Method for controlling the handling of push type e-mails on a mobile terminal device, said
5 mobile terminal device comprising at least one user profile regarding the handling of push
type e-mails, said method comprising:
 - determining the status of said user profile, wherein said determined user profile status
comprises push type e-mail enabled or push type e-mail disabled, and
 - controlling the handling of push type e-mails according to said determined user profile
10 status.
2. Method according to claim 1, wherein said controlling of the handling of push type e-mails
comprises notifying a push type e-mail server of a mobile communication network about the
handling of push type e-mails according to said determined user profile.
15
3. Method according to claim 1, wherein said user profile comprises a predetermined filter
acting on the received push type e-mails, said filter selecting push type e-mails according to
properties of said received e-mails, wherein said method further comprises:
 - receiving a push type e-mail, and
 - 20 - filtering said received e-mail according to said properties.
4. Method according to claim 2, further comprising storing said received push type e-mail.
5. Method according to claim 1, wherein said terminal device further comprises sensors, said
25 method further comprising
 - determining of sensor data, and
 - changing said user profile according to said determined sensor data.
6. Method for controlling the handling of push type e-mails destined for mobile terminal
30 devices on a push type e-mail server, wherein said server stores at least one user profile
related to a mobile terminal device, said user profile regarding the handling of push type
e-mails destined for said related mobile terminal device, said method comprising:
 - receiving at the push type e-mail server a notification from said terminal device related to
the handling of push type e-mails destined for said terminal device via a mobile

communication network, wherein said received notification related to the status of said user profile comprises push type e-mail enabled or push type e-mail disabled, and

- handling push type e-mails destined for said terminal device according to said received notification.

5

7. Software tool comprising program code means stored on a computer readable medium for carrying out the method of anyone of the claims 1 to 6, when said software tool is run on a computer or network device.

10 8. Computer program product comprising program code means stored on a computer readable medium for carrying out the method anyone of the claims 1 to 6, when said program product is run on a computer or network device.

15 9. Computer program product comprising program code, downloadable from a server for carrying out the method of anyone of the claims 1 to 6, when said program product is run on a computer or network device.

10. Mobile terminal device capable of receiving push type e-mails and controlling the handling of push type e-mail, comprising:

20

- a processing unit
- a network interface capable of receiving push type e-mails via a network, wherein said network interface is connected to and controlled by said processing unit,

wherein said terminal device is characterized by

25

- a storage connected to said processing unit for storing at least one user profile regarding the handling of push type e-mails,
- a component to determine the status of said user profile regarding the handling of push type e-mails, wherein said determined user profile status comprises push type e-mail enabled or push type e-mail disabled, and in that

30

- said processing unit is configured to control the handling of push type e-mails according to said determined status.

11. Mobile terminal device according to claim 10, wherein said processing unit is configured to control the handling of push type e-mails according to said determined user profile status by enabling or disabling said network interface for the reception of push type e-mails.

35

12. Mobile terminal device according to claim 10, wherein said network terminal device further comprising a push type e-mail filter connected to said network interface, wherein said filter is

configured to filters received push type e-mails according to properties of received push type e-mails, which are defined by said user profile.

- 5 13. Mobile terminal device according to claim 10, wherein said processing unit is configured to dispatch a message comprising the status of said user profile regarding the handling of push type e-mails via said network interface to a push type e-mail server connected to a mobile communication network.
- 10 14. Mobile terminal device according to claim 10, further comprising at least one sensor connected to said processing unit, wherein said processing unit is configured to change said user profile depending on a sensor output received from said at least one sensor.
- 15 15. Push type e-mail server capable of receiving and sending push type e-mails, comprising:
- a processing unit,
 - 15 - a network interface capable of receiving and sending push type e-mails via a network, wherein said network interface connected to and controlled by said processing unit, wherein said server is characterized in that
 - said network interface is further capable of receiving notifications related to the status of said user profile of at least one mobile terminal device regarding the handling of push type e-mails, wherein said received notification related to the status of said user profile
 - 20 - comprises push type e-mail enabled or push type e-mail disabled, and
 - a storage to store a status of said user profile of said at least one mobile terminal device regarding the handling of push type e-mails,
 - 25 wherein said processing unit is configured to handle received push type e-mails destined for said at least one mobile terminal according to said received user profile status.
16. Push type e-mail server according to claim 15, wherein said e-mail server is an external mailbox capable of receiving push type e-mails.
- 30 17. Push type e-mail delivery system comprising at least one mobile terminal device according to anyone of claims 10 to 14 and a push type e-mail server according to claim 15 or claim 16.

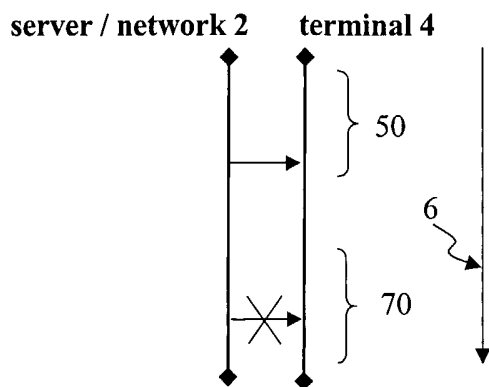


Fig. 1

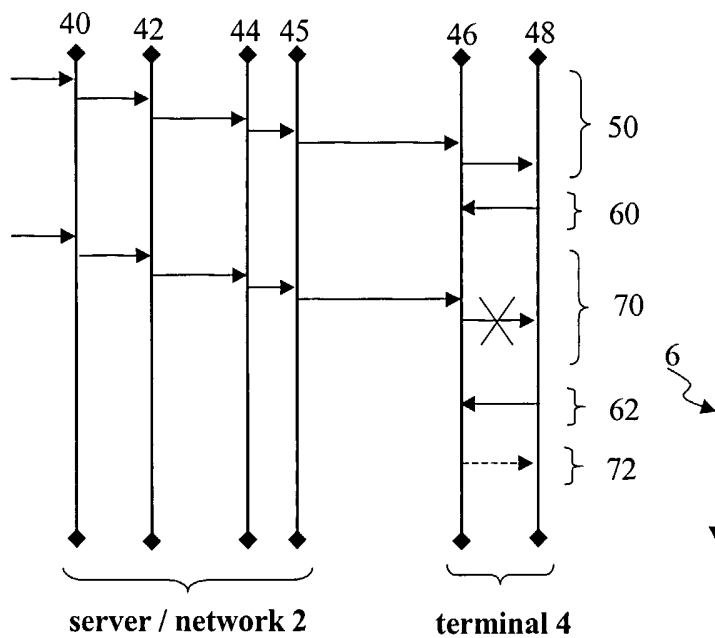


Fig. 2

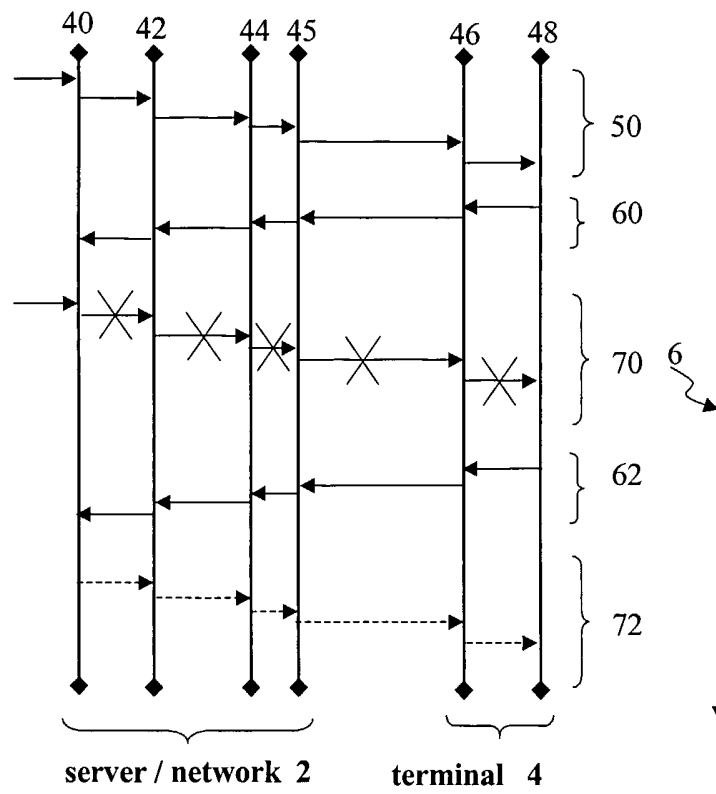


Fig. 3

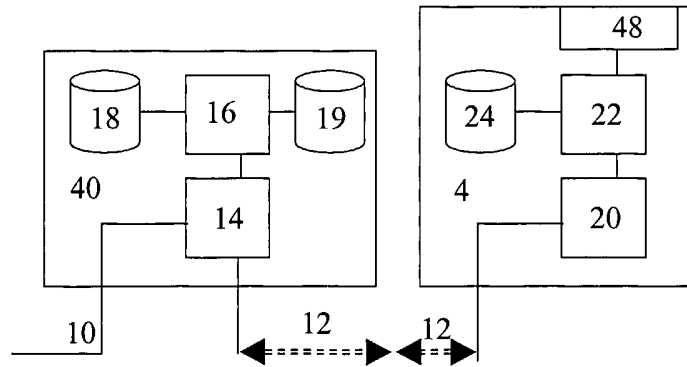


Fig. 4

Fig. 5

INTERNATIONAL SEARCH REPORT

International application No.
PCT/IB 2004/002384

A. CLASSIFICATION OF SUBJECT MATTER IPC7: H04L 12/58, H04Q 7/22 <small>According to International Patent Classification (IPC) or to both national classification and IPC</small>				
B. FIELDS SEARCHED Minimum documentation searched (classification system followed by classification symbols) IPC7: H04L, H04Q, G06F Documentation searched other than minimum documentation to the extent that such documents are included in the fields searched SE,DK,FI,NO classes as above Electronic data base consulted during the international search (name of data base and, where practicable, search terms used) WPI, EPO-INTERNAL, PAJ				
C. DOCUMENTS CONSIDERED TO BE RELEVANT				
Category*	Citation of document, with indication, where appropriate, of the relevant passages	Relevant to claim No.		
Y	US 20020044634 A1 (MICHAEL ROOKE ET AL), 18 April 2002 (18.04.2002), see whole document --	2-18,21		
X	WO 9933293 A1 (GLOBAL MOBILITY SYSTEMS, INC.), 1 July 1999 (01.07.1999), page 2, line 14 - line 20; page 3, line 19 - page 4, line 2; page 9, line 13 - page 10, line 25, page 11, line 19 - page 11, line 25; page 16, line 11 - line 28	1,19,20		
Y	--	2-18,21		
<input checked="" type="checkbox"/> Further documents are listed in the continuation of Box C. <input checked="" type="checkbox"/> See patent family annex.				
<table style="width: 100%; border: none;"> <tr> <td style="width: 50%; border: none;"> * Special categories of cited documents: "A" document defining the general state of the art which is not considered to be of particular relevance "E" earlier application or patent but published on or after the international filing date "L" document which may throw doubts on priority claim(s) or which is cited to establish the publication date of another citation or other special reason (as specified) "O" document referring to an oral disclosure, use, exhibition or other means "P" document published prior to the international filing date but later than the priority date claimed </td> <td style="width: 50%; border: none;"> "T" later document published after the international filing date or priority date and not in conflict with the application but cited to understand the principle or theory underlying the invention "X" document of particular relevance: the claimed invention cannot be considered novel or cannot be considered to involve an inventive step when the document is taken alone "Y" document of particular relevance: the claimed invention cannot be considered to involve an inventive step when the document is combined with one or more other such documents, such combination being obvious to a person skilled in the art "&" document member of the same patent family </td> </tr> </table>			* Special categories of cited documents: "A" document defining the general state of the art which is not considered to be of particular relevance "E" earlier application or patent but published on or after the international filing date "L" document which may throw doubts on priority claim(s) or which is cited to establish the publication date of another citation or other special reason (as specified) "O" document referring to an oral disclosure, use, exhibition or other means "P" document published prior to the international filing date but later than the priority date claimed	"T" later document published after the international filing date or priority date and not in conflict with the application but cited to understand the principle or theory underlying the invention "X" document of particular relevance: the claimed invention cannot be considered novel or cannot be considered to involve an inventive step when the document is taken alone "Y" document of particular relevance: the claimed invention cannot be considered to involve an inventive step when the document is combined with one or more other such documents, such combination being obvious to a person skilled in the art "&" document member of the same patent family
* Special categories of cited documents: "A" document defining the general state of the art which is not considered to be of particular relevance "E" earlier application or patent but published on or after the international filing date "L" document which may throw doubts on priority claim(s) or which is cited to establish the publication date of another citation or other special reason (as specified) "O" document referring to an oral disclosure, use, exhibition or other means "P" document published prior to the international filing date but later than the priority date claimed	"T" later document published after the international filing date or priority date and not in conflict with the application but cited to understand the principle or theory underlying the invention "X" document of particular relevance: the claimed invention cannot be considered novel or cannot be considered to involve an inventive step when the document is taken alone "Y" document of particular relevance: the claimed invention cannot be considered to involve an inventive step when the document is combined with one or more other such documents, such combination being obvious to a person skilled in the art "&" document member of the same patent family			
Date of the actual completion of the international search 6 December 2003	Date of mailing of the international search report 16-12-2004			
Name and mailing address of the ISA/ Swedish Patent Office Box 5055, S-102 42 STOCKHOLM Facsimile No. +46 8 666 02 86	Authorized officer Peter Hedman/MN Telephone No. +46 8 782 25 00			

INTERNATIONAL SEARCH REPORT

International application No.
PCT/IB 2004/002384

C (Continuation). DOCUMENTS CONSIDERED TO BE RELEVANT

Category*	Citation of document, with indication, where appropriate, of the relevant passages	Relevant to claim No.
A	WO 0223309 A2 (WISCOM TECHNOLOGIES, INC.), 21 March 2002 (21.03.2002), page 2, line 14 - line 20; page 3, line 19 - page 4, line 2; page 9, line 13 - page 10, line 25, page 11, line 19 - line 25; page 16, line 11 - line 28 ----- --	1-21

INTERNATIONAL SEARCH REPORT

International application No.
PCT/IB 2004/002384

US	20020044634	A1	18/04/2002	AU	4033099	A	02/11/2000
				EP	1169827	A	09/01/2002
				JP	2002542548	T	10/12/2002
				US	6678361	B	13/01/2004
				WO	0064110	A	26/10/2000

WO	9933293	A1	01/07/1999	AU	1921799	A	12/07/1999
				BR	9814503	A	16/07/2002
				CA	2316386	A	01/07/1999
				EP	1042933	A	11/10/2000
				JP	2002517918	T	18/06/2002

WO	0223309	A2	21/03/2002	AU	9109501	A	26/03/2002
