



(12) **United States Design Patent**
Weinerman et al.

(10) **Patent No.:** **US D880,280 S**
(45) **Date of Patent:** **** Apr. 7, 2020**

- (54) **TIE DOWN**
- (71) Applicant: **The Eastern Company**, Cleveland, OH (US)
- (72) Inventors: **Lee S. Weinerman**, Medina, OH (US); **Fredrick L. Putzier**, Columbia Station, OH (US); **Marinel Rosu**, Strongsville, OH (US)
- (73) Assignee: **THE EASTERN COMPANY**, Cleveland, OH (US)
- (**) Term: **15 Years**

5,774,948 A *	7/1998	Petschke	B60P 7/0807
				24/265 AL
6,030,159 A *	2/2000	Herrick	B60P 1/52
				410/101
6,138,975 A *	10/2000	McDaid	B61D 45/001
				248/499
6,592,310 B2 *	7/2003	Hyp	B60P 7/0807
				296/65.13
6,918,721 B2 *	7/2005	Venton-Walters	B60P 7/0807
				410/102
7,134,819 B2 *	11/2006	Bullock	B60P 7/0807
				410/102
D549,556 S *	8/2007	Christie	D8/354
D565,935 S *	4/2008	Selby	D8/356
7,398,664 B1 *	7/2008	Weinerman	E05B 1/0092
				292/207

(Continued)

- (21) Appl. No.: **29/697,660**
- (22) Filed: **Jul. 10, 2019**

Related U.S. Application Data

- (63) Continuation of application No. 29/642,066, filed on Mar. 27, 2018, now Pat. No. Des. 853,825.
- (51) **LOC (12) Cl.** **08-05**
- (52) **U.S. Cl.**
USPC **D8/354**
- (58) **Field of Classification Search**
USPC D12/223; D8/382, 349, 354, 384, 367
CPC B61D 45/00
See application file for complete search history.

References Cited

U.S. PATENT DOCUMENTS

4,907,921 A *	3/1990	Akright	B61D 45/001
				410/111
D307,107 S *	4/1990	Wensien	D8/306
D314,133 S *	1/1991	Issard	D12/317
5,052,869 A *	10/1991	Hansen, II	B60P 7/0807
				410/101
5,180,263 A *	1/1993	Flowers, Jr.	B60P 7/0807
				410/101

Primary Examiner — Keli L Hill
Assistant Examiner — Harold E Blackwell, II
(74) *Attorney, Agent, or Firm* — Ralph E. Jocke; Walker & Jocke

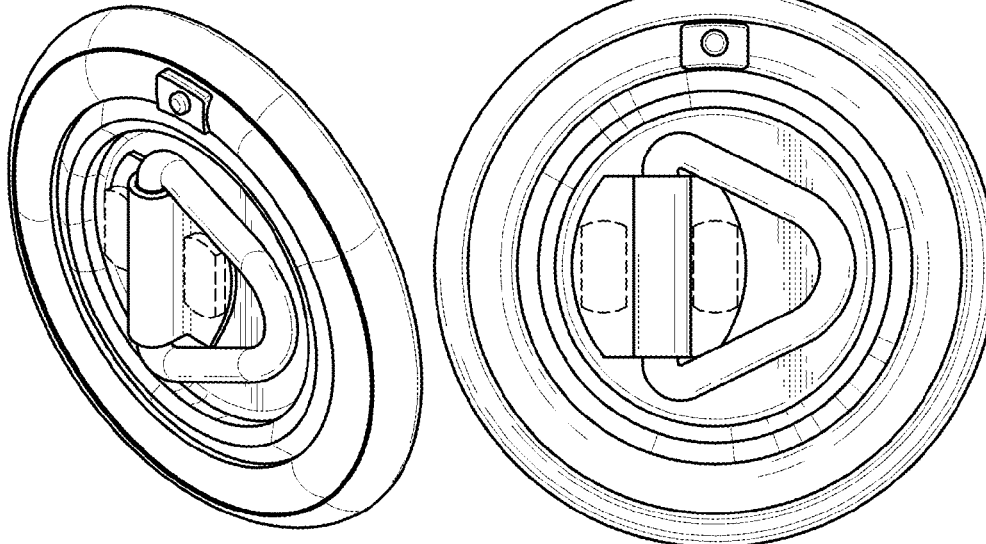
(57) **CLAIM**

An ornamental design for a tie down, as shown and described.

DESCRIPTION

FIG. 1 is a front top right perspective view of a tie down showing our new design.
FIG. 2 is a front top left perspective view thereof.
FIG. 3 is a front bottom left perspective view thereof.
FIG. 4 is a front bottom right perspective view thereof.
FIG. 5 is a front view thereof.
FIG. 6 is a right side view thereof.
FIG. 7 is a left side view thereof.
FIG. 8 is a top side view thereof; and,
FIG. 9 is bottom side view thereof.
The broken lines in the drawings depict portions of the tie down that form no part of the claimed design.

1 Claim, 3 Drawing Sheets



(56)

References Cited

U.S. PATENT DOCUMENTS

7,686,551 B2 * 3/2010 Grasso B60P 7/0807
410/106
D619,954 S * 7/2010 Le D12/223
8,075,232 B2 * 12/2011 Le B61D 45/001
410/106
9,511,705 B1 * 12/2016 Egigian B60P 7/0807
D853,825 S * 7/2019 Weinerman D8/354
D857,479 S * 8/2019 Ocklenburg D8/343

* cited by examiner

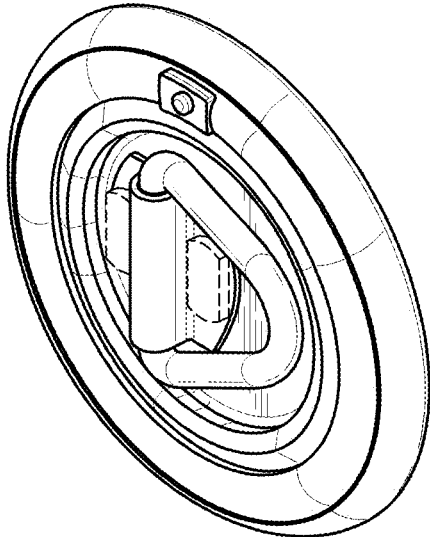


FIG. 1

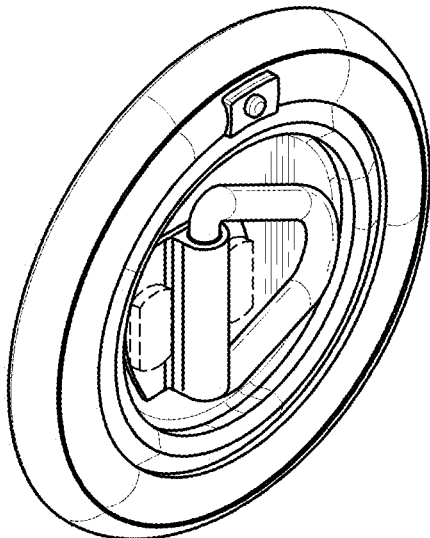


FIG. 2

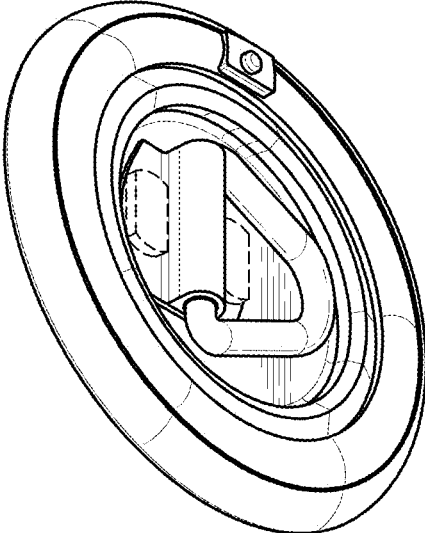


FIG. 3

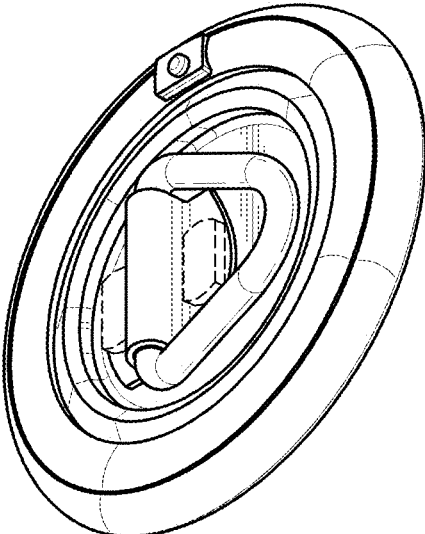


FIG. 4

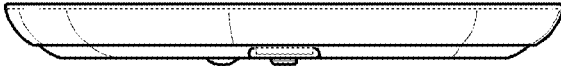


FIG. 8

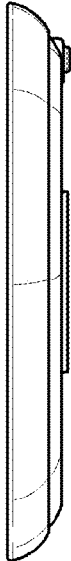


FIG. 7

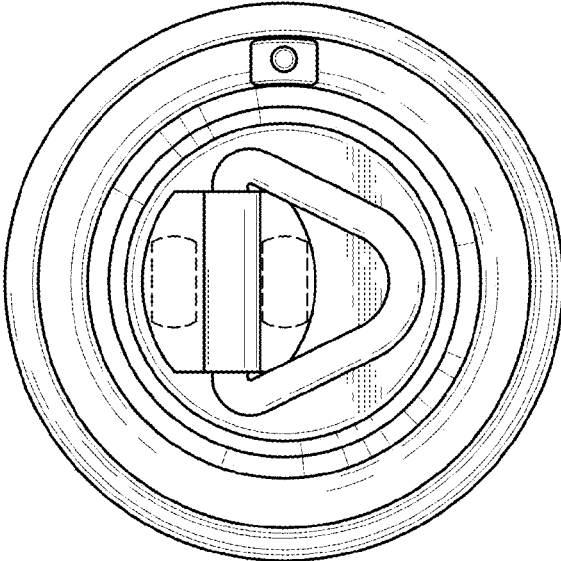


FIG. 5

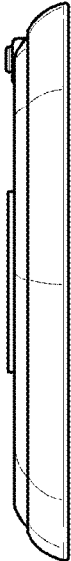


FIG. 6



FIG. 9