



US00D347546S

# United States Patent [19] Pawlowicz

[11] Patent Number: Des. 347,546

[45] Date of Patent: \*\* Jun. 7, 1994

[54] TOASTER HAVING ADJUSTABLE OPENINGS

[76] Inventor: Edward Pawlowicz, 7128 Southwind Dr., Hudson, Fla. 34667

[\*\*] Term: 14 Years

[21] Appl. No.: 873,050

[22] Filed: Apr. 24, 1992

[52] U.S. Cl. .... D7/330; D7/323

[58] Field of Search ..... D7/323, 328-330, D7/390; 99/372, 385, 389

[56] **References Cited**

**U.S. PATENT DOCUMENTS**

D. 218,210	7/1970	Felske	.....	D7/330
D. 296,290	6/1988	Yamanaka	.....	D7/330
D. 328,686	8/1992	Wolfe	.....	D7/330
D. 328,833	8/1992	Myers et al.	.....	D7/328 X
2,764,081	9/1956	Glasser	.....	D7/330 X
2,862,441	12/1958	Schmall	.....	D7/330 X

2,863,377 12/1958 Huck ..... D7/330 X

*Primary Examiner*—Alan P. Douglas  
*Assistant Examiner*—Caron D. Veynar  
*Attorney, Agent, or Firm*—Terry M. Gernstein

[57] **CLAIM**

The ornamental design for a toaster having adjustable openings, as shown and described.

**DESCRIPTION**

FIG. 1 is a perspective view of the toaster having adjustable openings embodying the design of the present invention;

FIG. 2 is a front elevational view thereof, the rear being a mirror image of the front shown in FIG. 2;

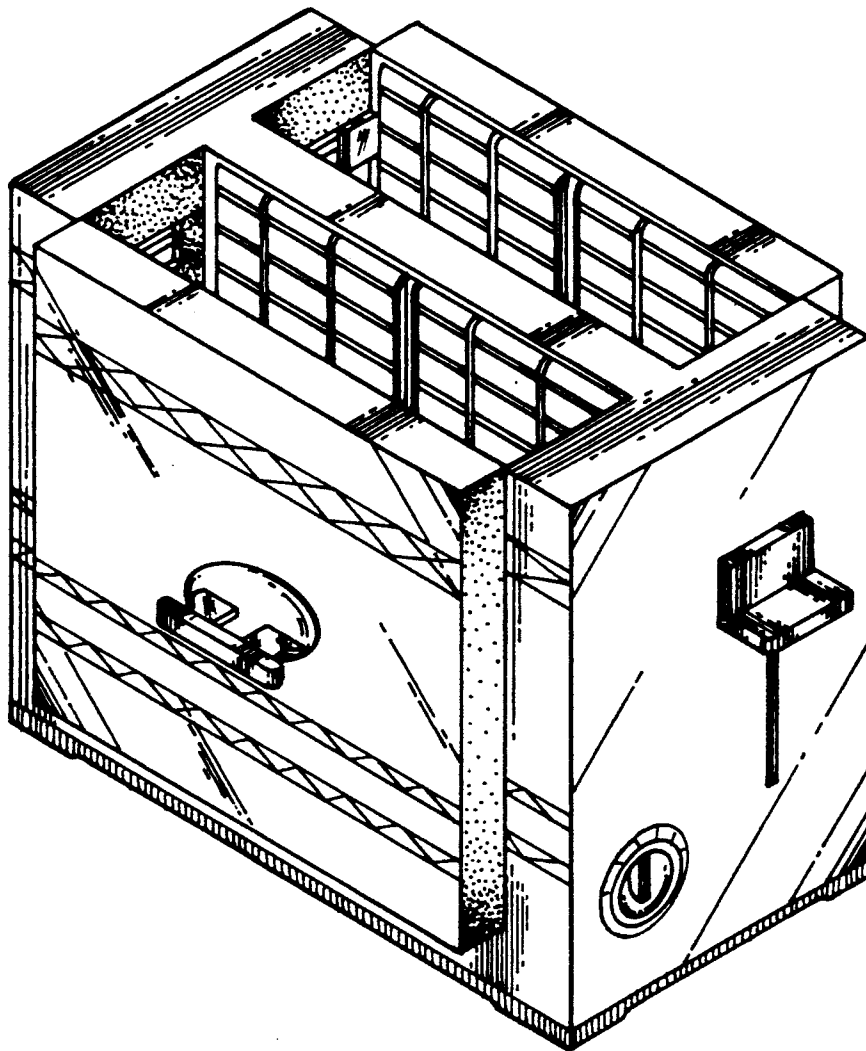
FIG. 3 is a left end elevational view thereof;

FIG. 4 is a right end elevational view thereof;

FIG. 5 is a top plan view thereof; and,

FIG. 6 is a bottom view thereof.

The electric power cord is shown in FIGS. 1, 2, 5 and 6 in cutoff fashion for simplicity of disclosure.



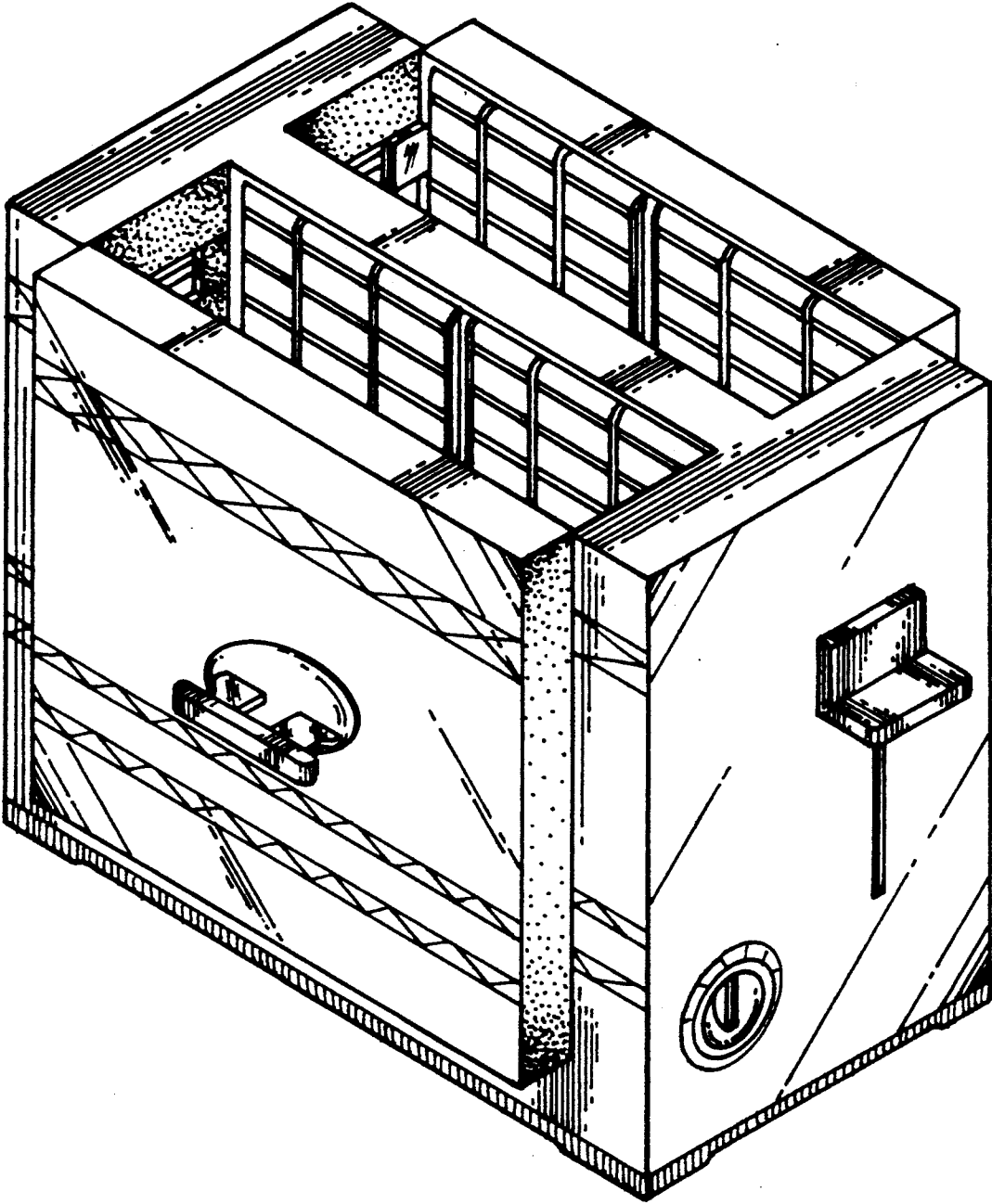


FIG. 1

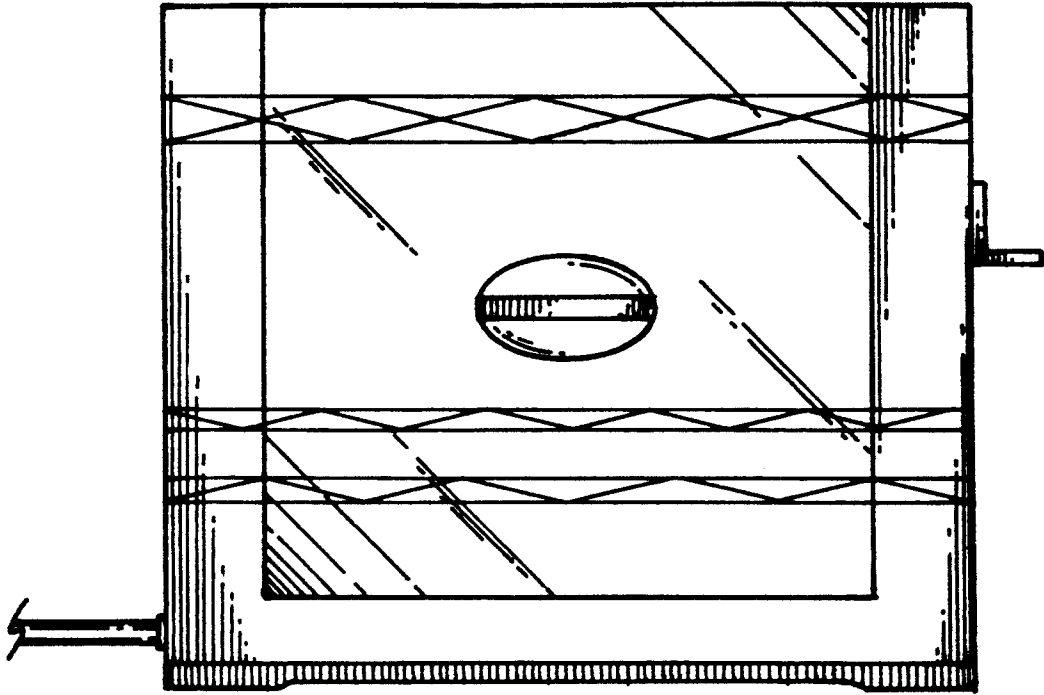


FIG. 2

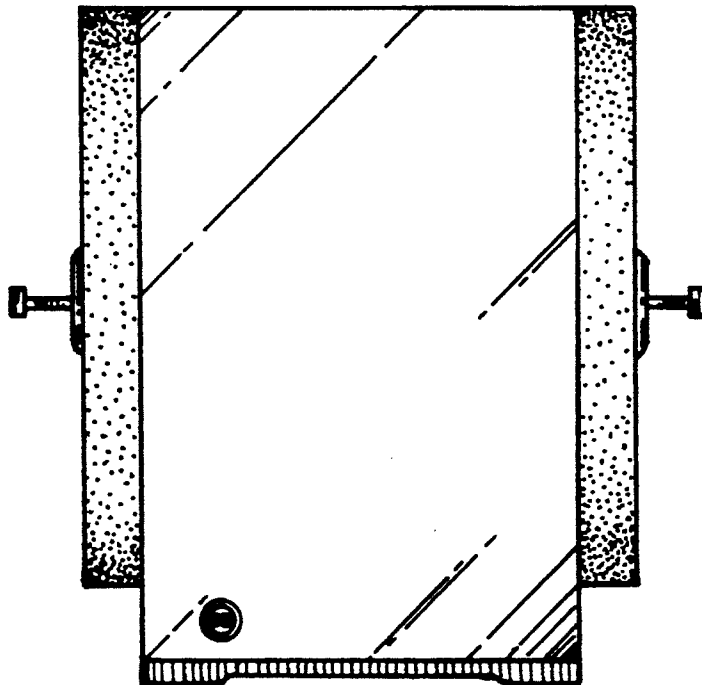


FIG. 3

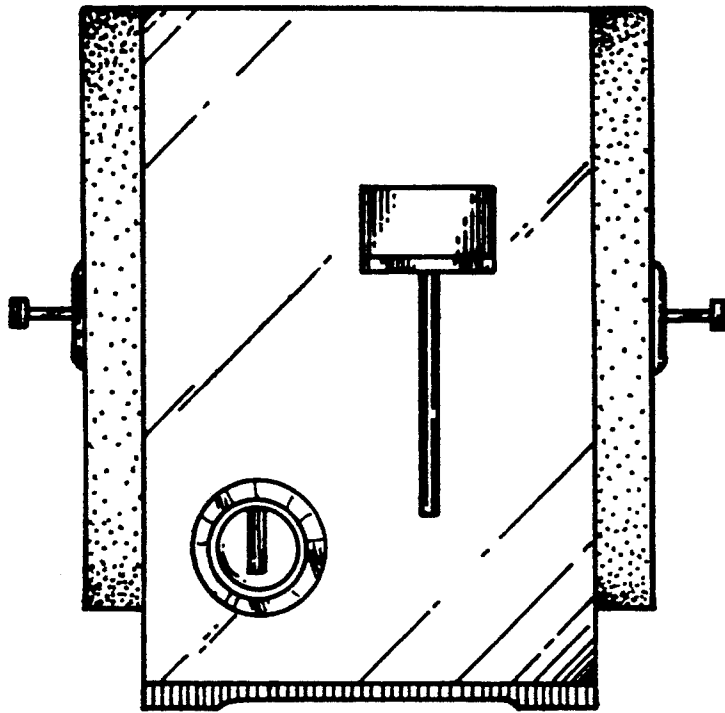


FIG. 4

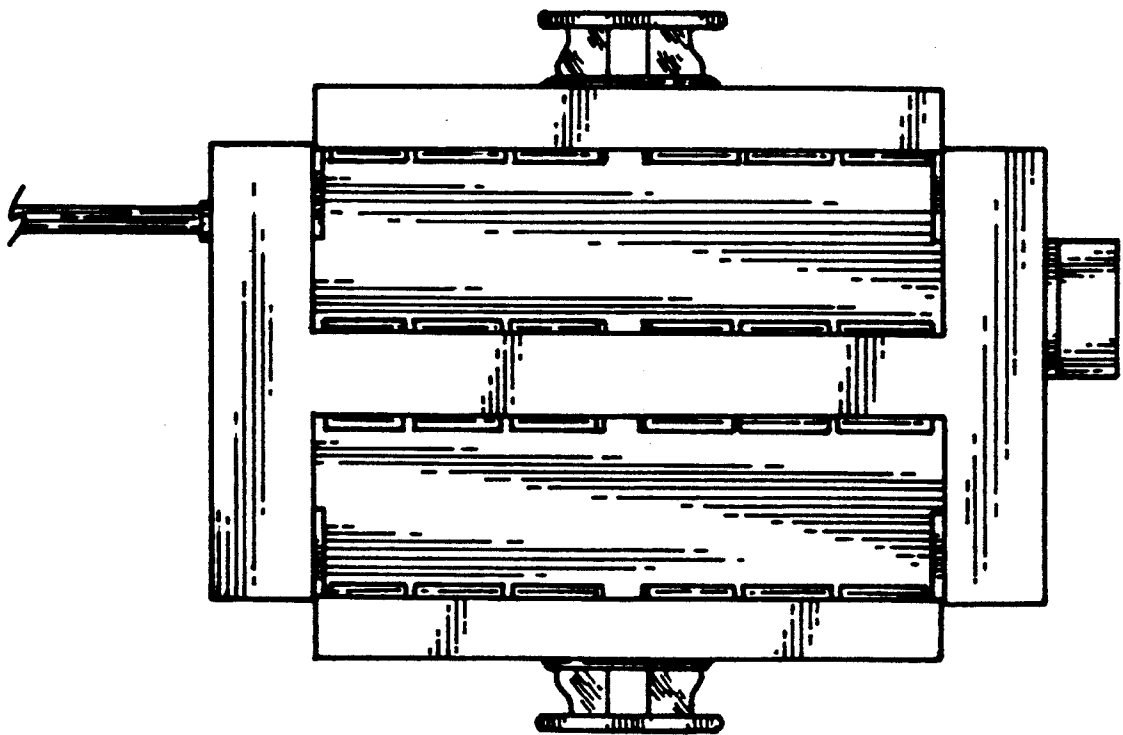


FIG. 5

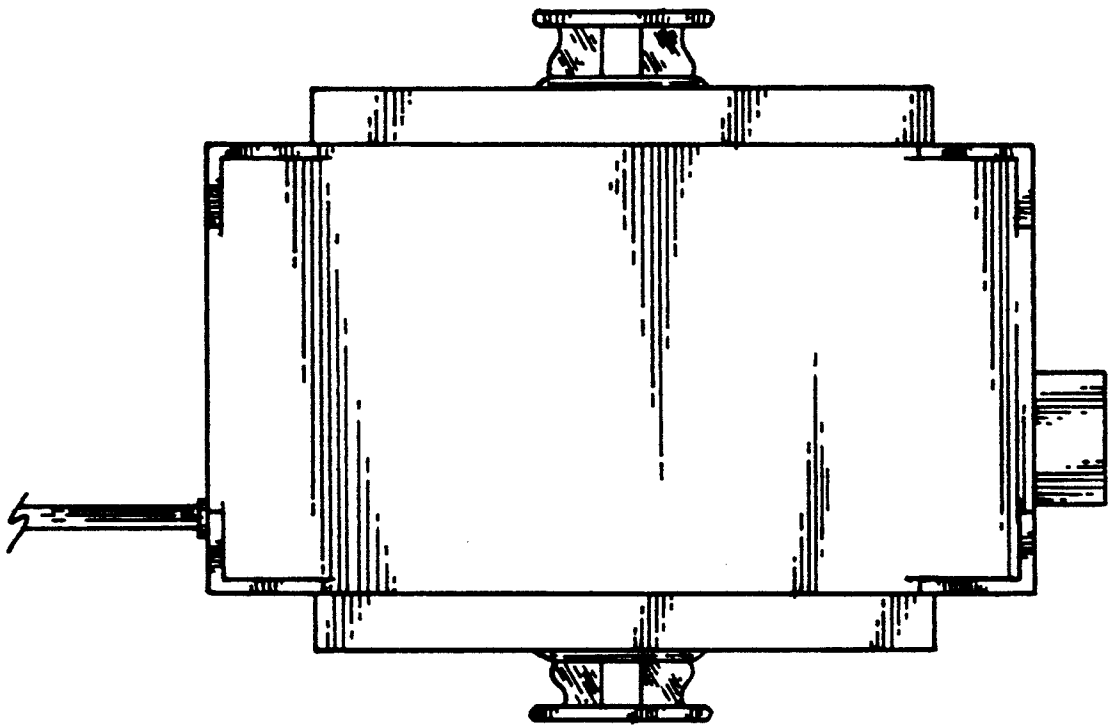


FIG. 6