



US00D534822S

(12) **United States Design Patent**
Wadda

(10) **Patent No.:** **US D534,822 S**

(45) **Date of Patent:** **** Jan. 9, 2007**

(54) **WIRELESS MONITORING SYSTEM**

(76) Inventor: **Abdulai Wadda**, P.O. Box 1047,
Pawtucket, RI (US) 02862

(**) Term: **14 Years**

(21) Appl. No.: **29/220,964**

(22) Filed: **Jan. 7, 2005**

(51) **LOC (8) Cl.** **10-05**

(52) **U.S. Cl.** **D10/104**

(58) **Field of Classification Search** D14/158,
D14/140, 240, 223, 346, 137, 138, 144, 147,
D14/341, 344; D10/38, 106; D3/208; D13/168;
340/539.13, 573.4, 628; 368/72, 140; 342/357.06
See application file for complete search history.

(56) **References Cited**

U.S. PATENT DOCUMENTS

- D272,993 S * 3/1984 Chan D10/106
- D329,388 S * 9/1992 Takahashi D10/30
- D345,314 S * 3/1994 Chandra D10/106
- D376,544 S * 12/1996 Egbert D10/31
- D385,502 S * 10/1997 Lanza D10/104
- 5,712,619 A 1/1998 Simkin
- D391,508 S * 3/1998 Lucas D10/104
- D392,202 S * 3/1998 Nitzberg D10/106
- D395,836 S * 7/1998 Morelli, Jr. D10/106
- D406,073 S * 2/1999 Clemons D10/104
- 5,905,460 A 5/1999 Odagiri
- 5,923,255 A 7/1999 Vahdatshoar
- 5,936,530 A 8/1999 Meinhold
- D440,170 S 4/2001 Conerly
- 6,278,370 B1 8/2001 Underwood
- 6,285,289 B1 * 9/2001 Thornblad 340/628
- D482,340 S * 11/2003 Cianfanelli D14/144

- D508,038 S * 8/2005 Bonadei D14/138
- D515,447 S * 2/2006 Gilliam D10/106
- D516,052 S * 2/2006 Johnson et al. D14/158
- 2004/0155779 A1 * 8/2004 Ballard 340/573.1

OTHER PUBLICATIONS

D Mart Stores; Child Locator by Fisher Price.*
WWW.TECHNOGADGETS.COM; Wherify GPS Personal
Locator.*
WWW.DIGITALANGLE.COM; Digital Angel.*
WWW.EWORLDTRACK.COM; eworldtrack Personal
Locator.*

* cited by examiner

Primary Examiner—Cathron C. Brooks
Assistant Examiner—Austin Murphy
(74) *Attorney, Agent, or Firm*—Lawrence J. Gibney, Jr.

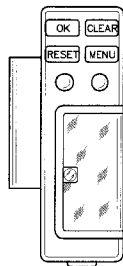
(57) **CLAIM**

The ornamental design for wireless monitoring system, as shown and described.

DESCRIPTION

FIG. 1 is the top view of the wireless monitoring system. FIG. 2 is the bottom view of the wireless monitoring system. FIG. 3 is the back view of the wireless monitoring system. FIG. 4 is the front side view of the wireless monitoring system. FIG. 5 is the right side view of the wireless monitoring system. FIG. 6 is the left side view of the wireless monitoring system; and, FIG. 7 is an isometric view of the wireless monitoring system.

1 Claim, 4 Drawing Sheets



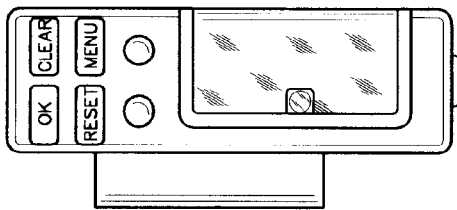
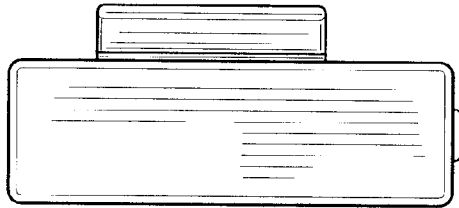


FIG. 2

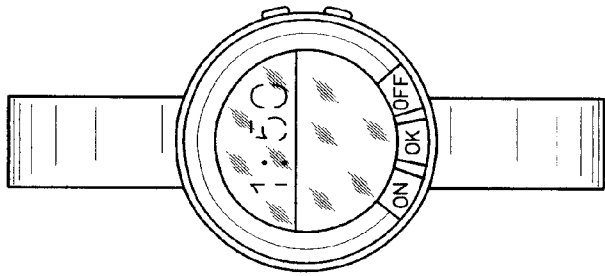
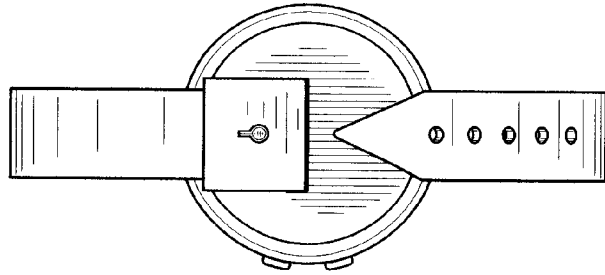


FIG. 1

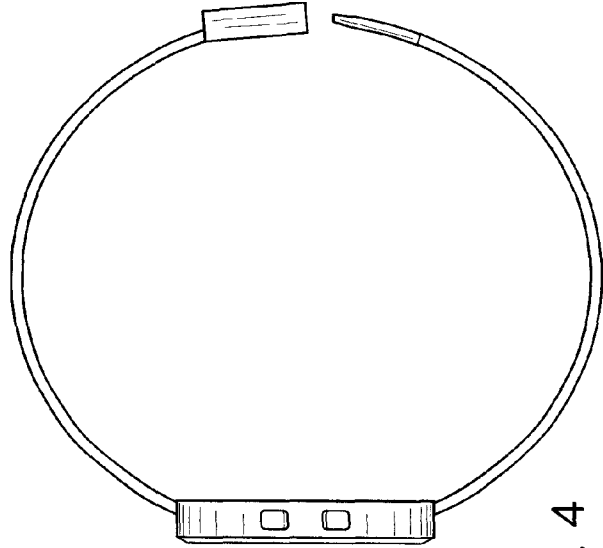
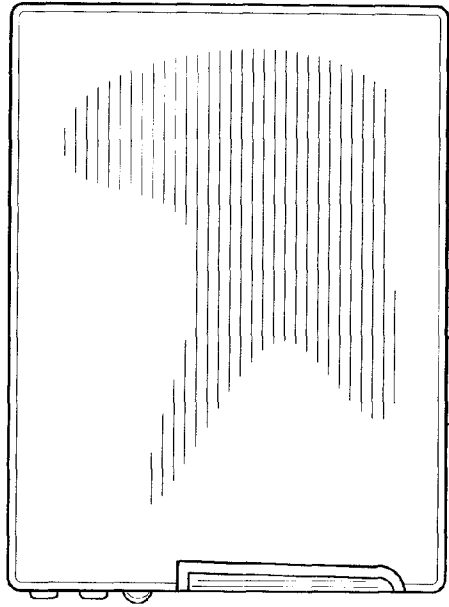


FIG. 4

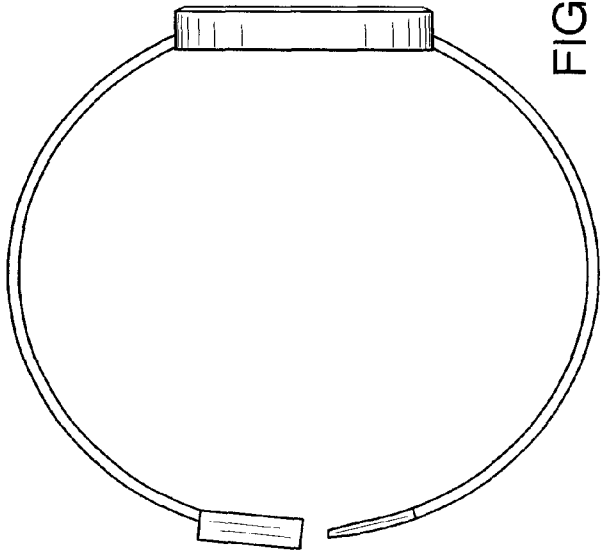
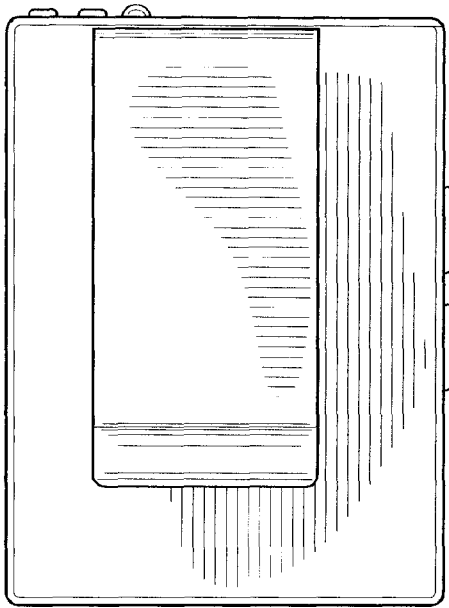


FIG. 3

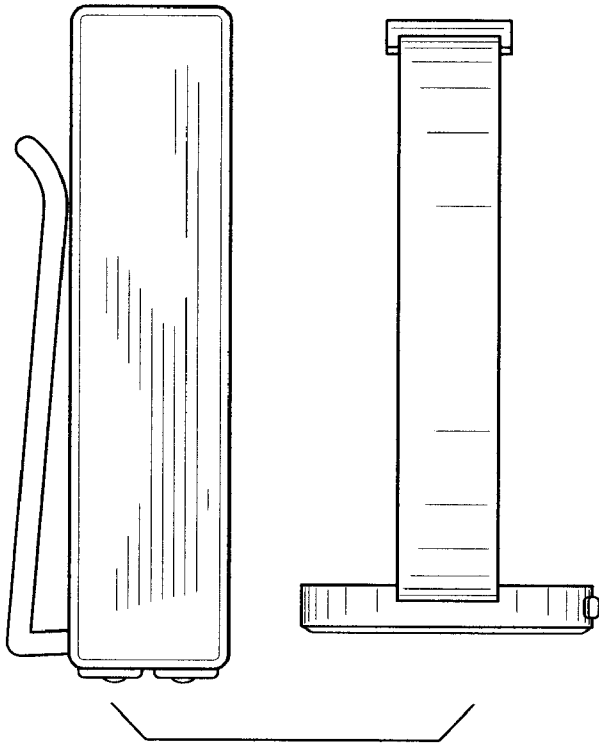


FIG. 5

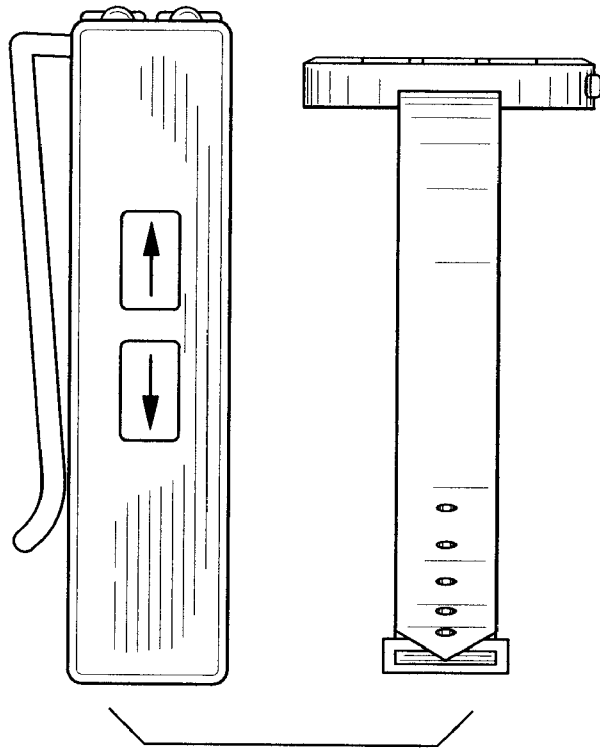


FIG. 6

