



- (51) International Patent Classification:
F02B 37/12 (2006.01) F02D 23/00 (2006.01)
F02B 39/00 (2006.01)
- (21) International Application Number:
PCT/US2012/020721
- (22) International Filing Date:
10 January 2012 (10.01.2012)
- (25) Filing Language: English
- (26) Publication Language: English
- (30) Priority Data:
10 2011009 610.8
27 January 2011 (27.01.2011) DE
- (71) Applicant (for all designated States except US):
BORGWARNER INC. [US/US]; Patent Department,
3850 Hamlin Road, Auburn Hills, Michigan 48326 (US).
- (72) Inventor; and
- (75) Inventor/Applicant (for US only): **GROSSMANN, Stefan** [DE/DE]; St. Urban Str. 4, 67550 Worms (DE).
- (74) Agents: **PENDORF, Stephan A.** et al.; Patent Central LLC, 1401 Hollywood Boulevard, Hollywood, Florida 33020-5237 (US).

- (81) Designated States (unless otherwise indicated, for every kind of national protection available): AE, AG, AL, AM, AO, AT, AU, AZ, BA, BB, BG, BH, BR, BW, BY, BZ, CA, CH, CL, CN, CO, CR, CU, CZ, DE, DK, DM, DO, DZ, EC, EE, EG, ES, FI, GB, GD, GE, GH, GM, GT, HN, HR, HU, ID, IL, IN, IS, JP, KE, KG, KM, KN, KP, KR, KZ, LA, LC, LK, LR, LS, LT, LU, LY, MA, MD, ME, MG, MK, MN, MW, MX, MY, MZ, NA, NG, NI, NO, NZ, OM, PE, PG, PH, PL, PT, QA, RO, RS, RU, RW, SC, SD, SE, SG, SK, SL, SM, ST, SV, SY, TH, TJ, TM, TN, TR, TT, TZ, UA, UG, US, UZ, VC, VN, ZA, ZM, ZW.
- (84) Designated States (unless otherwise indicated, for every kind of regional protection available): ARIPO (BW, GH, GM, KE, LR, LS, MW, MZ, NA, RW, SD, SL, SZ, TZ, UG, ZM, ZW), Eurasian (AM, AZ, BY, KG, KZ, MD, RU, TJ, TM), European (AL, AT, BE, BG, CH, CY, CZ, DE, DK, EE, ES, FI, FR, GB, GR, HR, HU, IE, IS, IT, LT, LU, LV, MC, MK, MT, NL, NO, PL, PT, RO, RS, SE, SI, SK, SM, TR), OAPI (BF, BJ, CF, CG, CI, CM, GA, GN, GQ, GW, ML, MR, NE, SN, TD, TG).

Declarations under Rule 4.17:

— as to applicant's entitlement to apply for and be granted a patent (Rule 4.17(ii))

[Continued on next page]

(54) Title: REGULATING FLAP ARRANGEMENT

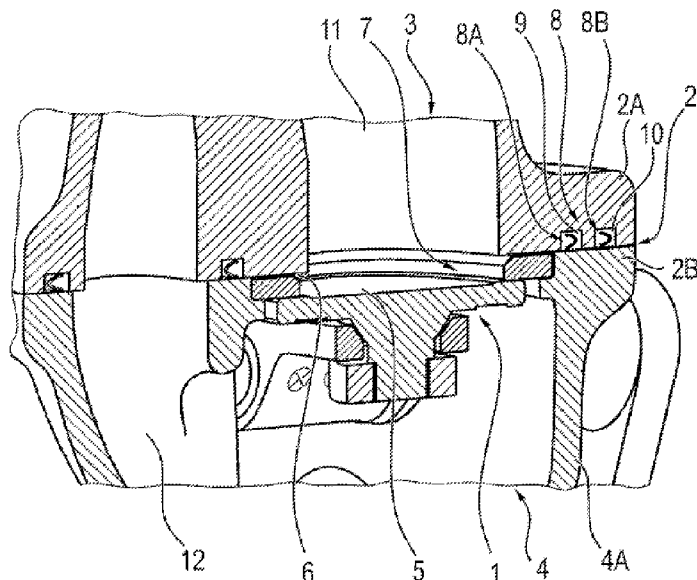


FIG. 1

(57) Abstract: The invention relates to a regulating flap arrangement (1) in a flange connection (2) between a turbine housing of a two-stage exhaust-gas turbocharger and an exhaust manifold of an engine, having a regulating flap plate (5) which is pivotable between an open position and a closed position for opening and closing a connecting opening (6) arranged in the flange connection (2); having an insert ring (7) which is arranged in the connecting opening (6); and having a sealing arrangement (8), wherein the sealing arrangement (8) has two V-rings (8A, 8B), of which a first V-ring (8A) is arranged in a first groove (9) provided adjacent to the connecting opening (6), and the second V-ring (8B) is arranged in a second groove (10) which is arranged, spaced apart radially outward from the first groove (9), in the flange connection (2).



-
- *as to the applicant's entitlement to claim the priority of the earlier application (Rule 4.17(iii))* — *before the expiration of the time limit for amending the claims and to be republished in the event of receipt of amendments (Rule 48.2(h))*
- *of inventorship (Rule 4.17(iv))*

Published:

- *with international search report (Art. 21(3))*

(88) Date of publication of the international search report:

18 October 2012

INTERNATIONAL SEARCH REPORT

International application No.
PCT/US2012/020721**A. CLASSIFICATION OF SUBJECT MATTER*****F02B 37/12(2006.01)i, F02B 39/00(2006.01)i, F02D 23/00(2006.01)i***

According to International Patent Classification (IPC) or to both national classification and IPC

B. FIELDS SEARCHED

Minimum documentation searched (classification system followed by classification symbols)

F02B 37/12; F16K 15/03; F16K 1/22

Documentation searched other than minimum documentation to the extent that such documents are included in the fields searched

Korean utility models and applications for utility models

Japanese utility models and applications for utility models

Electronic data base consulted during the international search (name of data base and, where practicable, search terms used)

eKOMPASS(KIPO internal) & Keywords: flap, sealing, V-ring, groove, manifold, turbocharger, flange connection

C. DOCUMENTS CONSIDERED TO BE RELEVANT

Category*	Citation of document, with indication, where appropriate, of the relevant passages	Relevant to claim No.
A	US 04730456 A (TADOKORO; TOMCO et al.) 15 March 1988 See column 4 line 12 - column 5 line 51 and figure 4	1-14
A	US 05350154 A (TAKAMA; KENICHIRO et al.) 27 September 1994 See column 3 line 60 - column 5 line 34 and figures 4,12	1-14
A	US 04660599 A (FAST; RONALD W.) 28 April 1987 See column 3 lines 23-48 and figure 1	1-14
A	US 04872480 A (SCARAMUCCI JOHN P.) 10 October 1989 See figures 1,10,23,25	1-14

 Further documents are listed in the continuation of Box C. See patent family annex.

* Special categories of cited documents:

"A" document defining the general state of the art which is not considered to be of particular relevance

"E" earlier application or patent but published on or after the international filing date

"L" document which may throw doubts on priority claim(s) or which is cited to establish the publication date of citation or other special reason (as specified)

"O" document referring to an oral disclosure, use, exhibition or other means

"P" document published prior to the international filing date but later than the priority date claimed

"T" later document published after the international filing date or priority date and not in conflict with the application but cited to understand the principle or theory underlying the invention

"X" document of particular relevance; the claimed invention cannot be considered novel or cannot be considered to involve an inventive step when the document is taken alone

"Y" document of particular relevance; the claimed invention cannot be considered to involve an inventive step when the document is combined with one or more other such documents, such combination being obvious to a person skilled in the art

"&" document member of the same patent family

Date of the actual completion of the international search

27 AUGUST 2012 (27.08.2012)

Date of mailing of the international search report

28 AUGUST 2012 (28.08.2012)

Name and mailing address of the ISA/KR

Korean Intellectual Property Office
189 Cheongsu-ro, Seo-gu, Daejeon Metropolitan
City, 302-701, Republic of Korea

Facsimile No. 82-42-472-7140

Authorized officer

LEE, TAEK SANG

Telephone No. 82-42-481-5492



INTERNATIONAL SEARCH REPORT

Information on patent family members

International application No.

PCT/US2012/020721

Patent document cited in search report	Publication date	Patent family member(s)	Publication date
US 04730456 A	15.03.1988	EP 0196183 A2	01.10.1986
		EP 0196183 A3	16.09.1987
		EP 0196183 B1	20.12.1989
		EP 0196183 B1	23.04.1997
		JP 02-017692 B	23.04.1990
		JP 1594615 C	27.12.1990
		JP 60-128931 A	10.07.1985
		JP 61-215424 A	25.09.1986
		US 04617799A A	21.10.1986
		US 05350154 A	27.09.1994
JP 06-146874 A	27.05.1994		
JP 06-280627 A	04.10.1994		
JP 3315445 B2	19.08.2002		
US 04660599 A	28.04.1987	None	
US 04872480 A	10.10.1989	US 04781212 A	01.11.1988
		US 04781214 A	01.11.1988
		US 04809738 A	07.03.1989
		US 04809739 A	07.03.1989
		US 04809741 A	07.03.1989
		US 04860790 A	29.08.1989
		US 04872477 A	10.10.1989
		US 04872478 A	10.10.1989
		US 04872479 A	10.10.1989
		US 04872480 A	10.10.1989