



US00D688241S

(12) **United States Design Patent**
Miller et al.

(10) **Patent No.:** **US D688,241 S**

(45) **Date of Patent:** **** Aug. 20, 2013**

(54) **SQUARE SHAPED PLAYING CARD READER**

(75) Inventors: **Arthur C. Miller**, Las Vegas, NV (US);
Dean A. Isaacs, Las Vegas, NV (US)

(73) Assignee: **Tech Art, Inc.**, Las Vegas, NV (US)

(**) Term: **14 Years**

(21) Appl. No.: **29/400,402**

(22) Filed: **Aug. 26, 2011**

(51) **LOC (9) Cl.** **14-02**

(52) **U.S. Cl.**
USPC **D14/385**

(58) **Field of Classification Search**
USPC D14/356-358, 383-385, 420, 426,
D14/427, 432-439, 447, 453, 454, 217, 253,
D14/299; D13/107, 108, 133, 146, 147,
D13/152, 154, 156, 158, 162, 162.1, 168,
D13/173, 177, 102; 235/441, 451, 492, 380,
235/439, 375; 361/679.31, 600, 679.01,
361/679.02

See application file for complete search history.

(56) **References Cited**

U.S. PATENT DOCUMENTS

233,829 A	11/1880	Adt
1,356,398 A	10/1920	Owens
1,590,463 A	6/1926	Wood
1,919,922 A	7/1933	Baker, Jr. et al.
2,046,595 A	7/1936	Yerkes
3,034,512 A	5/1962	Hunter
3,165,319 A	1/1965	Benima
3,222,071 A	12/1965	Lang
3,312,473 A	4/1967	Friedman et al.
3,489,907 A	1/1970	Kenez
3,529,829 A	9/1970	Seifert
3,658,342 A	4/1972	Borea
3,690,670 A	9/1972	Cassady et al.
3,716,238 A	2/1973	Porter
3,731,936 A	5/1973	Copeland

3,742,616 A	7/1973	Heller
3,743,294 A	7/1973	Forster
3,751,041 A	8/1973	Seifert
3,779,554 A	12/1973	Brix
3,814,436 A	6/1974	Boren

(Continued)

FOREIGN PATENT DOCUMENTS

DE	1039429	9/1958
DE	3807127 A1	9/1989

(Continued)

Primary Examiner — Austin Murphy

(74) *Attorney, Agent, or Firm* — Kevin P. Crosby;
GrayRobinson, P.A.

(57) **CLAIM**

The ornamental design for square shaped playing card reader, as shown and described.

DESCRIPTION

FIG. 1. is a left front perspective view of a second embodiment of the design.

FIG. 2. is a top plan view thereof.

FIG. 3. is a right side elevational view thereof.

FIG. 4. is a front elevational view thereof.

FIG. 5. is a bottom plan view thereof.

FIG. 6. is a rear elevational view thereof.

FIG. 7. is a left side elevational view of a second embodiment of the design.

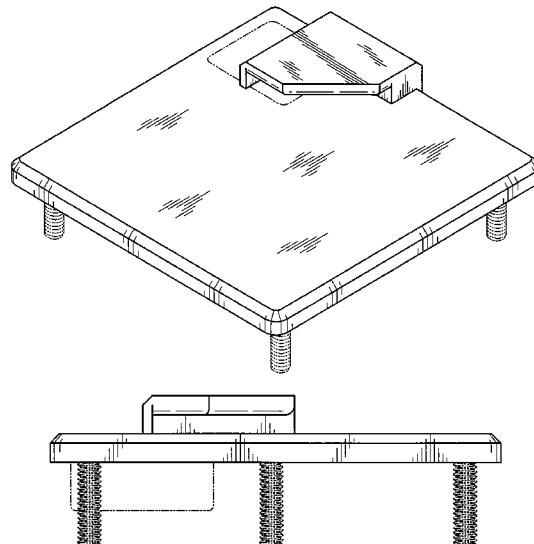
FIG. 8. is a right front perspective view of a second embodiment of the design.

FIG. 9. is a left rear perspective view of a second embodiment of the design; and,

FIG. 10. is a right rear perspective view of a second embodiment of the design.

The broken lines shown in the drawings represent portions of the square shaped playing card reader that form no part of the claimed design.

1 Claim, 10 Drawing Sheets



(56)

References Cited

U.S. PATENT DOCUMENTS

3,858,797 A 1/1975 Takeuchi
 3,929,339 A 12/1975 Mattioli
 4,026,309 A 5/1977 Howard
 4,146,229 A 3/1979 Morse
 4,314,700 A 2/1982 Dylag
 4,531,187 A 7/1985 Uhland
 4,534,562 A 8/1985 Cuff et al.
 4,667,959 A 5/1987 Pfeiffer et al.
 4,814,589 A 3/1989 Storch et al.
 4,822,050 A 4/1989 Normand et al.
 D317,951 S 7/1991 Miller
 5,039,102 A 8/1991 Miller
 5,067,713 A 11/1991 Soules et al.
 5,110,134 A 5/1992 Laughlin et al.
 5,219,172 A 6/1993 Laughlin et al.
 5,224,712 A 7/1993 Laughlin et al.
 5,283,422 A 2/1994 Storch et al.
 5,312,104 A 5/1994 Miller
 5,362,053 A 11/1994 Miller
 5,364,106 A 11/1994 Laughlin et al.
 5,374,061 A 12/1994 Albrecht
 5,451,054 A 9/1995 Orenstein
 5,531,331 A 7/1996 Barnett
 5,651,548 A 7/1997 French et al.
 5,669,816 A 9/1997 Garczynski et al.
 5,681,039 A 10/1997 Miller
 5,722,893 A 3/1998 Hill et al.
 5,757,876 A 5/1998 Dam et al.
 5,779,546 A 7/1998 Meissner et al.
 5,781,647 A 7/1998 Fishbine et al.
 5,809,482 A 9/1998 Strisower
 5,933,244 A 8/1999 Kiritchenko
 5,941,769 A 8/1999 Order
 5,961,121 A 10/1999 Brown
 6,039,650 A 3/2000 Hill
 6,126,166 A 10/2000 Lorson et al.
 6,254,484 B1 7/2001 McCrea, Jr.
 6,267,671 B1 7/2001 Hogan
 6,299,536 B1 10/2001 Hill
 6,313,871 B1 11/2001 Schubert
 6,346,044 B1 2/2002 McCrea, Jr.
 6,431,984 B2 8/2002 Coyer et al.
 6,460,848 B1 10/2002 Soltys et al.
 6,514,140 B1 2/2003 Storch
 6,517,435 B2 2/2003 Soltys et al.
 6,517,436 B2 2/2003 Soltys et al.
 6,520,857 B2 2/2003 Soltys et al.

6,527,271 B2 3/2003 Soltys et al.
 6,530,836 B2 3/2003 Soltys et al.
 6,532,297 B1 3/2003 Lindquist
 6,533,276 B2 3/2003 Soltys et al.
 6,567,159 B1 5/2003 Corech
 6,579,180 B2 6/2003 Soltys et al.
 6,595,857 B2 7/2003 Soltys et al.
 6,609,710 B1 8/2003 Order
 6,619,662 B2 9/2003 Miller
 6,626,750 B2 9/2003 Momemy
 6,629,889 B2 10/2003 Mothwurf
 6,638,161 B2 10/2003 Soltys et al.
 6,652,379 B2 11/2003 Soltys et al.
 6,663,490 B2 12/2003 Soltys et al.
 6,685,568 B2 2/2004 Soltys et al.
 6,688,979 B2 2/2004 Soltys et al.
 6,712,696 B2 3/2004 Soltys et al.
 6,758,751 B2 7/2004 Soltys et al.
 6,845,905 B2 1/2005 Blad et al.
 6,848,994 B1 2/2005 Knust et al.
 6,857,961 B2 2/2005 Soltys et al.
 6,964,612 B2 11/2005 Soltys et al.
 7,011,309 B2 3/2006 Soltys et al.
 7,316,615 B2 1/2008 Soltys et al.
 7,669,851 B2* 3/2010 Blake 273/148 R
 8,033,548 B2* 10/2011 Shigeta 273/293
 8,308,163 B2* 11/2012 Shigeta 273/149 R
 8,387,983 B2* 3/2013 Shigeta 273/149 R
 2002/0086727 A1 7/2002 Soltys et al.
 2003/0220136 A1 11/2003 Soltys et al.
 2004/0219975 A1 11/2004 Soltys et al.
 2005/0239542 A1 10/2005 Olsen
 2005/0258597 A1 11/2005 Soltys et al.
 2005/0282623 A1 12/2005 Matsuno et al.
 2006/0019739 A1 1/2006 Soltys et al.
 2006/0063577 A1 3/2006 Downs, III et al.
 2006/0199649 A1 9/2006 Soltys et al.

FOREIGN PATENT DOCUMENTS

EP 0310516 A1 4/1989
 FR 1356398 2/1964
 FR 2109213 5/1972
 FR 2186839 1/1974
 FR 2427107 12/1979
 FR 2576518 8/1986
 GB 2061490 A 5/1981
 WO 9942186 A1 8/1999
 WO 0120489 A1 3/2001

* cited by examiner

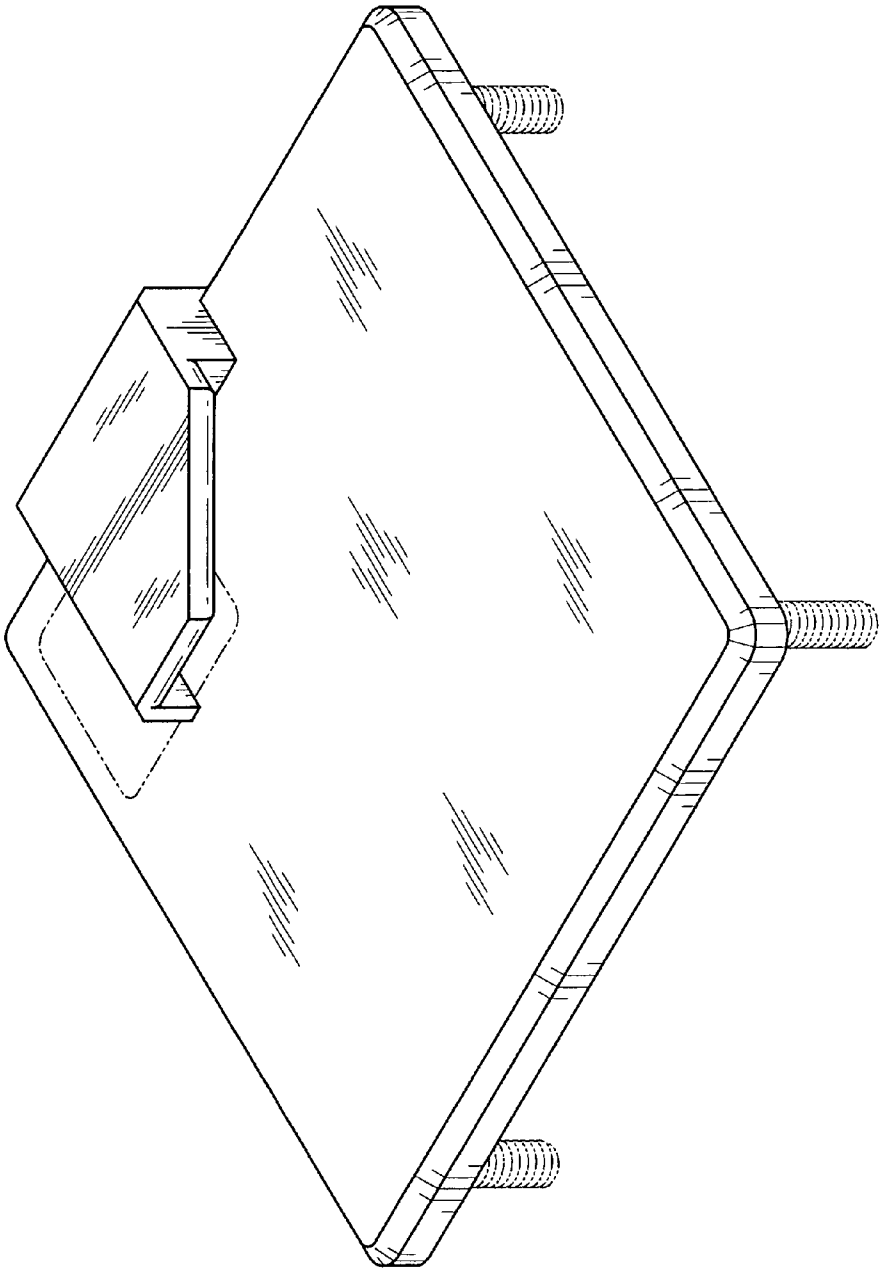


FIG. 1

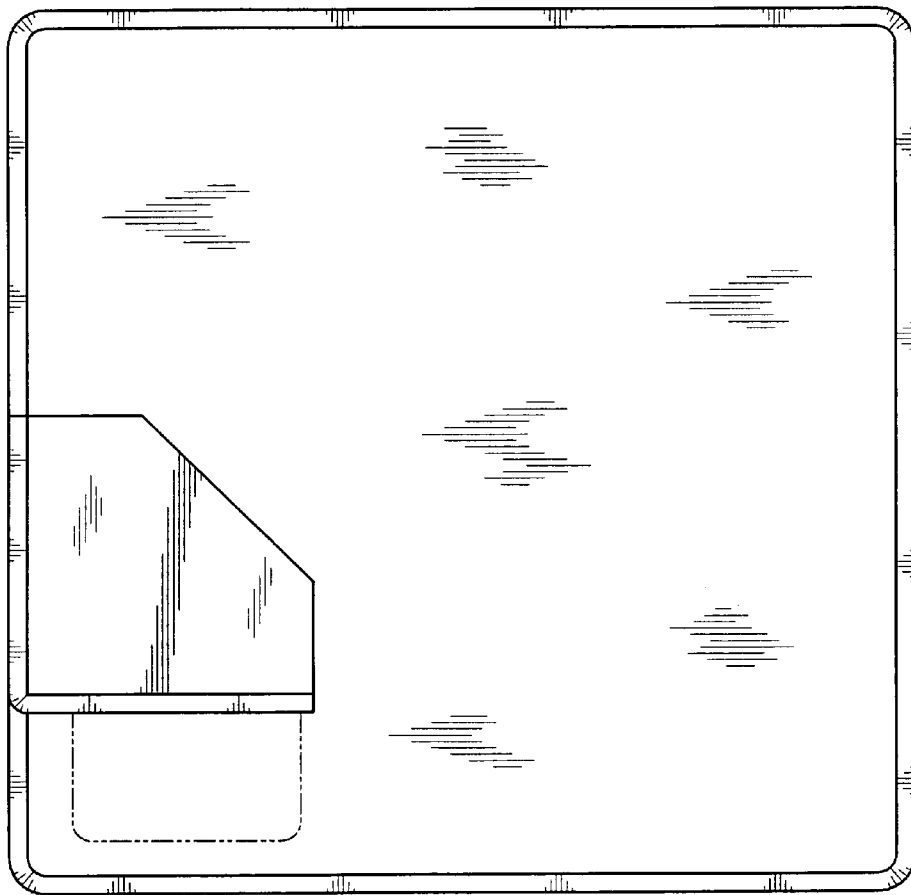


FIG. 2

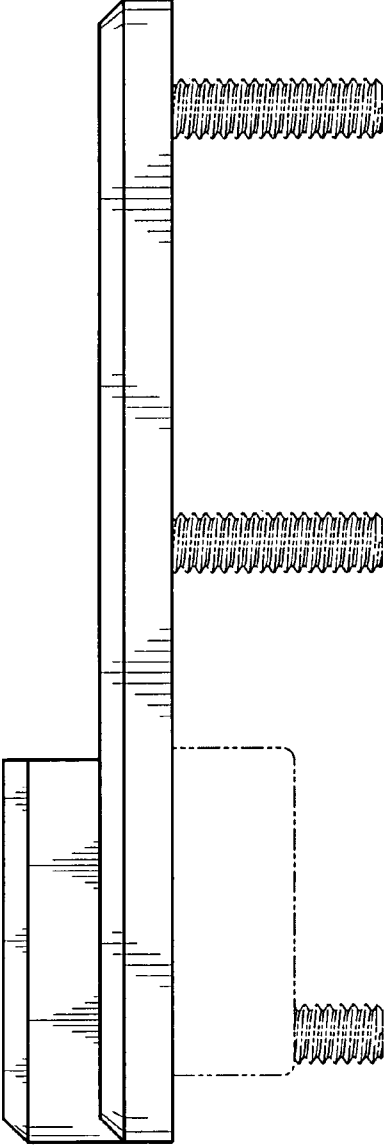


FIG. 3

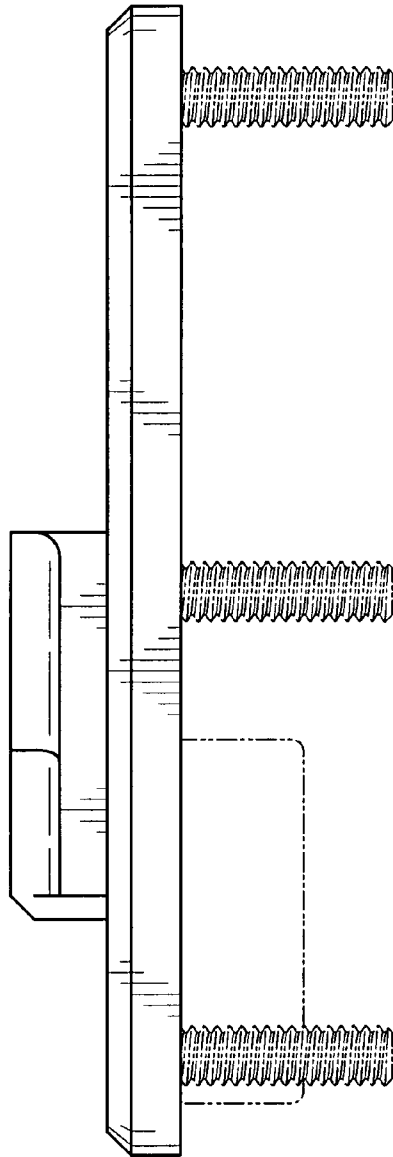


FIG. 4

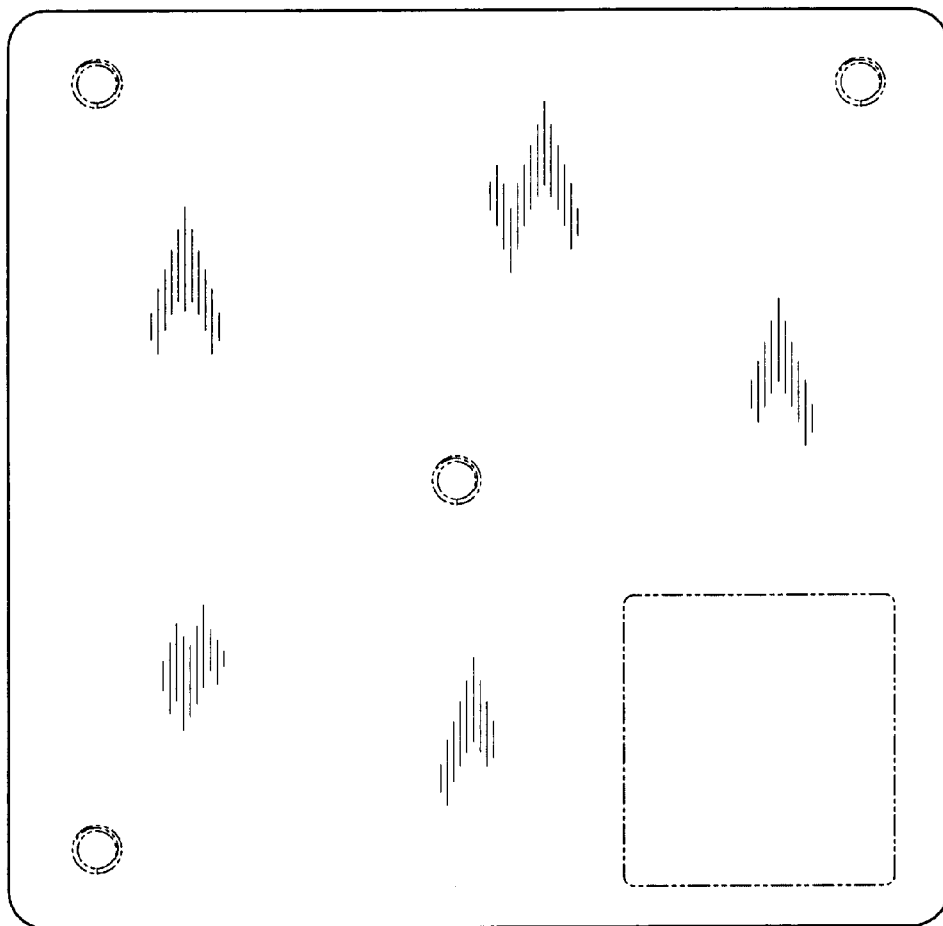


FIG. 5

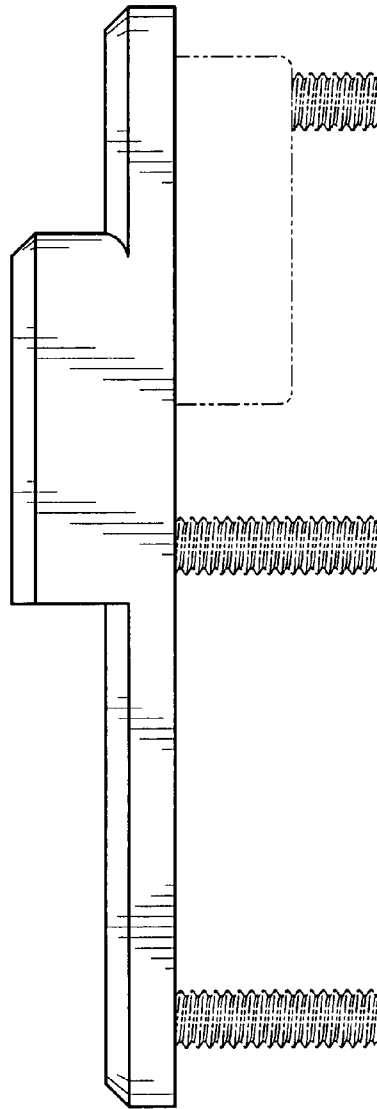


FIG. 6

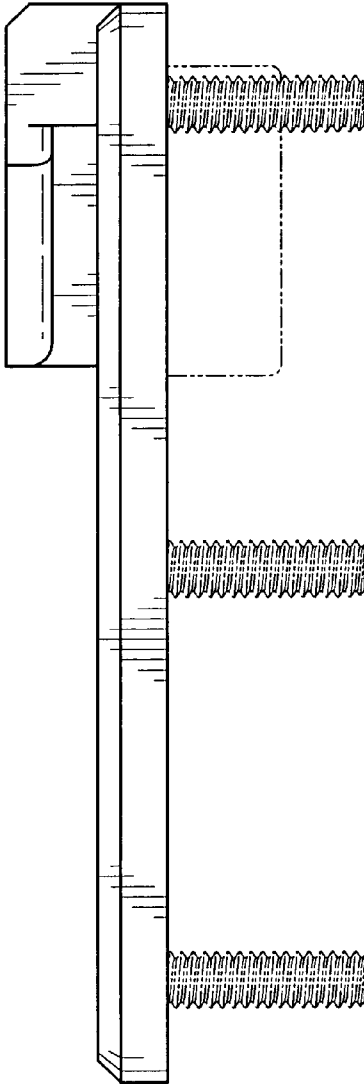


FIG. 7

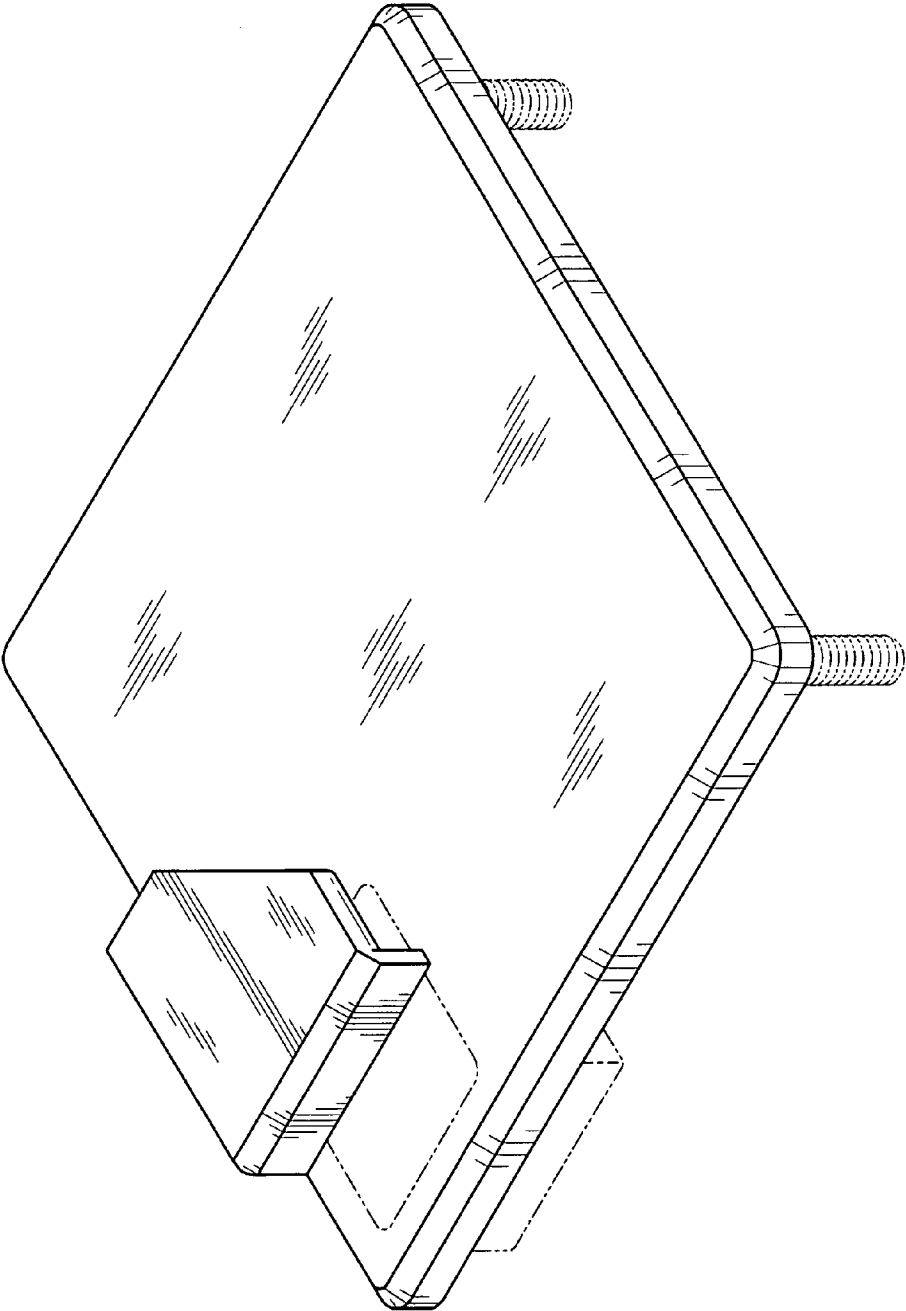


FIG. 8

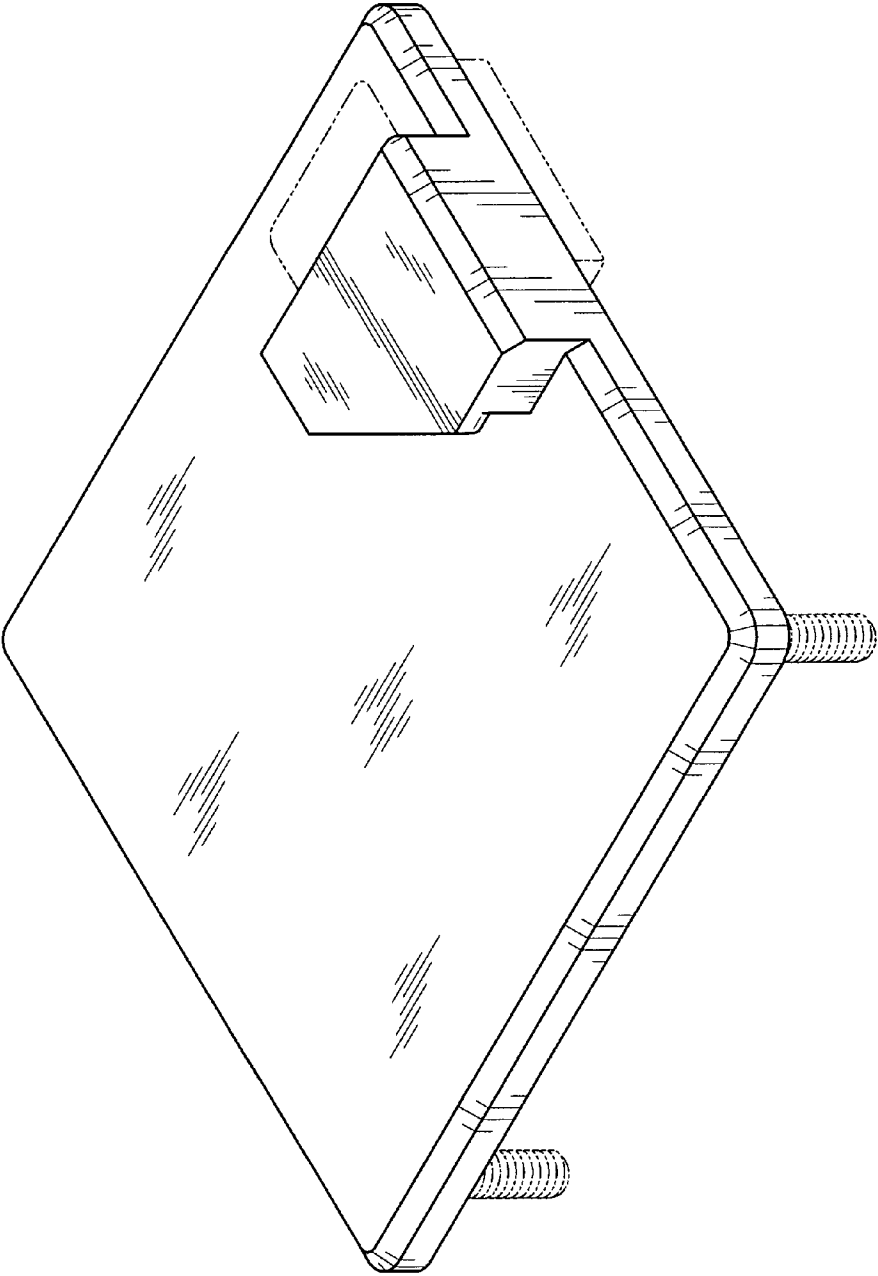


FIG. 9

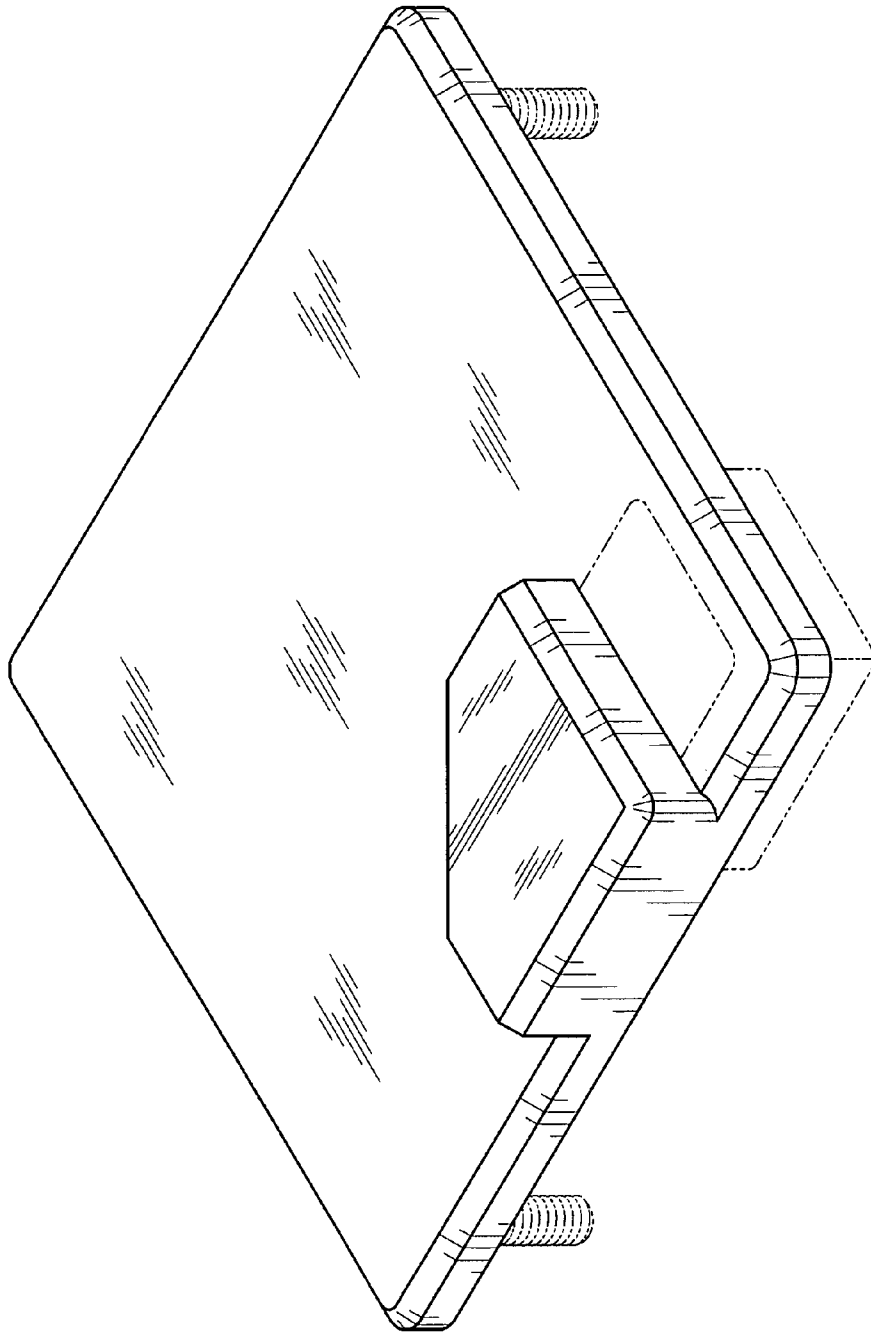


FIG. 10