



US0D1052136S

(12) **United States Design Patent**  
**Harders**

(10) **Patent No.:** **US D1,052,136 S**

(45) **Date of Patent:** **\*\* Nov. 19, 2024**

(54) **LOW-VOLTAGE LIGHT**

(71) Applicant: **Patrick Harders**, Sterling, VA (US)

(72) Inventor: **Patrick Harders**, Sterling, VA (US)

(\*\*) Term: **15 Years**

(21) Appl. No.: **29/766,483**

(22) Filed: **Jan. 15, 2021**

(51) **LOC (14) Cl.** ..... **26-05**

(52) **U.S. Cl.**

USPC ..... **D26/74**

(58) **Field of Classification Search**

USPC ..... D26/67-70, 74, 123-124

CPC . F21S 8/022; F21S 8/026; F21S 8/081; F21V  
21/047; F21W 2111/023; F21W 2111/027;

F21W 2131/107; F21W 2131/109

See application file for complete search history.

(56) **References Cited**

**U.S. PATENT DOCUMENTS**

|                |         |           |       |                       |
|----------------|---------|-----------|-------|-----------------------|
| D457,677 S *   | 5/2002  | Landefeld | ..... | D26/67                |
| D476,108 S *   | 6/2003  | Lecluze   | ..... | D26/74                |
| D488,583 S *   | 4/2004  | Benghozi  | ..... | D26/118               |
| D610,280 S *   | 2/2010  | Hua       | ..... | D26/74                |
| 7,722,216 B2 * | 5/2010  | Amor      | ..... | F21V 15/01<br>362/101 |
| D808,058 S *   | 1/2018  | Johnson   | ..... | D26/74                |
| D866,040 S *   | 11/2019 | Wu        | ..... | D26/74                |
| D867,645 S *   | 11/2019 | Ye        | ..... | D26/74                |
| D940,374 S *   | 1/2022  | Chen      | ..... | D26/74                |
| D942,667 S *   | 2/2022  | Ou Yang   | ..... | D26/74                |
| D970,781 S *   | 11/2022 | Perets    | ..... | D26/74                |
| D972,187 S *   | 12/2022 | Xiao      | ..... | D26/74                |
| D973,938 S *   | 12/2022 | Harders   | ..... | D26/67                |

**OTHER PUBLICATIONS**

Aqualux Lighting, Phoenix Uplight. First available unknown. Searched on Jun. 5, 2024. [https://aqualux.com.au/product/AQL-530] (Year: 2024).\*

Hui, Recessed Floor Spotlight. First available Mar. 27, 2021. Searched on Jun. 5, 2024. [https://www.amazon.de/-/en/Recessed-Spotlight-Lighting-Voltage-Landscape/dp/B09179CJD7] (Year: 2021).\*

Itti Luce, Lux Recessed Spot. First available unknown. Searched on Jun. 5, 2024. [https://ittiluce.com/product/lux-recessed-ip68/] (Year: 2024).\*

\* cited by examiner

*Primary Examiner* — W. A. Teddy Falloway

*Assistant Examiner* — Melissa A Santos

(57) **CLAIM**

The ornamental design for a low-voltage light, as shown and described.

**DESCRIPTION**

FIG. 1 is an isometric top view of a low-voltage light.

FIG. 2 is an isometric bottom view thereof.

FIG. 3 is a left side view thereof.

FIG. 4 is a front view thereof.

FIG. 5 is a right side view thereof.

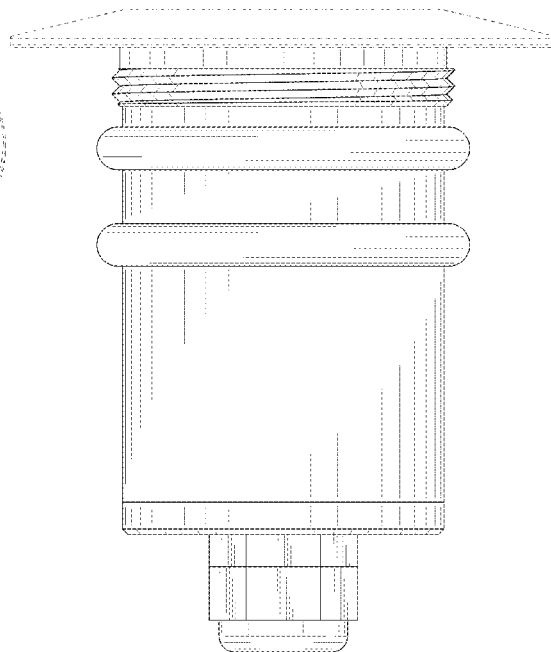
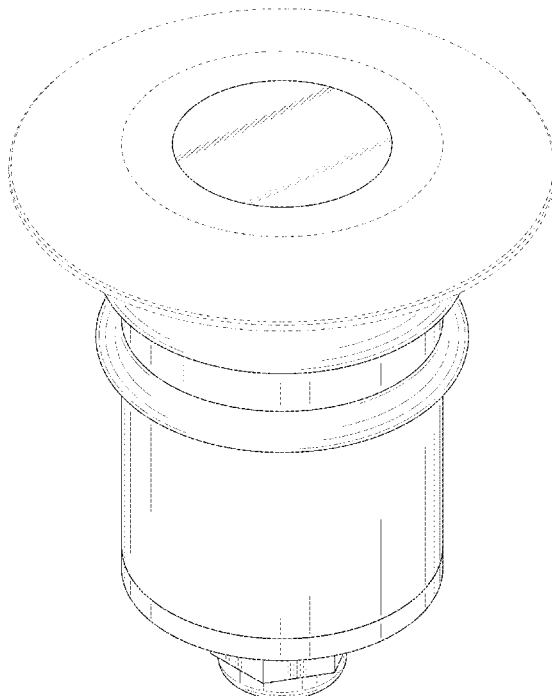
FIG. 6 is a rear view thereof.

FIG. 7 is a top view thereof; and,

FIG. 8 is a bottom view thereof.

The broken lines are presented for the purpose of illustrating portions of the low-voltage light and form no part of the claimed design.

**1 Claim, 8 Drawing Sheets**



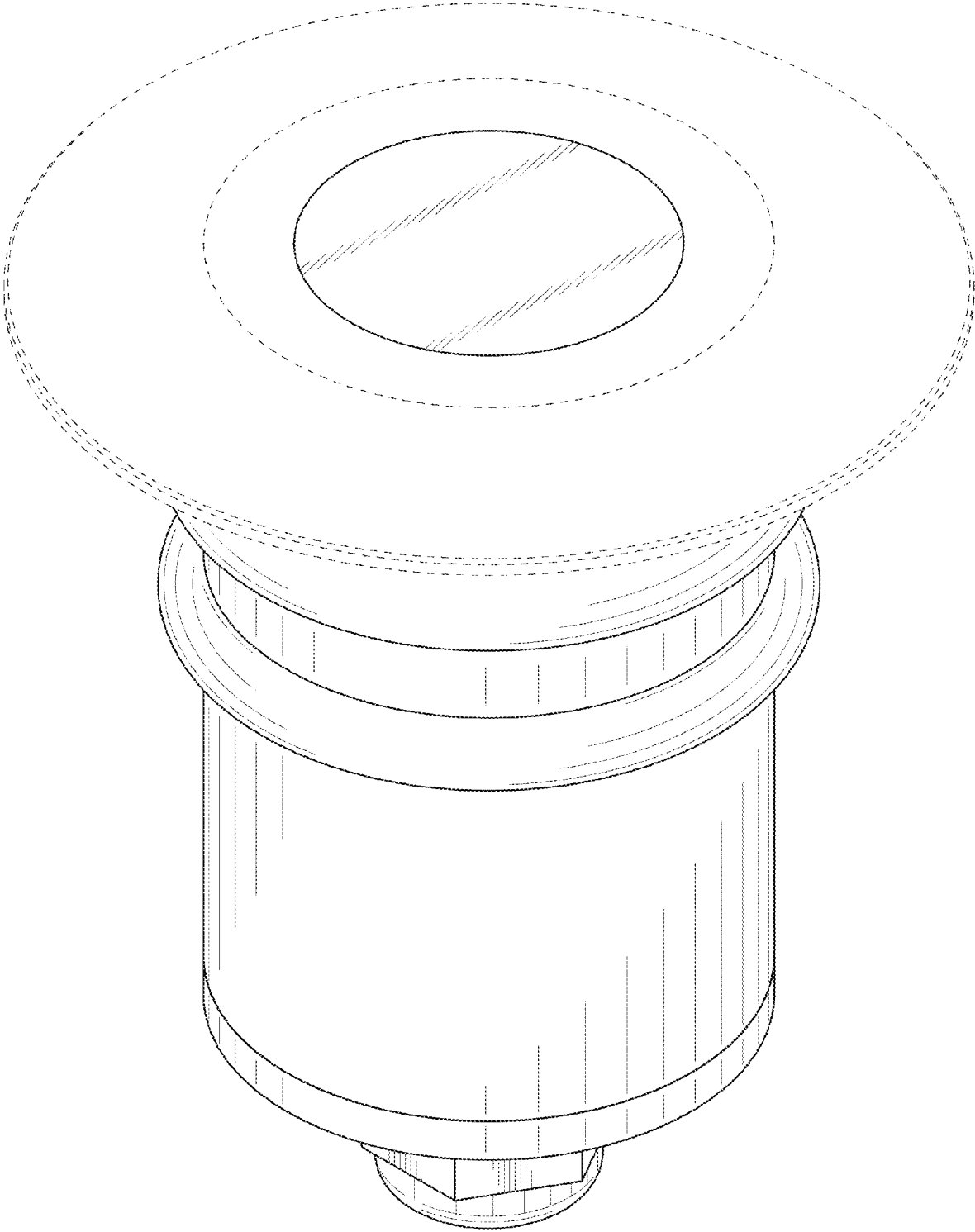


FIG. 1

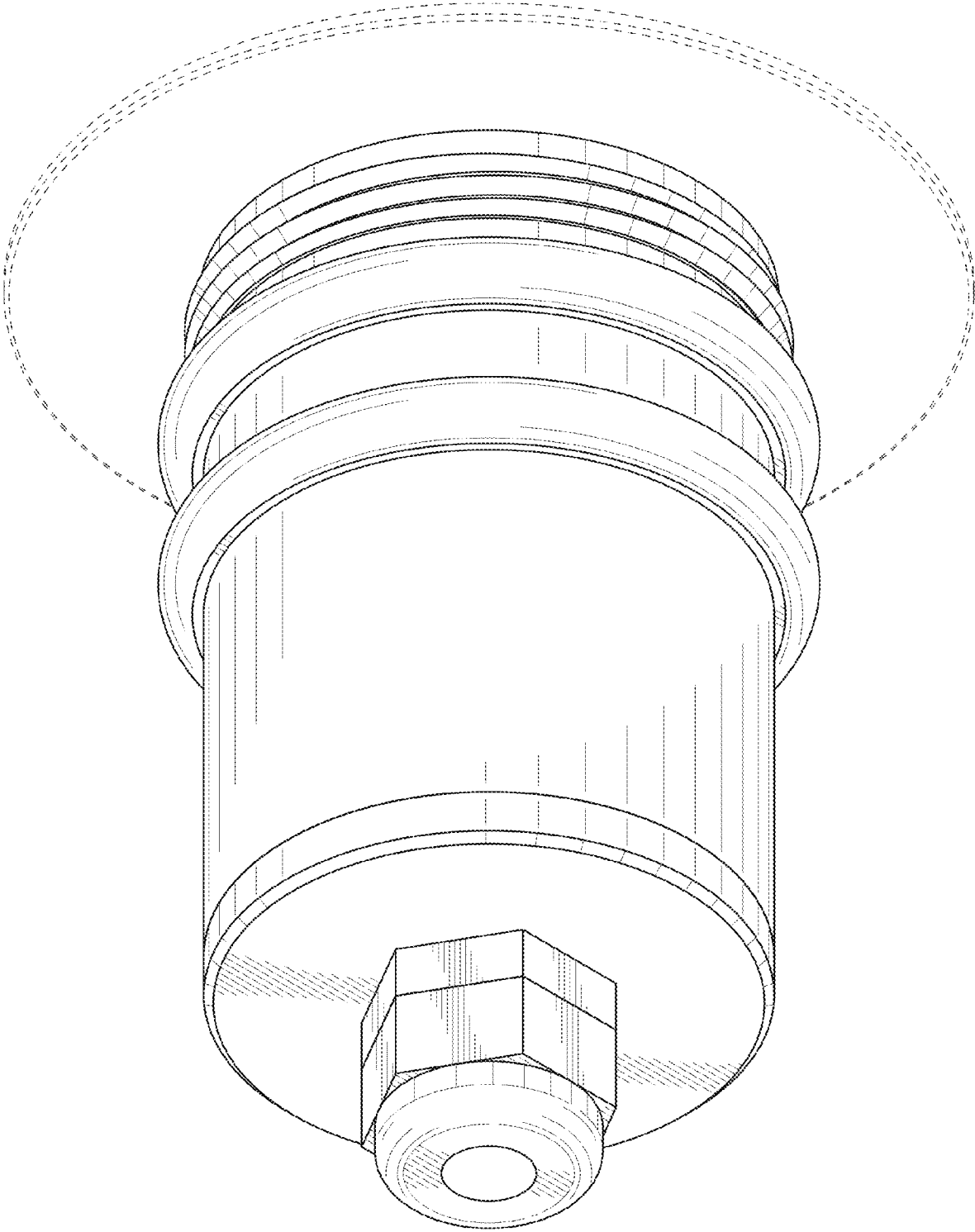


FIG. 2

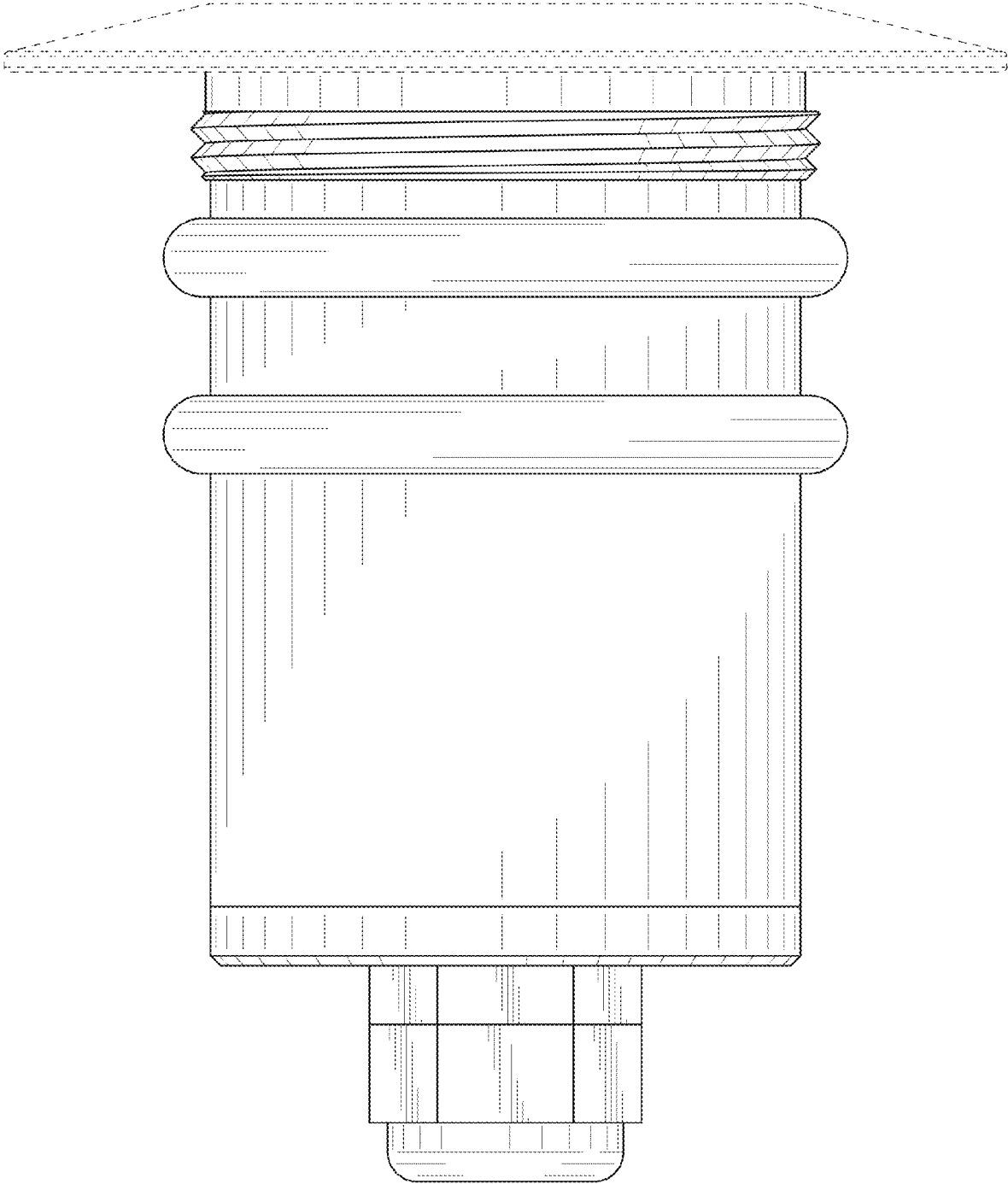


FIG. 3

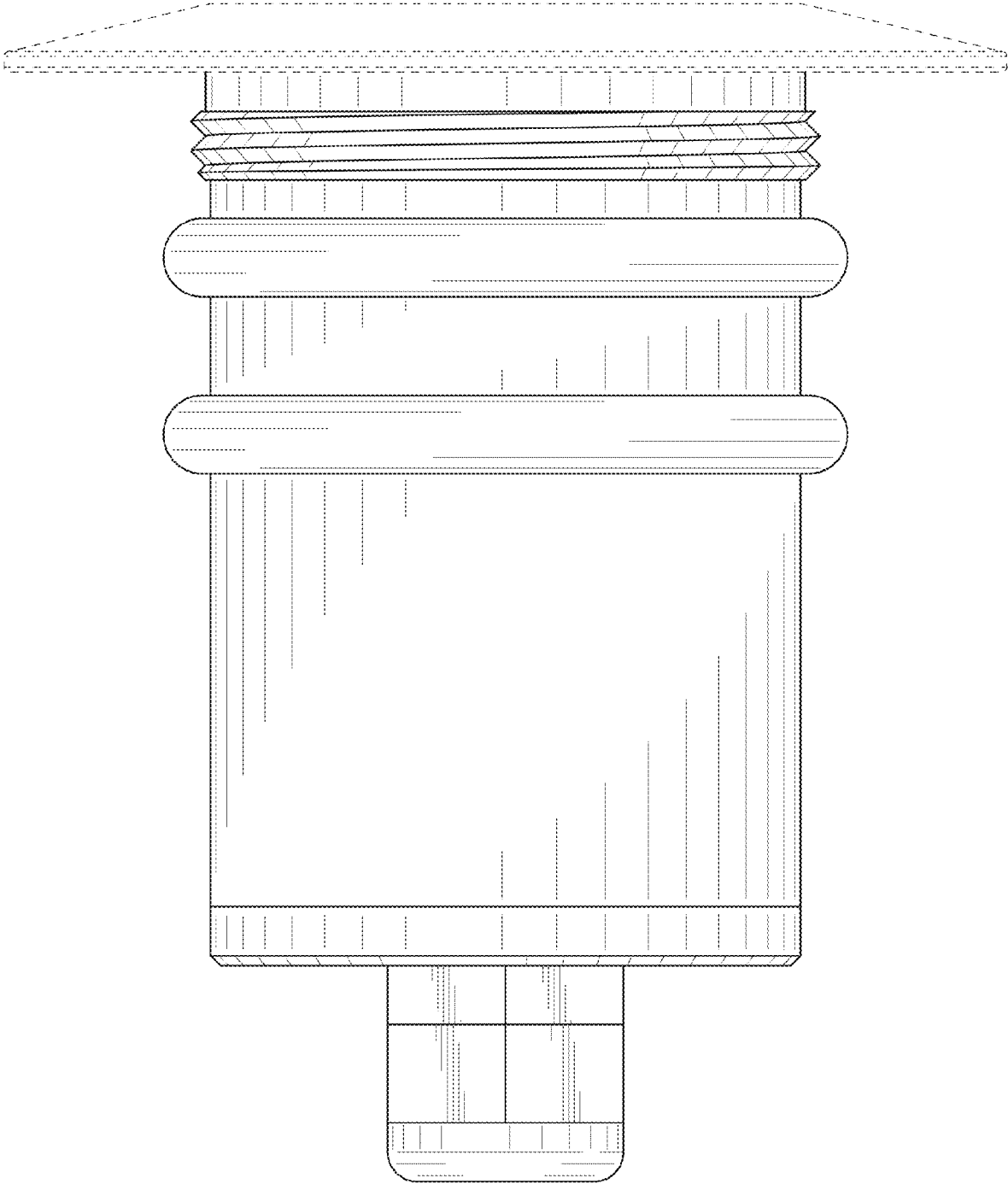


FIG. 4

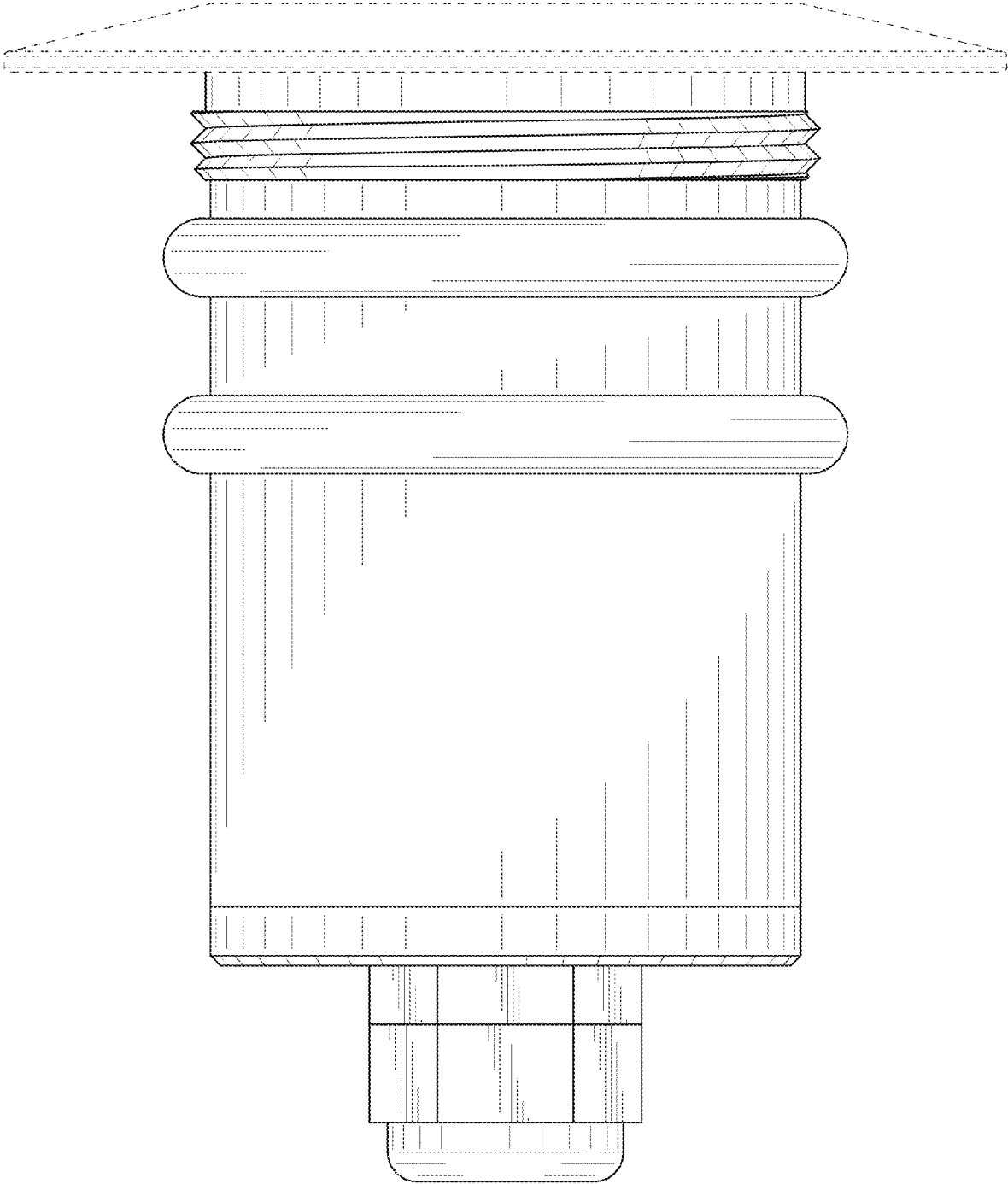


FIG. 5

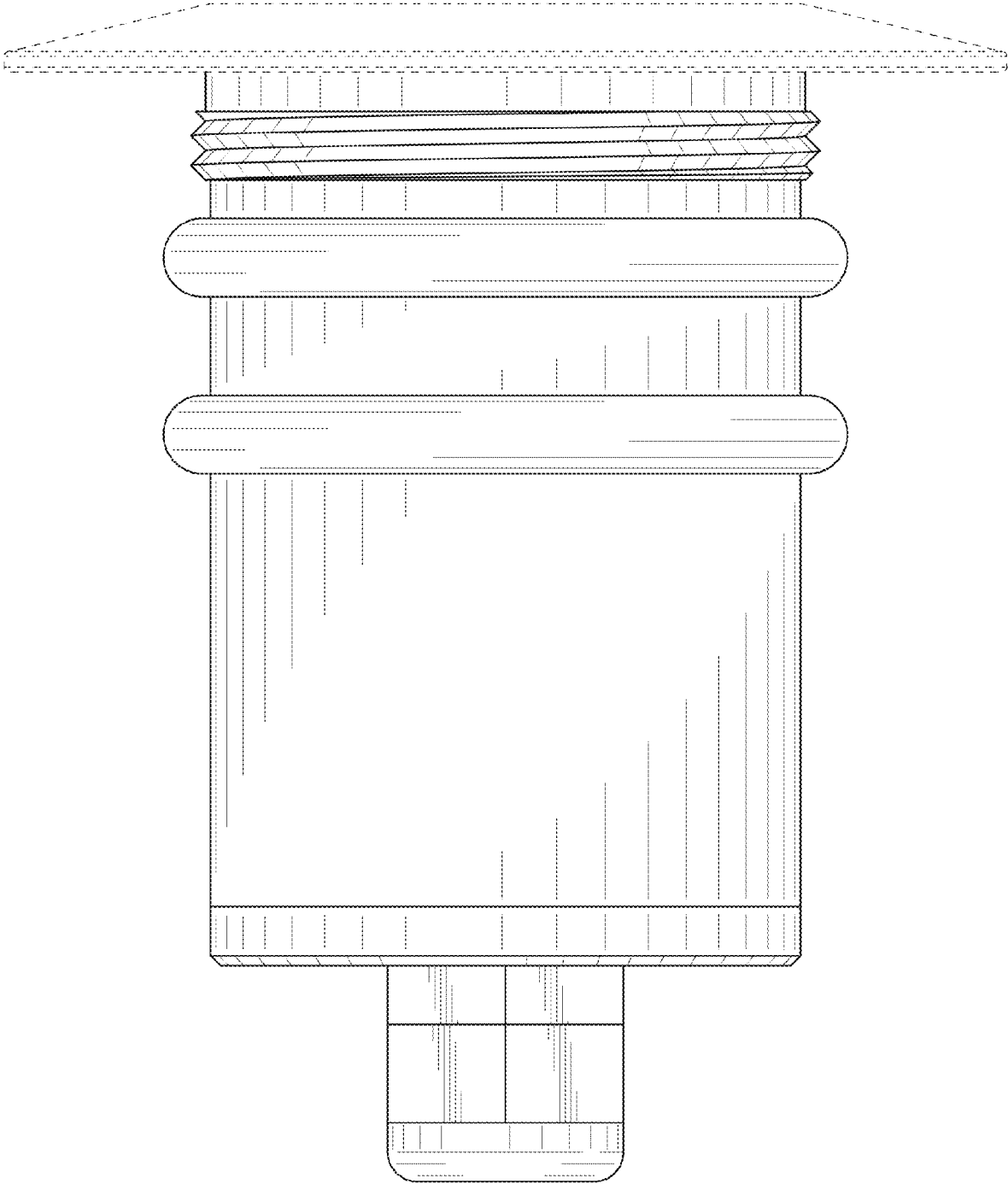


FIG. 6

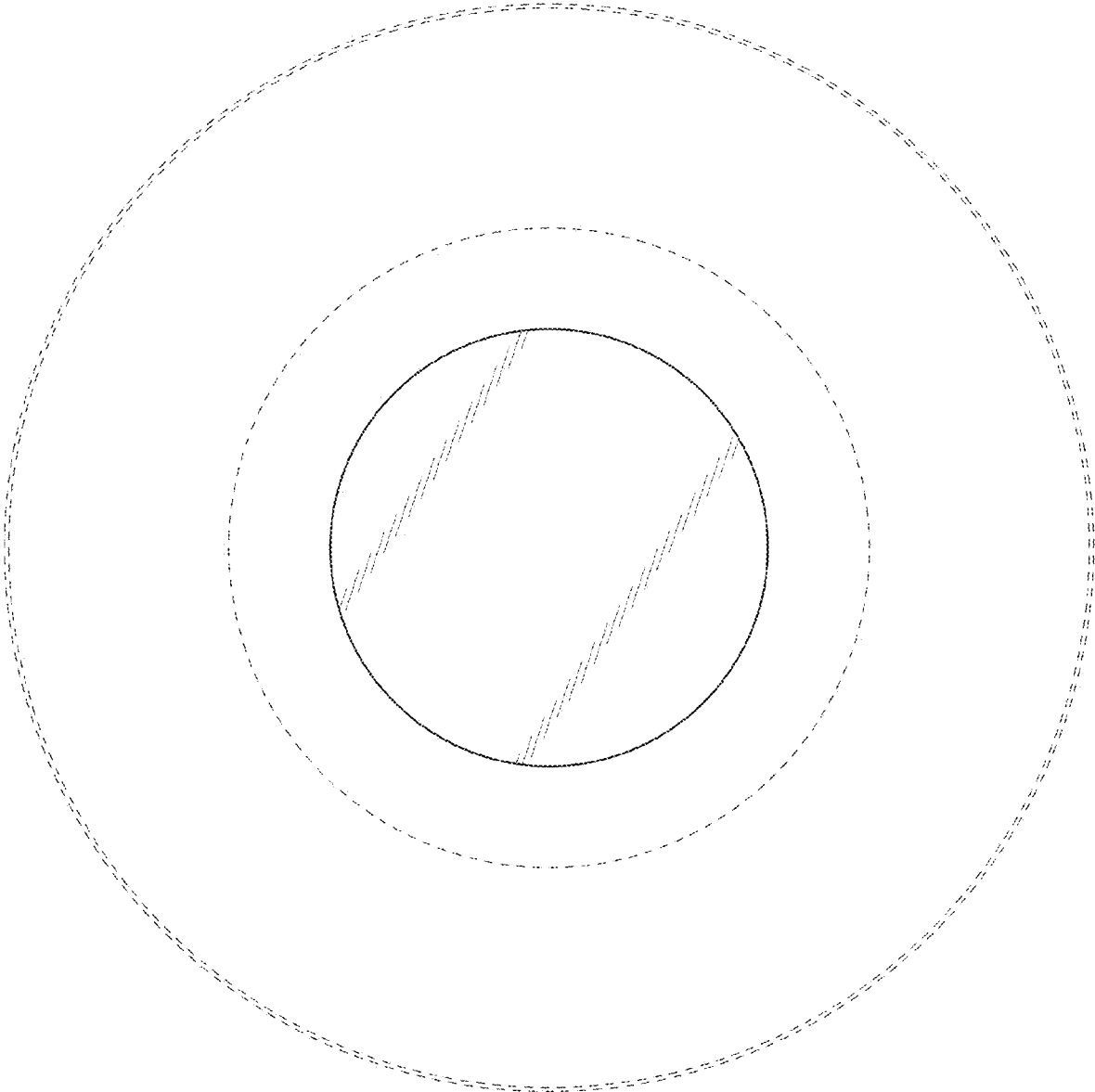


FIG. 7

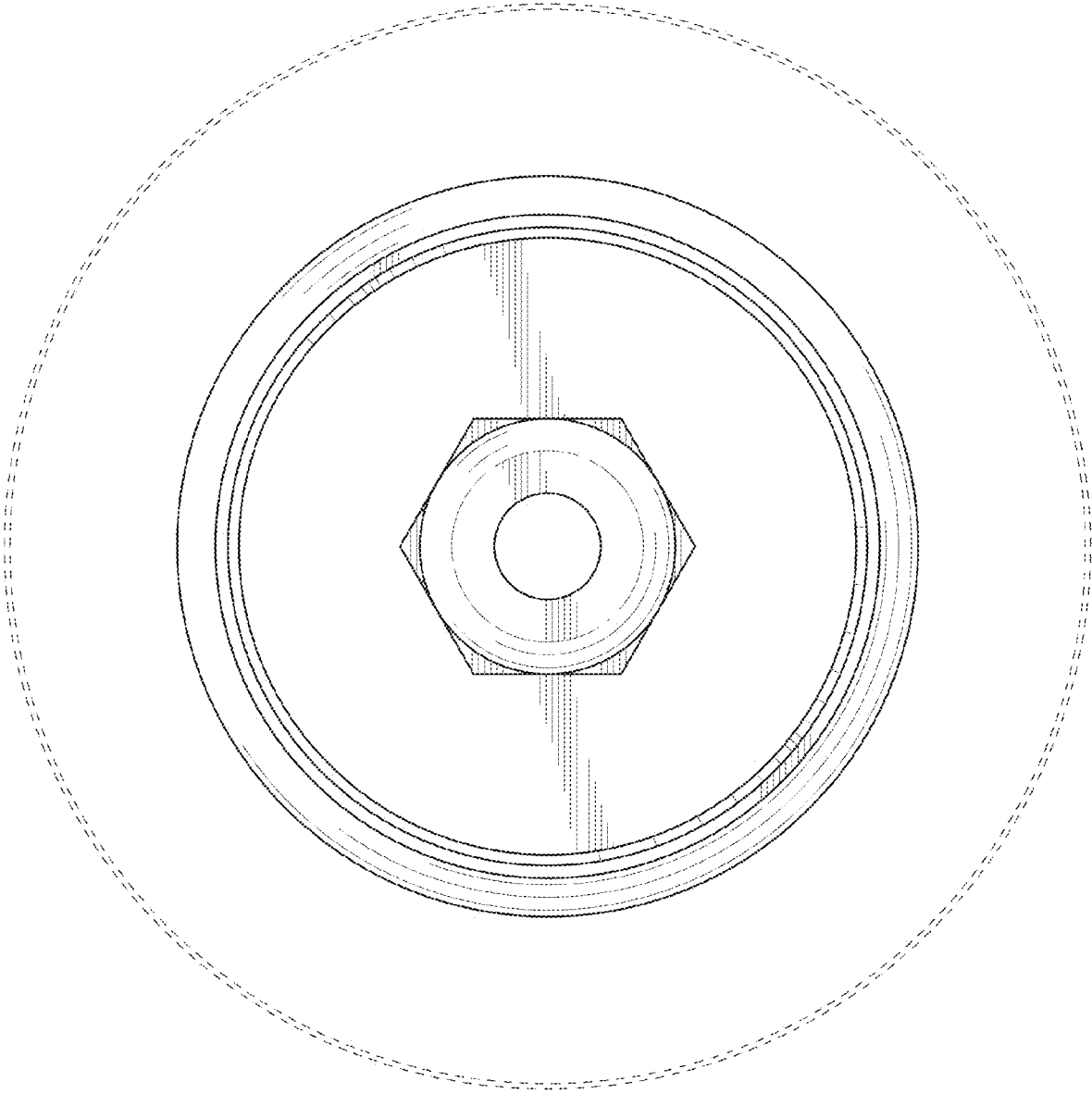


FIG. 8