

(19) World Intellectual Property Organization
International Bureau



(43) International Publication Date
22 September 2011 (22.09.2011)

(10) International Publication Number
WO 2011/114116 A3

- (51) **International Patent Classification:**
G06T 15/00 (2011.01) *G06F 9/38* (2006.01)
- (21) **International Application Number:**
PCT/GB2011/000389
- (22) **International Filing Date:**
18 March 2011 (18.03.2011)
- (25) **Filing Language:** English
- (26) **Publication Language:** English
- (30) **Priority Data:**
1004673.8 19 March 2010 (19.03.2010) GB
1013856.8 18 August 2010 (18.08.2010) GB
- (71) **Applicant (for all designated States except US):** IMAGINATION TECHNOLOGIES LIMITED [GB/GB]; Home Park Estate, Kings Langley, Herts WD4 8LZ (GB).
- (72) **Inventor; and**
- (75) **Inventor/Applicant (for US only):** REDSHAW, Jonathan [GB/GB]; 3 Rodney Avenue, St Albans, Hertfordshire AL1 5SY (GB).
- (74) **Agent:** ROBSON, Aidan, John; Reddie & Grose, 16 Theobalds Road, London WC1X 8PL (GB).
- (81) **Designated States (unless otherwise indicated, for every kind of national protection available):** AE, AG, AL, AM, AO, AT, AU, AZ, BA, BB, BG, BH, BR, BW, BY, BZ,

CA, CH, CL, CN, CO, CR, CU, CZ, DE, DK, DM, DO, DZ, EC, EE, EG, ES, FI, GB, GD, GE, GH, GM, GT, HN, HR, HU, ID, IL, IN, IS, JP, KE, KG, KM, KN, KP, KR, KZ, LA, LC, LK, LR, LS, LT, LU, LY, MA, MD, ME, MG, MK, MN, MW, MX, MY, MZ, NA, NG, NI, NO, NZ, OM, PE, PG, PH, PL, PT, RO, RS, RU, SC, SD, SE, SG, SK, SL, SM, ST, SV, SY, TH, TJ, TM, TN, TR, TT, TZ, UA, UG, US, UZ, VC, VN, ZA, ZM, ZW.

- (84) **Designated States (unless otherwise indicated, for every kind of regional protection available):** ARIPO (BW, GH, GM, KE, LR, LS, MW, MZ, NA, SD, SL, SZ, TZ, UG, ZM, ZW), Eurasian (AM, AZ, BY, KG, KZ, MD, RU, TJ, TM), European (AL, AT, BE, BG, CH, CY, CZ, DE, DK, EE, ES, FI, FR, GB, GR, HR, HU, IE, IS, IT, LT, LU, LV, MC, MK, MT, NL, NO, PL, PT, RO, RS, SE, SI, SK, SM, TR), OAPI (BF, BJ, CF, CG, CI, CM, GA, GN, GQ, GW, ML, MR, NE, SN, TD, TG).

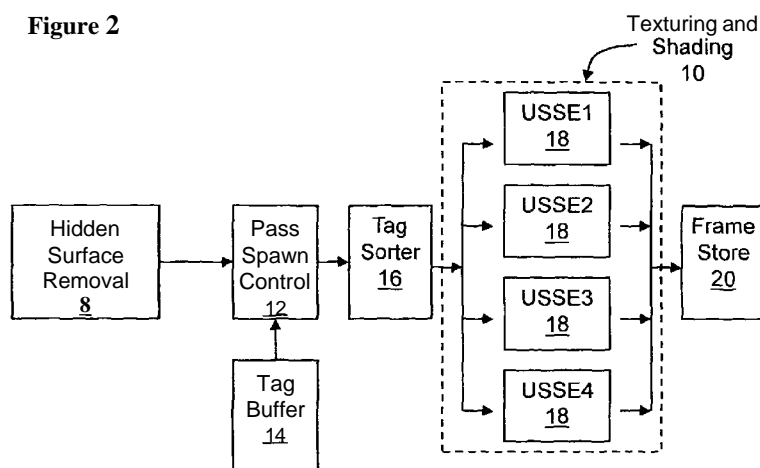
Published:

- with international search report (Art. 21(3))
- before the expiration of the time limit for amending the claims and to be republished in the event of receipt of amendments (Rule 48.2(h))

- (88) **Date of publication of the international search report:**
10 November 2011

(54) **Title:** PROCESSING OF 3D COMPUTER GRAPHICS DATA ON MULTIPLE SHADING ENGINES

Figure 2



(57) **Abstract:** There is provided a method for texturing and shading a 3D computer graphic image on a plurality of shading engines. First, the image is subdivided into a plurality of tiles and each tile is subdivided into a plurality of micro tiles. An object list is allocated to each tile, the object list containing data defining objects visible in the tile. For one micro tile, it is determined which pixels in the micro tile are intersected by an object A in the object list and it is determined which pixels in the micro tile are intersected by at least one other object in the object list. In parallel with the determination step, pixel intersection data is outputted for an object B for which all intersection determinations for each of the micro tiles in a selected tile have been performed. The pixel intersection data is output to at least one of the plurality of shading engines. Then, those steps are repeated for each micro tile in the selected tile in which there are visible objects. The pixels corresponding to the pixel intersection data for the object B are textured and shaded with the at least one of the plurality of shading engines. Finally, the data derived by the texturing and shading is stored.



WO 2011/114116 A3

INTERNATIONAL SEARCH REPORT

International application No
PCT/GB2011/000389

A. CLASSIFICATION OF SUBJECT MATTER
INV. G06T15/00
ADD. G06F9/38

According to International Patent Classification (IPC) or to both national classification and IPC

B. FIELDS SEARCHED

Minimum documentation searched (classification system followed by classification symbols)
G06T G06F

Documentation searched other than minimum documentation to the extent that such documents are included in the fields searched

Electronic data base consulted during the international search (name of data base and, where practical, search terms used)
EPO-Internal , BIOSIS, COMPENDEX, INSPEC, WPI Data

C. DOCUMENTS CONSIDERED TO BE RELEVANT

Category*	Citation of document, with indication, where appropriate, of the relevant passages	Relevant to claim No.
X	GB 2 430 513 A (IMAGINATION TECH LTD [GB]) 28 March 2007 (2007-03-28) figures 2, 3, 5, 6, 8, 9 page 9, last paragraph - page 10, first paragraph page 10, lower half page 13, first paragraph page 13, last paragraph - page 14 -----	1-13
A	GB 2 298 111 A (VIDEOLOGIC LTD [GB] VIDEOLOGIC LTD [GB] ; IMAGINATION TECHNOLOGIES LIM I) 21 August 1996 (1996-08-21) cited in the applicati on abstract figures 7, 8, 9, 11 page 7 - page 8 page 9, line 10 - line 21 ----- -/- .	1-13

Further documents are listed in the continuation of Box C.

See patent family annex.

* Special categories of cited documents :

- "A" document defining the general state of the art which is not considered to be of particular relevance
- "E" earlier document but published on or after the international filing date
- "L" document which may throw doubts on priority claim(s) or which is cited to establish the publication date of another citation or other special reason (as specified)
- "O" document referring to an oral disclosure, use, exhibition or other means
- "P" document published prior to the international filing date but later than the priority date claimed

- "T" later document published after the international filing date or priority date and not in conflict with the application but cited to understand the principle or theory underlying the invention
- "X" document of particular relevance; the claimed invention cannot be considered novel or cannot be considered to involve an inventive step when the document is taken alone
- "Y" document of particular relevance; the claimed invention cannot be considered to involve an inventive step when the document is combined with one or more other such documents, such combination being obvious to a person skilled in the art.
- "&" document member of the same patent family

Date of the actual completion of the international search 31 August 2011	Date of mailing of the international search report 08/09/2011
--	---

Name and mailing address of the ISA/ European Patent Office, P.B. 5818 Patentlaan 2 NL - 2280 HV Rijswijk Tel. (+31-70) 340-2040, Fax: (+31-70) 340-3016	Authorized officer Vol Imann , Karl
--	---

INTERNATIONAL SEARCH REPORT

International application No
PCT/GB2011/000389

C(Continuation). DOCUMENTS CONSIDERED TO BE RELEVANT		
Category*	Citation of document, with indication, where appropriate, of the relevant passages	Relevant to claim No.
A	<p>Holten- Lund, H.: "An Applicati on Specific Reconfigurabl e Graphi cs Processor" , , 13 June 2003 (2003-06-13) , page 1-27 , XP000002657910, Retri eved from the Internet: URL:www2 .imm.dtu.dk/vi si ondag/VD03/graf i sk /Vi si onday-hahl 2.ppt [retri eved on 2011-08-25] page 13 - page 15 -----</p>	1-13

INTERNATIONAL SEARCH REPORT

Information on patent family members

International application No

PCT/GB2011/000389

Patent document cited in search report	Publication date	Patent family member(s)	Publication date
GB 2430513	A	28-03-2007	
		EP 1932077 A2	18-06-2008
		Wo 2007034232 A2	29-03-2007
		JP 2009512917 A	26-03-2009
		US 2007101013 A1	03-05-2007

GB 2298111	A	21-08-1996	
		DE 69609534 D1	07-09-2000
		DE 69609534 T2	07-12-2000
		EP 0725367 A1	07-08-1996
		ES 2150071 T3	16-11-2000
		GB 2336982 A	03-11-1999
		GB 2336983 A	03-11-1999
		JP 8255262 A	01-10-1996
