



US0D1001003S

(12) **United States Design Patent**
Breen

(10) **Patent No.:** **US D1,001,003 S**

(45) **Date of Patent:** **** Oct. 10, 2023**

(54) **FLOWER HOLDER**

(71) Applicant: **HUXLI (PTY) LTD**, Sandton (ZA)

(72) Inventor: **Bridget Claire Breen**, Sandton (ZA)

(73) Assignee: **HUXLI (PTY) LTD**, Sandton (ZA)

(**) Term: **15 Years**

(21) Appl. No.: **29/788,833**

(22) Filed: **Aug. 3, 2021**

(30) **Foreign Application Priority Data**

Feb. 9, 2021 (ZA) F2021/00107

(51) **LOC (14) Cl.** **11-02**

(52) **U.S. Cl.** **D11/147**

(58) **Field of Classification Search**

USPC D11/143, 145, 152, 153, 154, 155, 146,
D11/147; D6/403, 556; D7/667;
D19/102, 105, 107

CPC . A01G 9/02; A01G 9/04; A01G 9/021; A01G
9/042; A01G 9/0291; A01G 9/12; A01G
9/124; A01G 9/126; A47G 7/00; A47G
7/02; A47G 7/04; A47G 7/06; A47G
7/08; A47G 7/03; A47G 7/07; A47J 19/00

See application file for complete search history.

(56) **References Cited**

U.S. PATENT DOCUMENTS

D92,934 S * 7/1934 Spencer D11/147
1,965,565 A * 7/1934 Bartlett A47G 7/07
47/41.13
3,711,048 A * 1/1973 Thalenfeld A47F 7/0078
D6/556
D259,870 S * 7/1981 Marantette D11/143
4,686,611 A * 8/1987 Von Kohorn F21V 7/0008
362/290

D297,823 S * 9/1988 Littlefield D11/147
D373,291 S * 9/1996 Auker D8/1
D559,051 S * 1/2008 Fleece A47G 7/07
D8/1
D746,647 S * 1/2016 Roaks F21V 7/0008
D7/667
D850,322 S * 6/2019 Harshman A47G 7/07
D11/143
D852,088 S * 6/2019 Harshman A47G 7/07
D11/143
10,464,028 B2 * 11/2019 Roaks A61J 11/04
D963,515 S * 9/2022 Johnson A01M 1/106
D11/143
11,653,776 B2 * 5/2023 Woods A47G 7/06
47/41.13

(Continued)

OTHER PUBLICATIONS

Vase Buddy. Online [website]. Instagram, posted online by user @vasebuddy on Oct. 27, 2020, [retrieved on Jan. 23, 2023]. Retrieved from the internet: <<https://www.instagram.com/p/CG1800TDQdS/>>. (Year: 2020).*

(Continued)

Primary Examiner — Kathleen L Jones

Assistant Examiner — Grace Doyle

(74) *Attorney, Agent, or Firm* — Tutunjian & Bitetto, P.C.

(57) **CLAIM**

The ornamental design for a flower holder, as shown and described.

DESCRIPTION

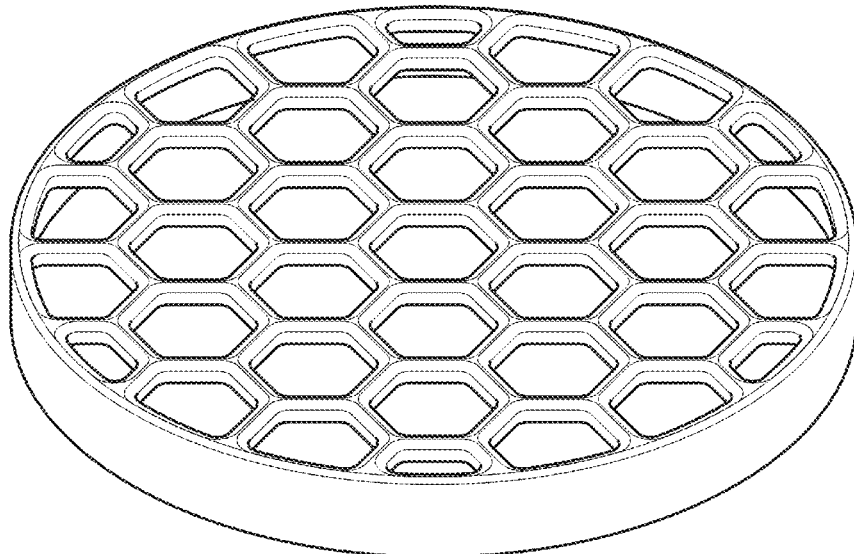
FIG. 1 is a top perspective view of the flower holder showing my new design;

FIG. 2 is a top view thereof;

FIG. 3 is a side view thereof, the side view being identical to the front view and the rear view; and,

FIG. 4 is bottom view thereof.

1 Claim, 3 Drawing Sheets



(56)

References Cited

U.S. PATENT DOCUMENTS

2002/0184818 A1* 12/2002 Roskin A47G 7/07
47/41.11
2006/0265951 A1* 11/2006 Foster A47G 7/07
47/41.11
2019/0335737 A1* 11/2019 Dolshun A01M 1/106
2021/0274949 A1* 9/2021 Woods A47G 7/07

OTHER PUBLICATIONS

Vase Buddy Roses. Online [website]. Instagram, posted online by user @vasebuddy on Jan. 22, 2021, [retrieved on Jan. 23, 2023]. Retrieved from the internet: <<https://www.instagram.com/p/CKWycFtpYXI/>>. (Year: 2021).*

Flower Frog Lid. Online [website]. Etsy, publication date unknown, [retrieved on Jan. 23, 2023]. Retrieved from the internet: <<https://www.etsy.com/listing/161814381/flower-frog-lid-set-of-3-mason-ball>>. (Year: 2023).*

* cited by examiner

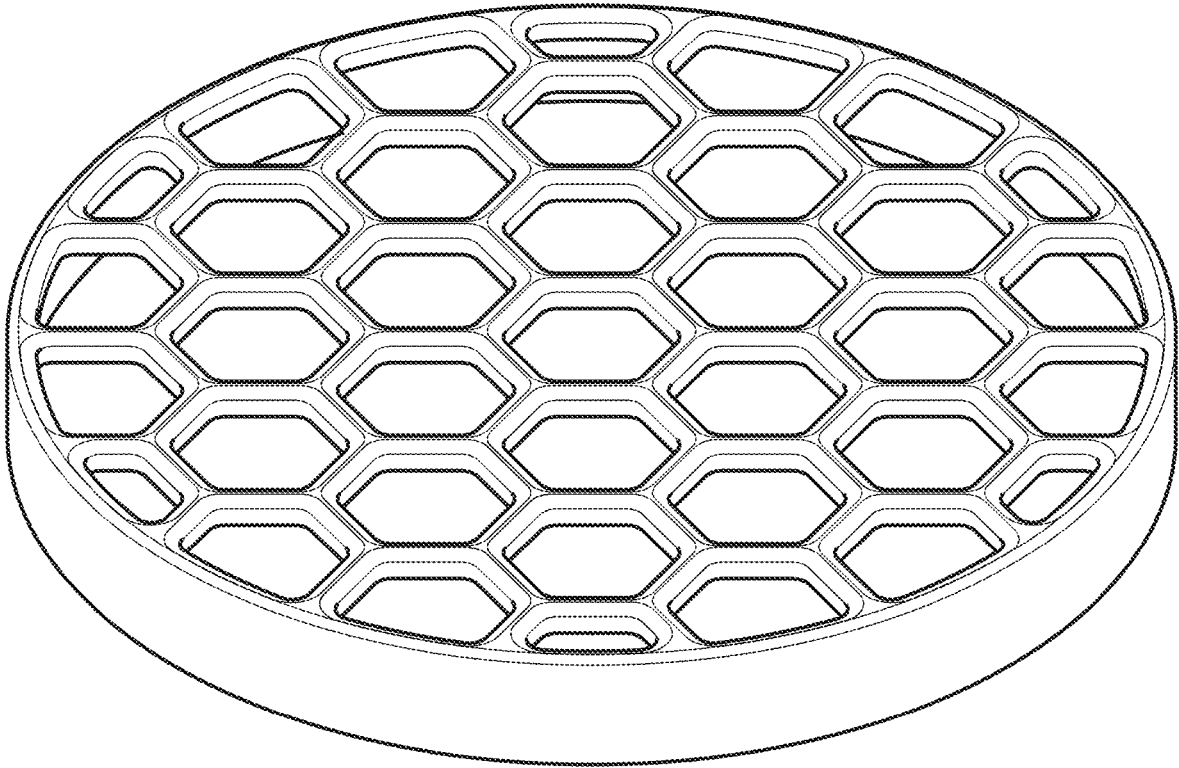


FIG. 1

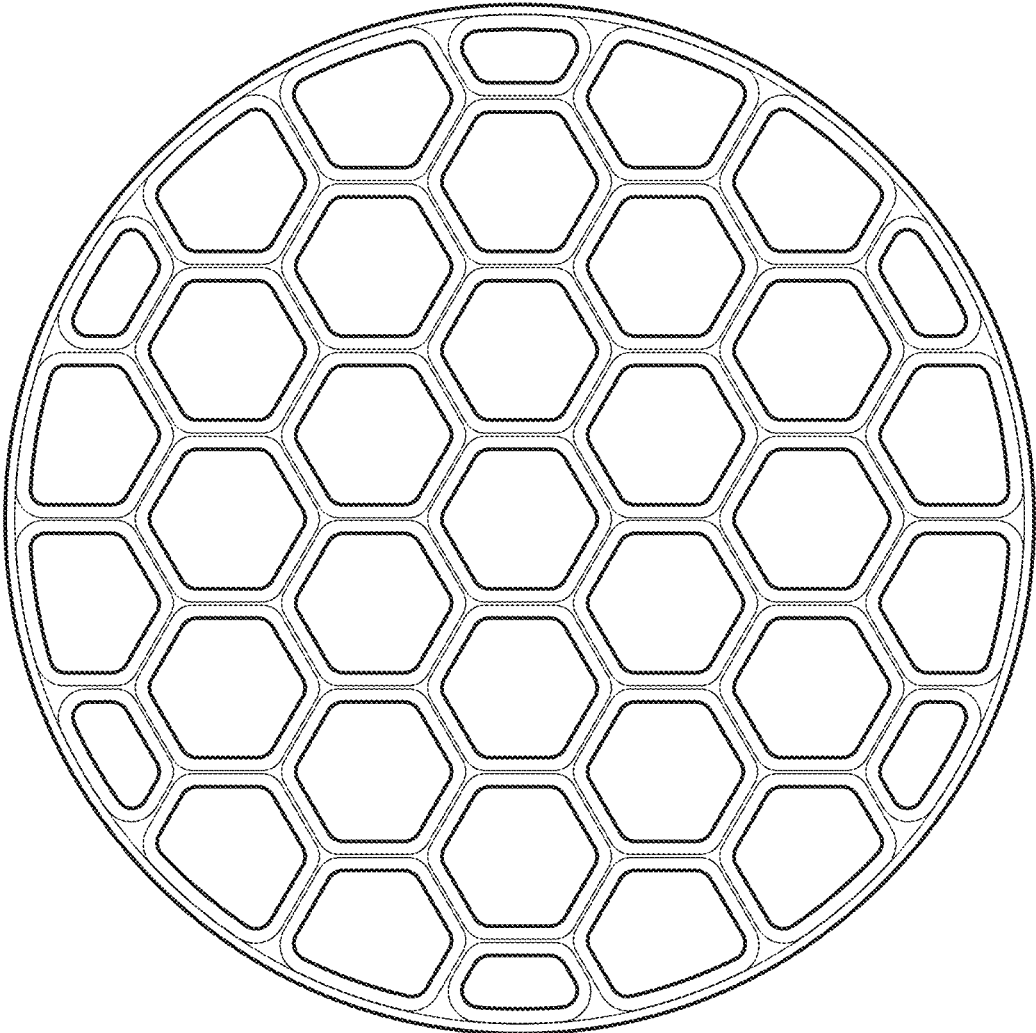


FIG. 2



FIG. 3

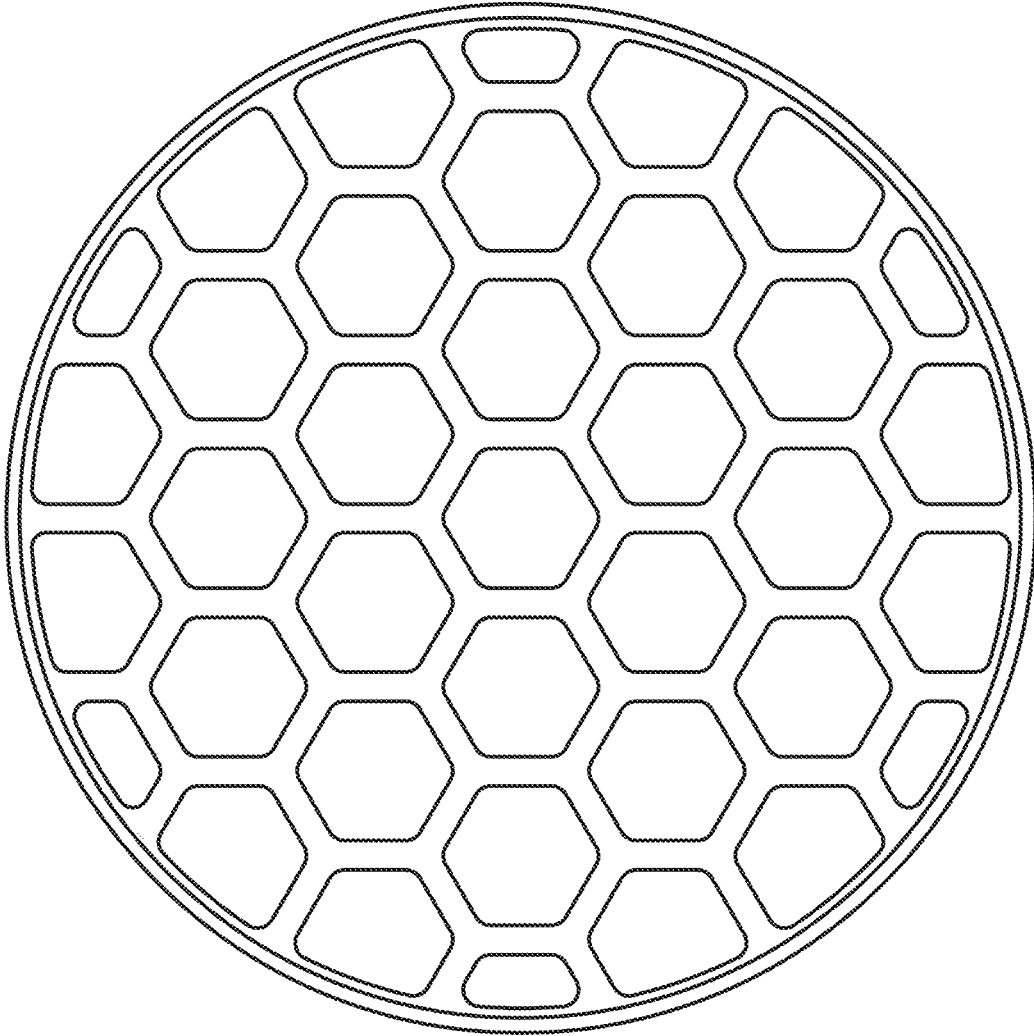


FIG. 4