



US00D744711S

(12) **United States Design Patent**
Gringer et al.

(10) **Patent No.:** **US D744,711 S**

(45) **Date of Patent:** **** Dec. 1, 2015**

(54) **STACKABLE PAINT CONTAINER WITH PIVOTABLE HANDLE**

(71) Applicant: **ALLWAY TOOLS, INC.**, Bronx, NY (US)

(72) Inventors: **Donald Gringer**, New York, NY (US);
Yuan Fang Cheng, Syosset, NY (US)

(73) Assignee: **ALLWAY TOOLS, INC.**, Bronx, NY (US)

(**) Term: **14 Years**

(21) Appl. No.: **29/507,874**

(22) Filed: **Oct. 31, 2014**

(51) **LOC (10) Cl.** **07-07**

(52) **U.S. Cl.**

USPC **D32/53.1**

(58) **Field of Classification Search**

USPC D32/53, 53.1; 15/264; 220/904;
206/515, 518, 499

CPC B44D 3/126; B65D 21/0233; B65D 37/00;
A47J 47/18

See application file for complete search history.

(56) **References Cited**

U.S. PATENT DOCUMENTS

1,196,492	A *	8/1916	Sykes	B65D 25/32
					220/755
2,606,586	A *	8/1952	Hill	B65D 21/0233
					206/518
2,803,375	A *	8/1957	Meshberg	A47G 19/23
					16/110.1
D233,218	S *	10/1974	Lynn	D32/53
4,181,226	A *	1/1980	Weinert	A47J 47/18
					206/519
D295,093	S *	4/1988	Tapdrup	D32/53
D327,555	S *	6/1992	Juergens	D32/53
5,199,571	A *	4/1993	Wolff	A47J 47/18
					206/518
D368,347	S *	3/1996	Kruger	D32/53
6,269,949	B1 *	8/2001	Gottlieb	B65D 1/265
					206/519

D460,845	S *	7/2002	Bergman	D32/53.1
6,708,838	B2	3/2004	Bergman et al.		
6,991,829	B2	1/2006	Bergman		
D608,066	S *	1/2010	Pearl	D32/53
8,087,554	B2	1/2012	Gringer et al.		
8,550,285	B2	10/2013	Bergman et al.		
8,556,116	B2	10/2013	Bergman et al.		
D697,281	S	1/2014	Bergman et al.		

OTHER PUBLICATIONS

Allway Tools, Soft Grip Tools for Hard Hat Jobs, Product Catalog, 2014.

* cited by examiner

Primary Examiner — Robin V Webster

(74) *Attorney, Agent, or Firm* — Gottlieb, Rackman & Reisman, P.C.

(57) **CLAIM**

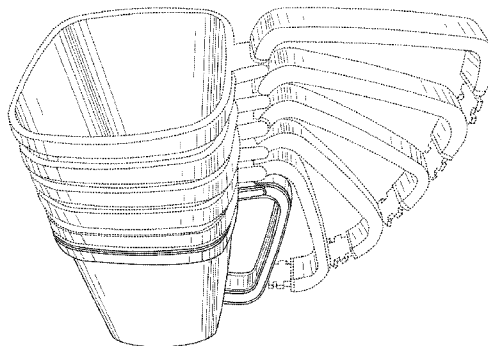
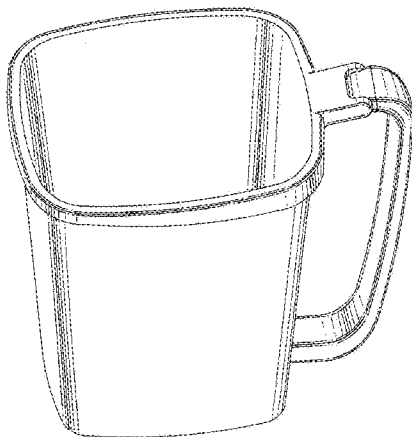
The ornamental design for a stackable paint container with pivotable handle, as shown and described.

DESCRIPTION

FIG. 1 is a top and front perspective view of a stackable paint container with pivotable handle showing our new design; FIG. 2 is a top plan view thereof; FIG. 3 is a front elevational view thereof; FIG. 4 is a left side elevational view thereof, the right side elevational view being a mirror image; FIG. 5 is a rear elevational view thereof; FIG. 6 is a bottom plan view thereof; FIG. 7 is a bottom, front and left side perspective view thereof; FIG. 8 is a perspective view of a stackable paint container showing a pivotable handle in open position; and, FIG. 9 is a perspective view of multiple paint containers of our new design stacked in each other.

The broken lines in FIG. 8 are to show the movement of the pivotable handle between closed and open positions. The broken lines are for the illustrative purpose only and form no part of the claimed design.

1 Claim, 9 Drawing Sheets



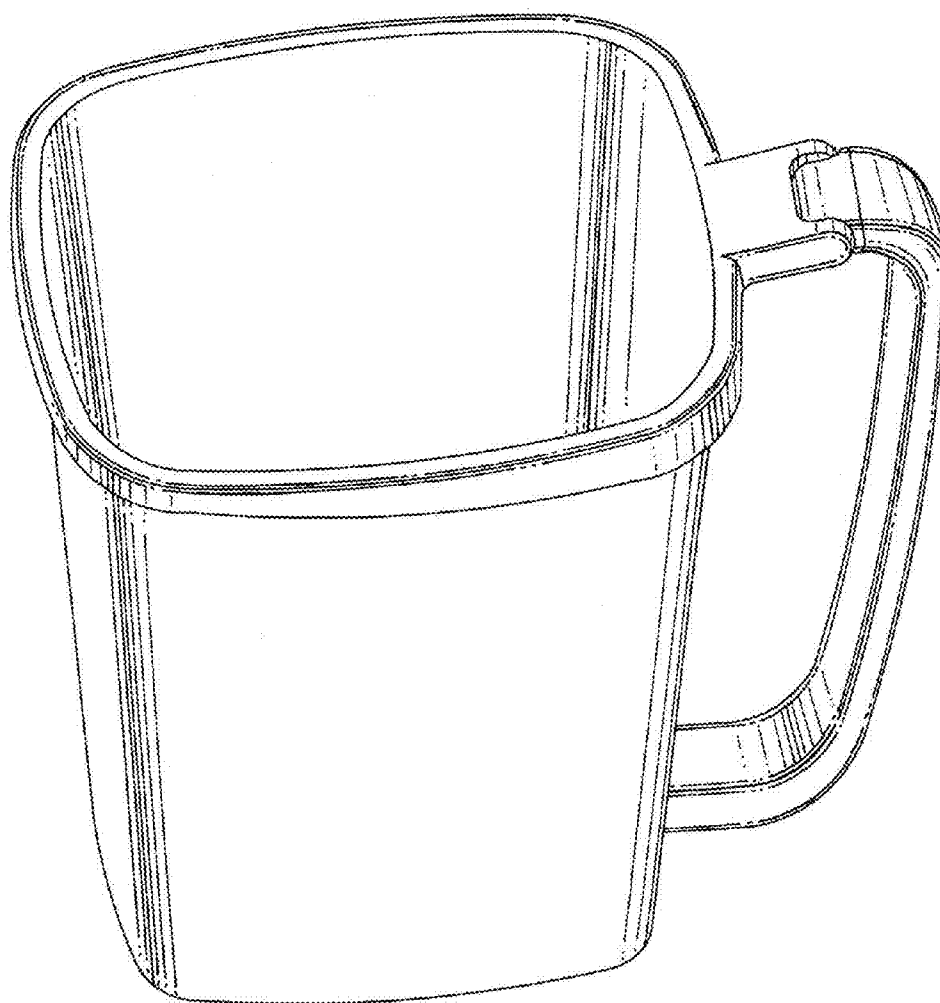


FIG. 1

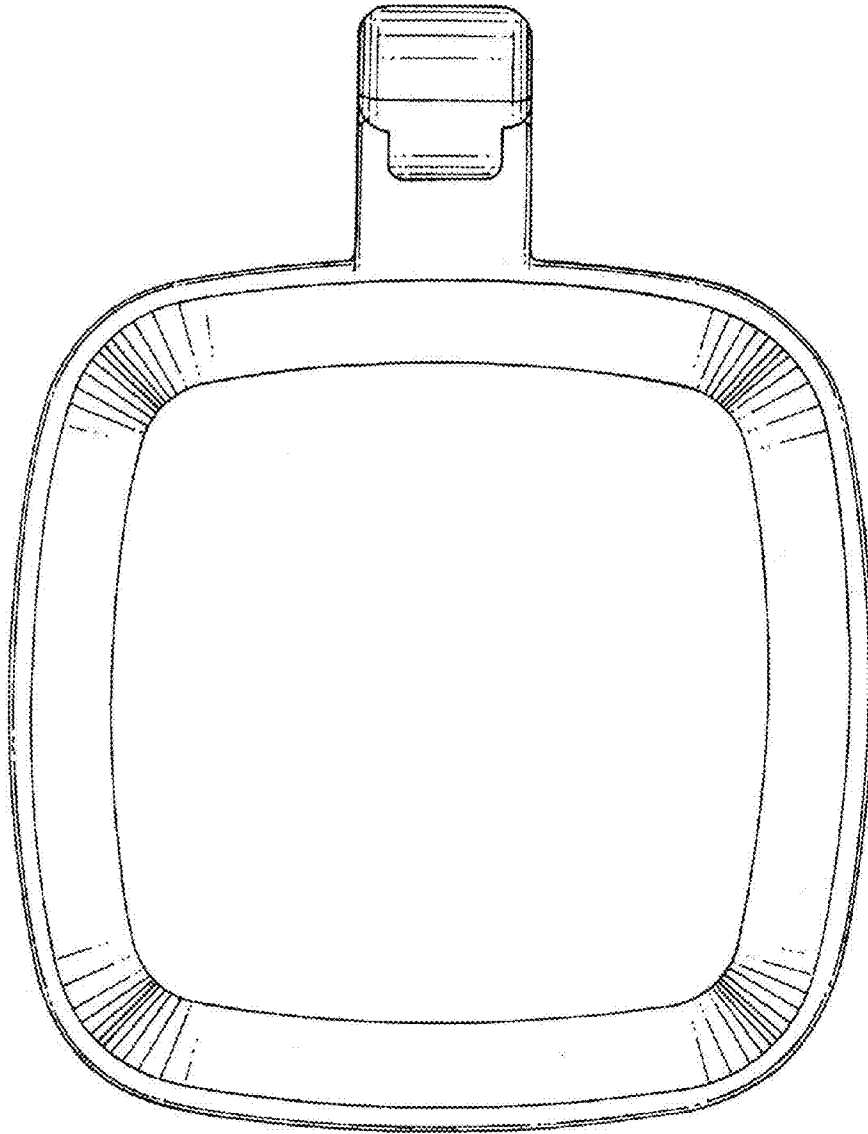


FIG. 2

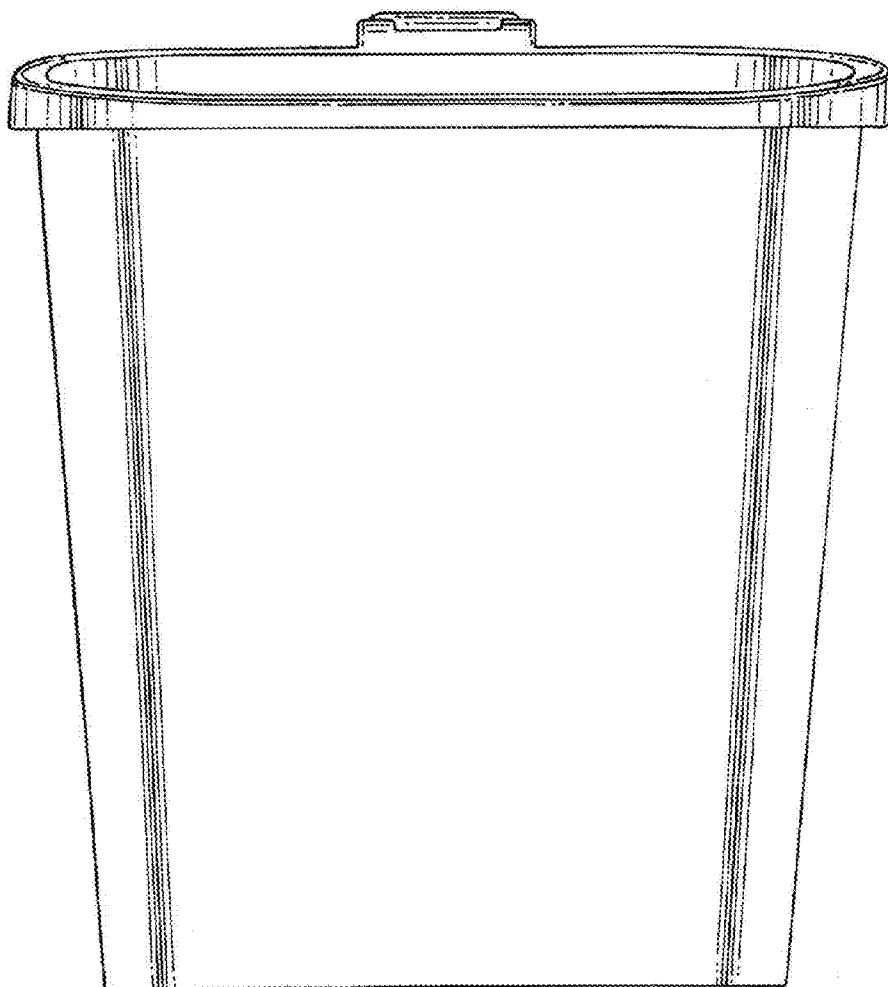
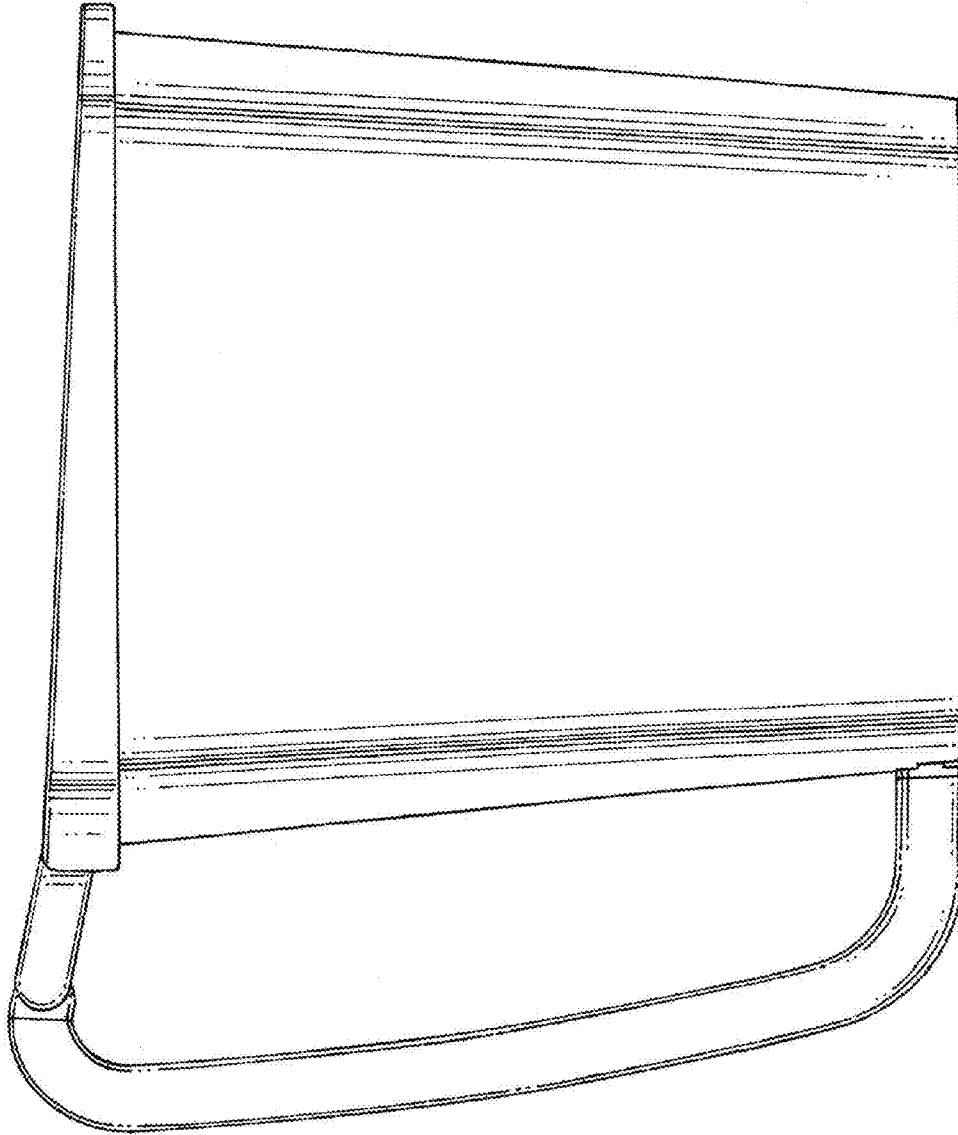


FIG. 3

FIG. 4



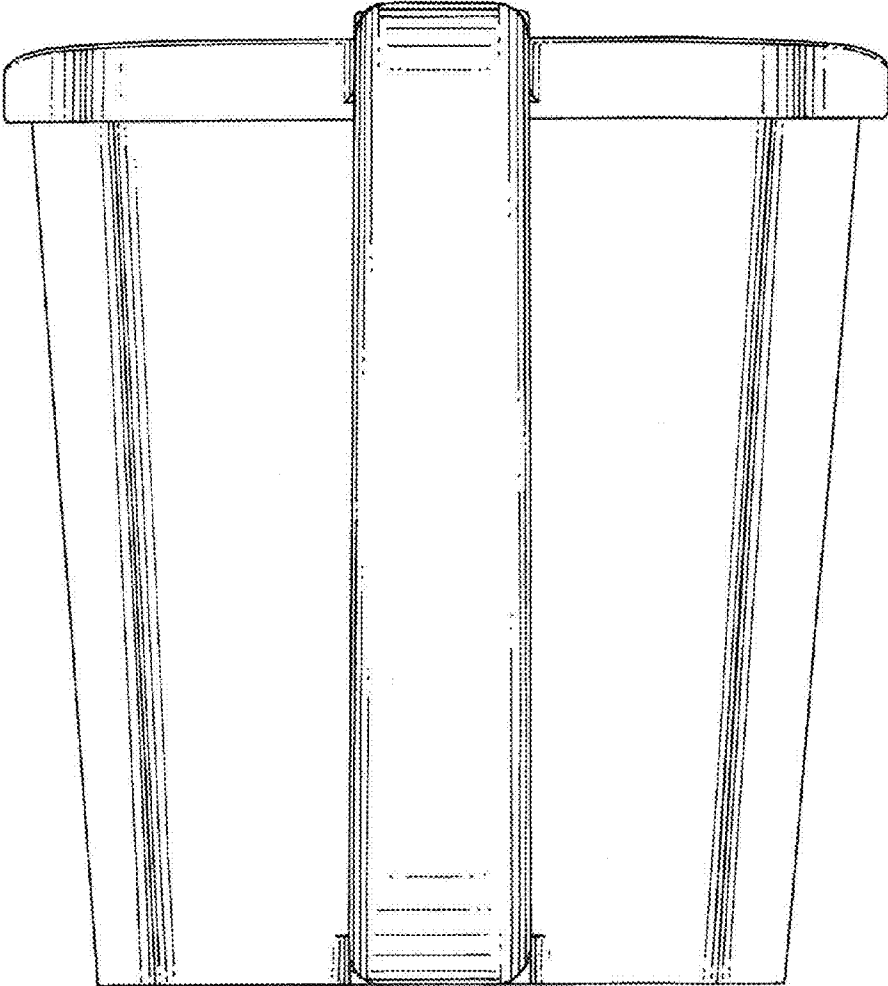


FIG. 5

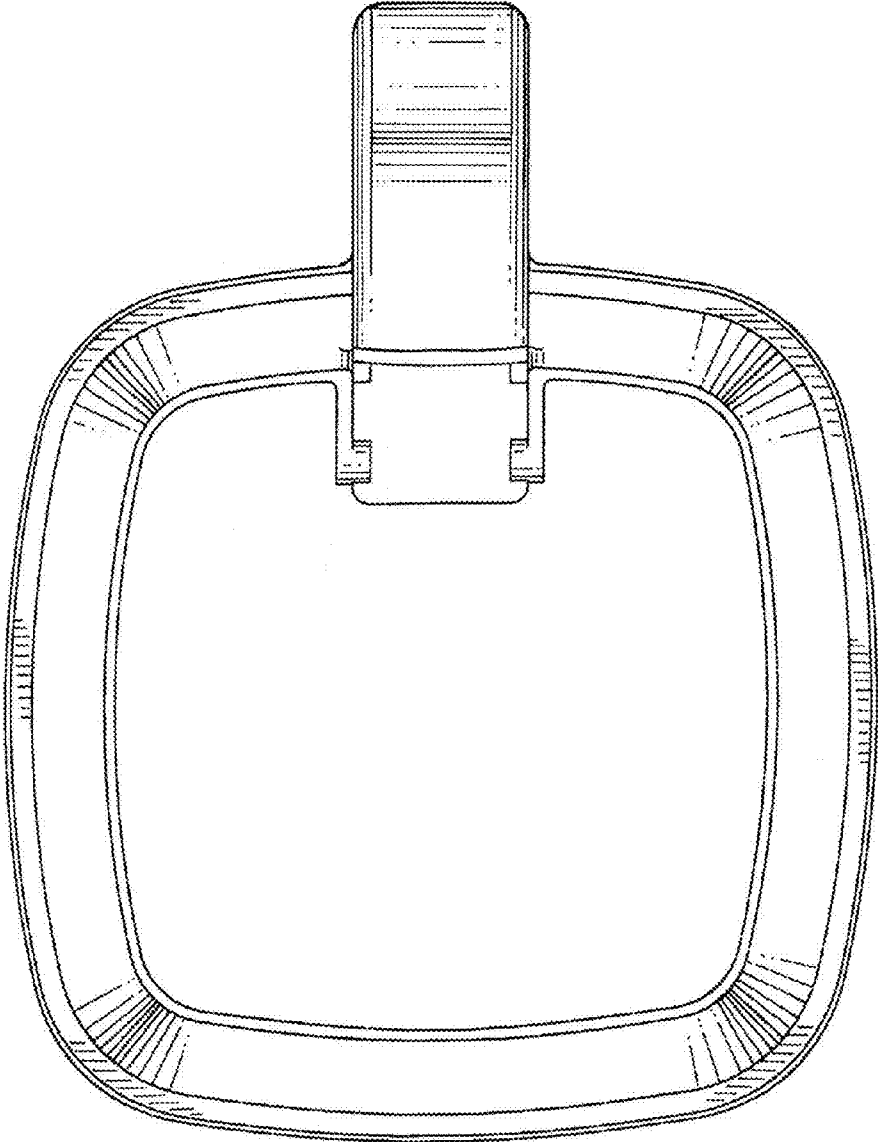


FIG. 6

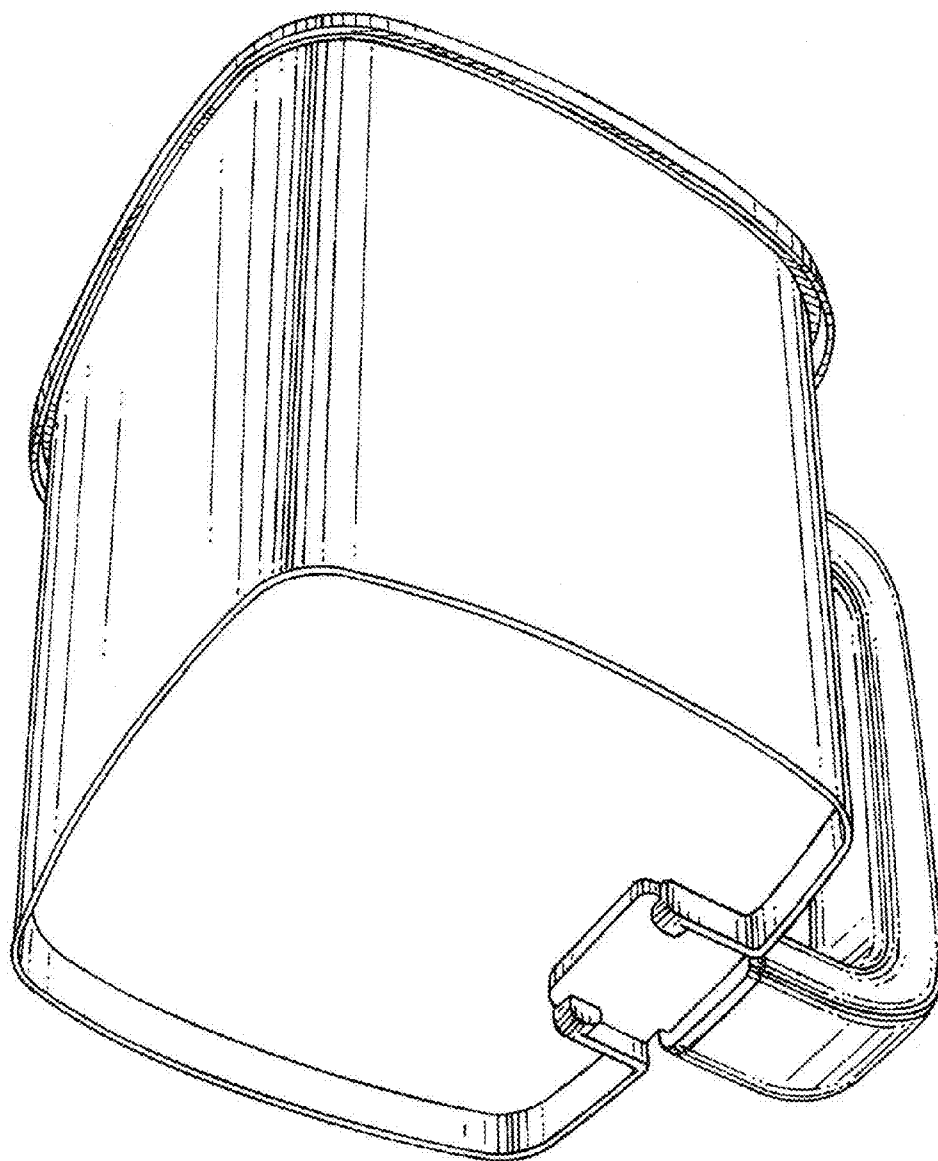


FIG. 7

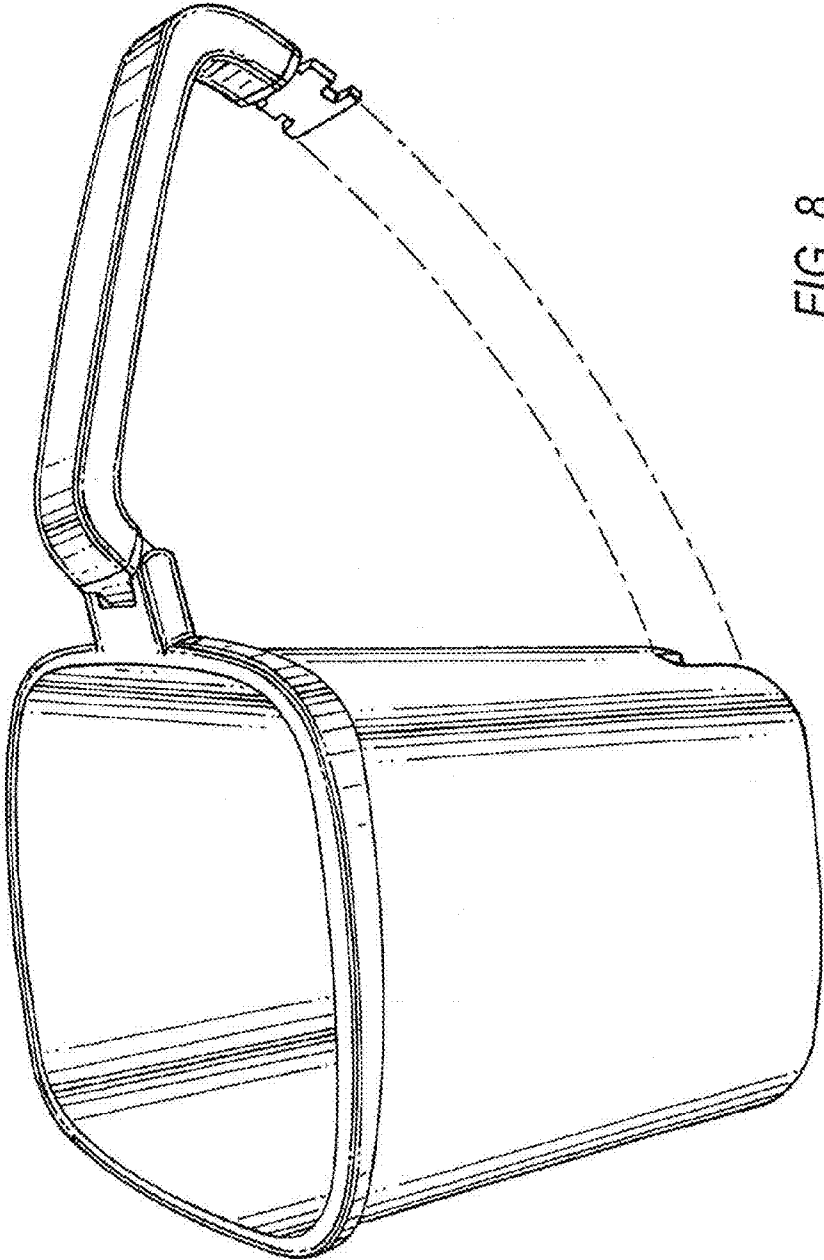


FIG. 8

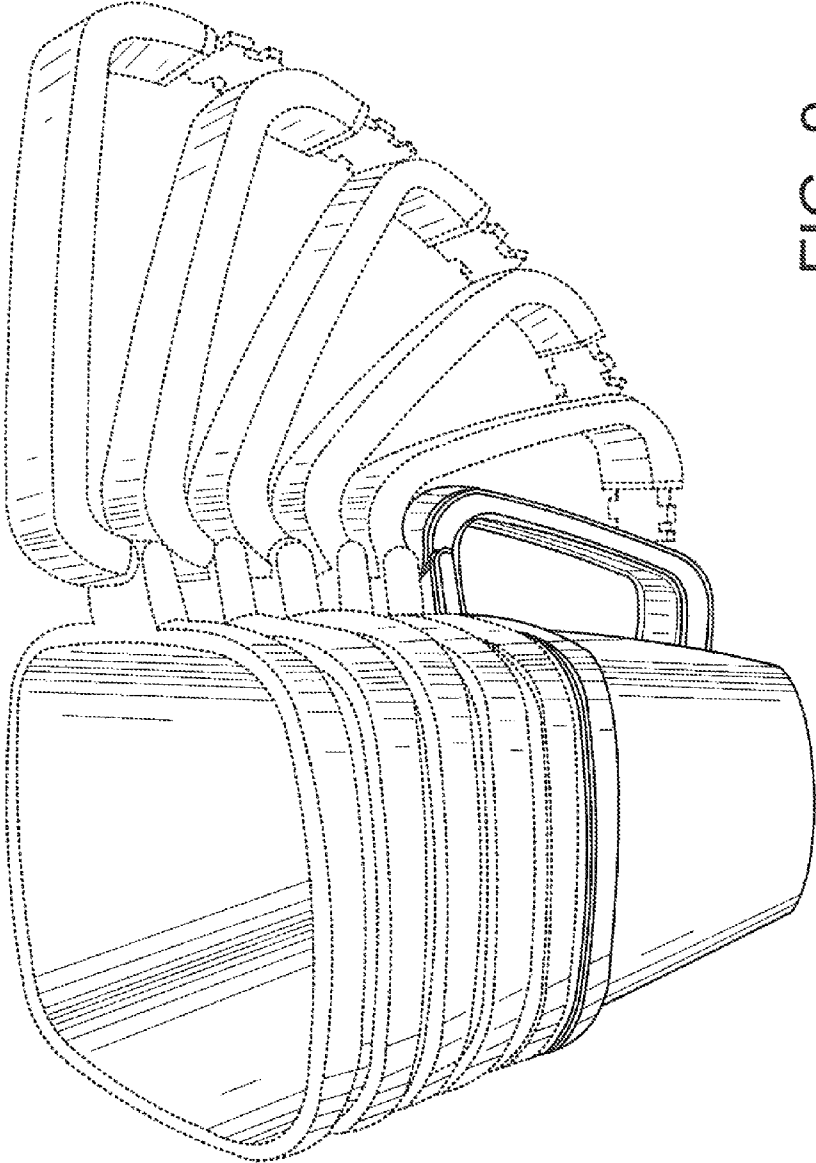


FIG. 9