



US00D706135S

(12) **United States Design Patent**
Hutchison et al.

(10) **Patent No.:** **US D706,135 S**

(45) **Date of Patent:** **** Jun. 3, 2014**

(54) **CONTAINER CAP**

(71) Applicants: **Frederick A. Hutchison**, Yorba Linda, CA (US); **Todd Duell**, San Diego, CA (US)

(72) Inventors: **Frederick A. Hutchison**, Yorba Linda, CA (US); **Todd Duell**, San Diego, CA (US)

(**) Term: **14 Years**

(21) Appl. No.: **29/448,684**

(22) Filed: **Mar. 13, 2013**

(51) **LOC (10) Cl.** **09-07**

(52) **U.S. Cl.**
USPC **D9/447**

(58) **Field of Classification Search**
CPC A61M 39/20; A61J 9/04; A61J 1/03; A61J 1/035; B65D 51/002; B65D 51/20; A61B 10/0045; A61B 17/8816; A61B 5/150351

USPC D7/392.1, 396.2; D9/417, 434, 435, D9/439, 440, 443, 446, 447, 449, 453, D9/454; D24/121; 215/235, 236, 307, 311; 222/212, 484, 556; 285/332.2; 604/246

See application file for complete search history.

(56) **References Cited**

U.S. PATENT DOCUMENTS

D160,491 S * 10/1950 Goldman D9/443
4,715,359 A * 12/1987 Ryo 600/3
4,934,545 A * 6/1990 Pezzoli et al. 215/250

5,032,117 A * 7/1991 Motta 604/88
5,451,374 A * 9/1995 Molina
5,494,196 A * 2/1996 Tyner 222/147
D374,481 S * 10/1996 McCallister et al. D24/121
5,871,110 A * 2/1999 Grimard et al.
D423,354 S * 4/2000 Lin D9/447
D433,275 S * 11/2000 Betras D7/392.1
D435,194 S * 12/2000 Betras D7/511
6,382,442 B1 5/2002 Thibault et al.
6,669,681 B2 12/2003 Jepson et al.
D574,237 S * 8/2008 Yates, III D9/447
D590,255 S * 4/2009 Maxwell D9/447
D694,109 S * 11/2013 Tanner D9/453
2002/0185186 A1 12/2002 Juliar et al.
2012/0191037 A1* 7/2012 Patel et al. 604/30

* cited by examiner

Primary Examiner — Robert M Spear

Assistant Examiner — Marissa Cash

(74) *Attorney, Agent, or Firm* — Stetina Brunda Garred & Brucker

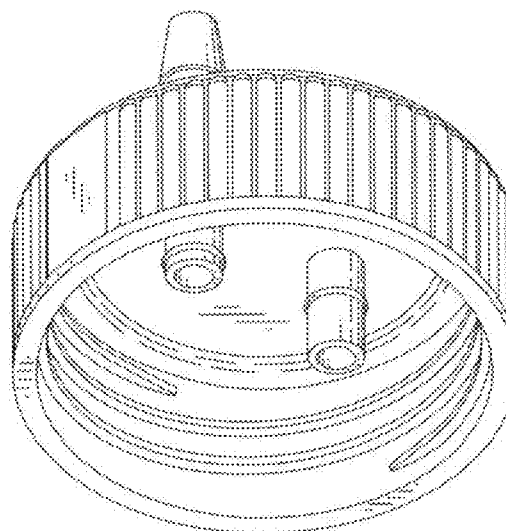
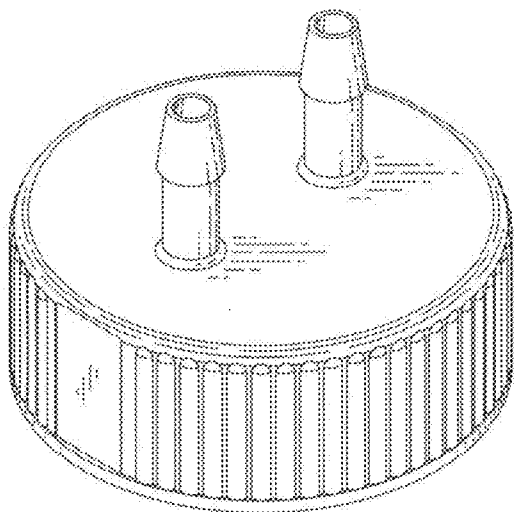
(57) **CLAIM**

The ornamental design for a container cap, as shown and described.

DESCRIPTION

FIG. 1 is a top perspective view of the container cap of the present invention showing our new design;
FIG. 2 is a bottom perspective view thereof;
FIG. 3 is a top plan view thereof;
FIG. 4 is a front elevational view thereof;
FIG. 5 is a rear elevational view thereof; and,
FIG. 6 is a bottom plan view thereof.

1 Claim, 2 Drawing Sheets



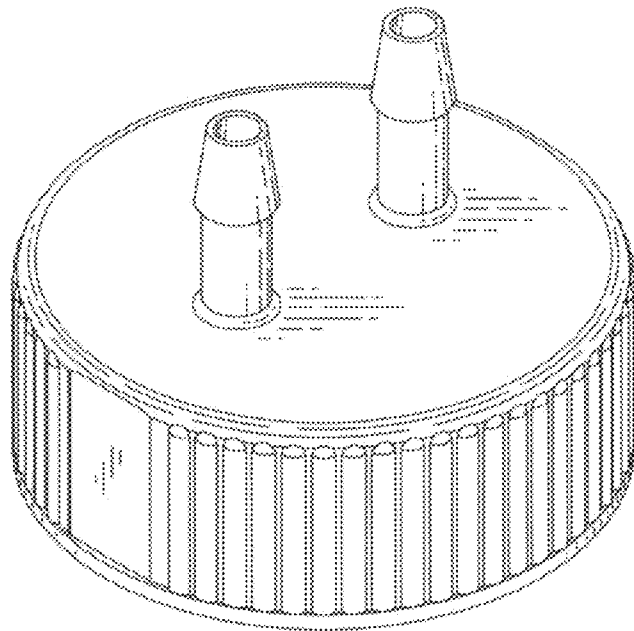


Fig. 1

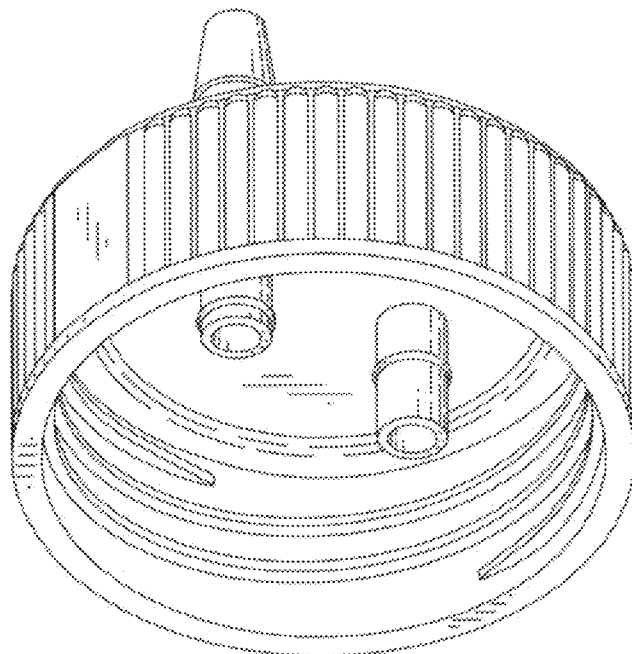


Fig. 2

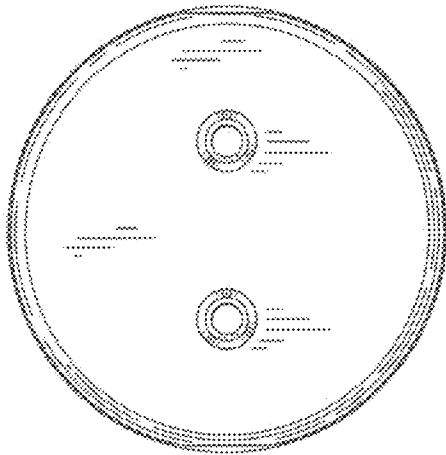


Fig. 3

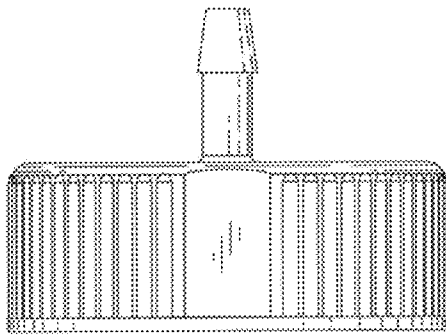


Fig. 4

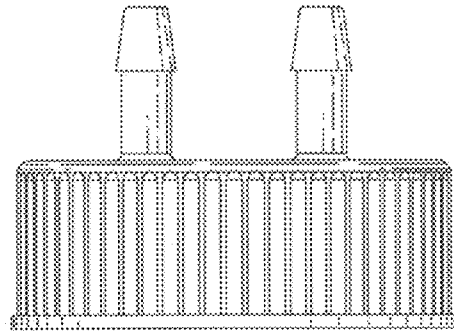


Fig. 5

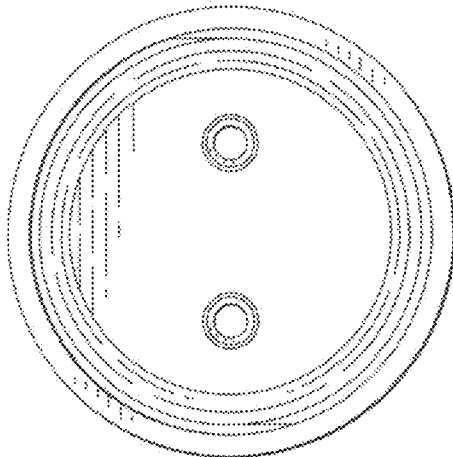


Fig. 6