



- (51) International Patent Classification:
E01F 9/047 (2006.01)
- (21) International Application Number:
PCT/US2014/047540
- (22) International Filing Date:
22 July 2014 (22.07.2014)
- (25) Filing Language: English
- (26) Publication Language: English
- (30) Priority Data:
61/857,378 23 July 2013 (23.07.2013) US
14/336,349 21 July 2014 (21.07.2014) US
- (71) Applicant: **PLASTIC SAFETY SYSTEMS, INC.**
[US/US]; 2444 Baldwin Road, Cleveland, Ohio 44104 (US).
- (72) Inventors: **BROWN, Gregory, H.**; 18987 Munn Road, Chagrin Falls, Ohio 44023 (US). **METTLER, Charles, M.**; 4290 Lane Road, Perry, Ohio 44081 (US).

AO, AT, AU, AZ, BA, BB, BG, BH, BN, BR, BW, BY, BZ, CA, CH, CL, CN, CO, CR, CU, CZ, DE, DK, DM, DO, DZ, EC, EE, EG, ES, FI, GB, GD, GE, GH, GM, GT, HN, HR, HU, ID, IL, IN, IR, IS, JP, KE, KG, KN, KP, KR, KZ, LA, LC, LK, LR, LS, LT, LU, LY, MA, MD, ME, MG, MK, MN, MW, MX, MY, MZ, NA, NG, NI, NO, NZ, OM, PA, PE, PG, PH, PL, PT, QA, RO, RS, RU, RW, SA, SC, SD, SE, SG, SK, SL, SM, ST, SV, SY, TH, TJ, TM, TN, TR, TT, TZ, UA, UG, US, UZ, VC, VN, ZA, ZM, ZW.

- (84) Designated States (unless otherwise indicated, for every kind of regional protection available): ARIPO (BW, GH, GM, KE, LR, LS, MW, MZ, NA, RW, SD, SL, SZ, TZ, UG, ZM, ZW), Eurasian (AM, AZ, BY, KG, KZ, RU, TJ, TM), European (AL, AT, BE, BG, CH, CY, CZ, DE, DK, EE, ES, FI, FR, GB, GR, HR, HU, IE, IS, IT, LT, LU, LV, MC, MK, MT, NL, NO, PL, PT, RO, RS, SE, SI, SK, SM, TR), OAPI (BF, BJ, CF, CG, CL, CM, GA, GN, GQ, GW, KM, ML, MR, NE, SN, TD, TG).

Published:

— with international search report (Art. 21(3))

- (88) Date of publication of the international search report:
12 November 2015

- (74) Agent: **OTTO, Donald, L.**; Renner, Otto, Boisselle & Sklar, LLP, 1621 Euclid Avenue, Nineteenth Floor, Cleveland, Ohio 44115 (US).
- (81) Designated States (unless otherwise indicated, for every kind of national protection available): AE, AG, AL, AM,

(54) Title: PORTABLE ROADWAY WARNING DEVICE

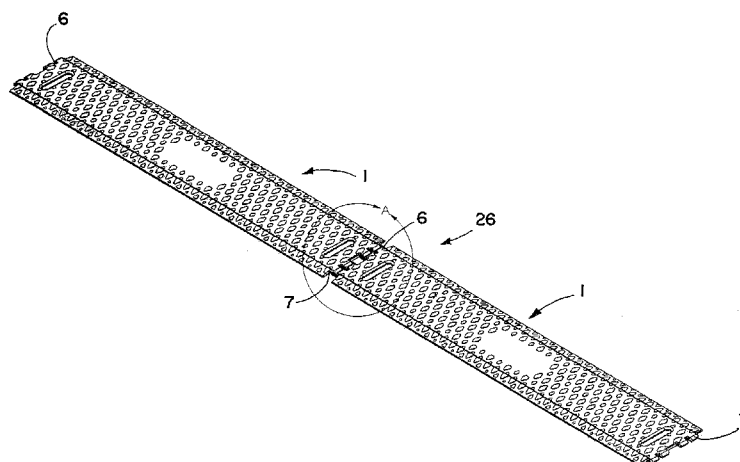


FIG. 3

(57) Abstract: A portable roadway warning device comprises one or more rumble strips. Each rumble strip comprises at least two modular strip sections, each made of a polymeric material having top and bottom surfaces and end edges and side edges. At least one of the end edges of each of the strip sections has a plurality of aligned alternating notches and tabs, and connecting links hingedly connect the tabs at one of the end edges of one of the strip sections to respective aligned tabs at one of the end edges of another of the strip sections.



INTERNATIONAL SEARCH REPORT

International application No.
PCT/US2014/047540

A. CLASSIFICATION OF SUBJECT MATTER
 IPC(8) - E01F 9/047 (2014.01)
 CPC - E01F 9/047 (2014.10)
 According to International Patent Classification (IPC) or to both national classification and IPC

B. FIELDS SEARCHED
 Minimum documentation searched (classification system followed by classification symbols)
 IPC(8) - E01F 9/04, 9/047, 9/087 (2014.01)
 CPC - E01F 9/04, 9/047, 9/087 (2014.10)

Documentation searched other than minimum documentation to the extent that such documents are included in the fields searched
 USPC - 14/69.5; 238/14; 404/13, 15 (keyword delimited)

Electronic data base consulted during the international search (name of data base and, where practicable, search terms used)
 PatBase, Google Patents, Google, YouTube.
 Search terms used: rumble strip, speed bump, slip fit connection, lock pin

C. DOCUMENTS CONSIDERED TO BE RELEVANT

Category*	Citation of document, with indication, where appropriate, of the relevant passages	Relevant to claim No.
X	WO 2011/025154 A2 (SHIN et al) 03 March 2011 (03.03.2011) see machine translation	1, 11, 13-15
Y		----- 1-10, 12, 16, 17
Y	WO 91/19856 A1 (JOHANSSON) 26 December 1991 (26.12.1991) entire document	1-10, 16, 17
Y	US 8,448,278 B1 (BEILSTEIN) 28 May 2013 (28.05.2013) entire document	3-10
Y	US 2010/0158607 A1 (METTLER et al) 24 June 2010 (24.06.2010) entire document	12
A	US 6,309,137 B1 (HIRSCH) 30 October 2001 (30.10.2001) entire document	1-17
A	US 5,439,171 A (FRUEND) 08 August 1995 (08.08.1995) entire document	1-17
A	US 6,119,634 A (MYRICK) 19 September 2000 (19.09.2000) entire document	1-17

Further documents are listed in the continuation of Box C.

* Special categories of cited documents:	"T" later document published after the international filing date or priority date and not in conflict with the application but cited to understand the principle or theory underlying the invention
"A" document defining the general state of the art which is not considered to be of particular relevance	"X" document of particular relevance; the claimed invention cannot be considered novel or cannot be considered to involve an inventive step when the document is taken alone
"E" earlier application or patent but published on or after the international filing date	"Y" document of particular relevance; the claimed invention cannot be considered to involve an inventive step when the document is combined with one or more other such documents, such combination being obvious to a person skilled in the art
"L" document which may throw doubts on priority claim(s) or which is cited to establish the publication date of another citation or other special reason (as specified)	"&" document member of the same patent family
"O" document referring to an oral disclosure, use, exhibition or other means	
"P" document published prior to the international filing date but later than the priority date claimed	

Date of the actual completion of the international search 24 October 2014	Date of mailing of the international search report 14 NOV 2014
--	--

Name and mailing address of the ISA/US Mail Stop PCT, Attn: ISA/US, Commissioner for Patents P.O. Box 1450, Alexandria, Virginia 22313-1450 Facsimile No. 571-273-3201	Authorized officer: Blaine R. Copenheaver PCT Helpdesk: 571-272-4300 PCT OSP: 571-272-7774
---	---