

(19) World Intellectual Property Organization
International Bureau



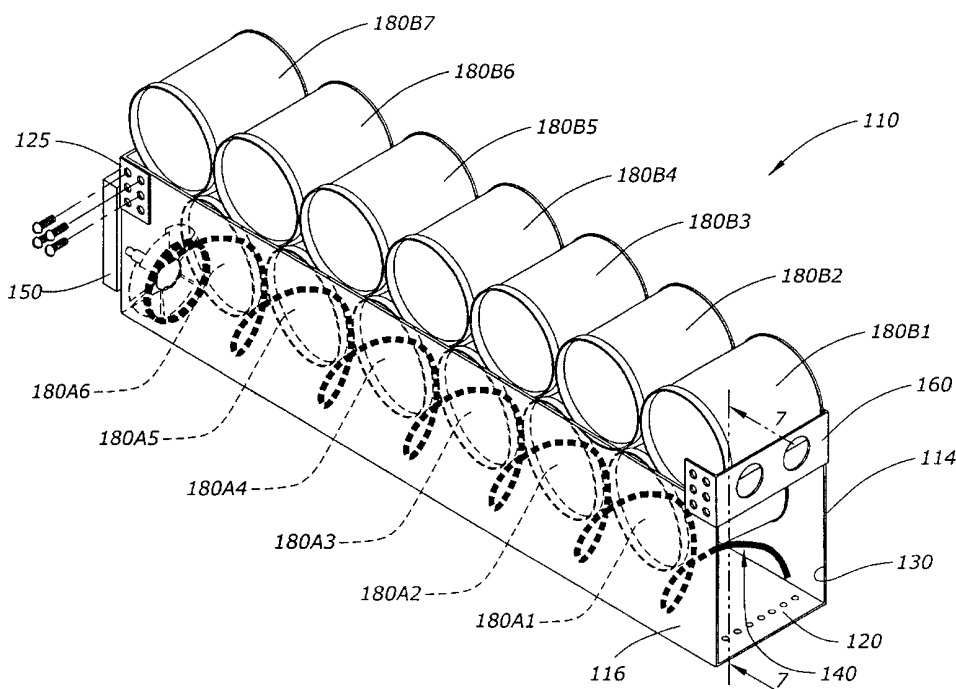
(43) International Publication Date
4 October 2001 (04.10.2001)

PCT

(10) International Publication Number
WO 01/73704 A3

- (51) International Patent Classification⁷: G07F 11/44, 11/60, 11/42
WALKE, Gary, L.: 8040 University Boulevard, P.O. Box 1395, Des Moines, IA 50325 (US).
- (21) International Application Number: PCT/US01/08378
(74) Agent: HANSING, Mark, D.; Zarley, McKee, Thomte, Voorhees & Sease, Suite 3200, 801 Grand Avenue, Des Moines, IA 50309-2721 (US).
- (22) International Filing Date: 15 March 2001 (15.03.2001)
- (25) Filing Language: English
(84) Designated States (regional): European patent (AT, BE, CH, CY, DE, DK, ES, FI, FR, GB, GR, IE, IT, LU, MC, NL, PT, SE, TR).
- (26) Publication Language: English
- (30) Priority Data:
60/192,985 28 March 2000 (28.03.2000) US
09/749,717 27 December 2000 (27.12.2000) US
Published:
— with international search report
- (71) Applicant: INLAND FINANCE COMPANY [US/US]; 8040 University Boulevard, P.O. Box 1395, Des Moines, IA 50325 (US).
(88) Date of publication of the international search report: 31 January 2002
- (72) Inventors: GATES, Anthony, M.; 8040 University Boulevard, P.O. Box 1395, Des Moines, IA 50325 (US).
For two-letter codes and other abbreviations, refer to the "Guidance Notes on Codes and Abbreviations" appearing at the beginning of each regular issue of the PCT Gazette.

(54) Title: APPARATUS AND METHOD FOR ARTICLE DISPENSING



(57) Abstract: An apparatus and method for article dispensing includes an article bay for holding a plurality of articles, and a conveying mechanism below the article bay operable to move an article. The conveying mechanism can repeat such movement for succeeding articles to a dispensing location. Succeeding articles can optionally be placed on top of the articles directly on the conveying mechanism. The succeeding articles are retained until they move by gravity to the conveying mechanism.



WO 01/73704 A3

INTERNATIONAL SEARCH REPORT

International Application No

PCT/US 01/08378

A. CLASSIFICATION OF SUBJECT MATTER
 IPC 7 G07F11/44 G07F11/60 G07F11/42

According to International Patent Classification (IPC) or to both national classification and IPC

B. FIELDS SEARCHED

Minimum documentation searched (classification system followed by classification symbols)
 IPC 7 G07F

Documentation searched other than minimum documentation to the extent that such documents are included in the fields searched

Electronic data base consulted during the international search (name of data base and, where practical, search terms used)

EPO-Internal

C. DOCUMENTS CONSIDERED TO BE RELEVANT

Category °	Citation of document, with indication, where appropriate, of the relevant passages	Relevant to claim No.
X	US 3 421 657 A (LARSON LLOYD E) 14 January 1969 (1969-01-14)	1-3, 6-9, 12-18, 33, 38, 41, 47, 48
Y	column 1, line 35 -column 2, line 35 figures 1-4	28-31, 39-46, 49, 50
X	WO 99 53808 A (MARS INC) 28 October 1999 (1999-10-28)	1, 2, 4-10, 12-24, 27, 34
Y	page 8, line 29 -page 10, line 27 figures 4, 5	25, 35-37
	--- -/--	

Further documents are listed in the continuation of box C.

Patent family members are listed in annex.

° Special categories of cited documents :

- *A* document defining the general state of the art which is not considered to be of particular relevance
- *E* earlier document but published on or after the international filing date
- *L* document which may throw doubts on priority claim(s) or which is cited to establish the publication date of another citation or other special reason (as specified)
- *O* document referring to an oral disclosure, use, exhibition or other means
- *P* document published prior to the international filing date but later than the priority date claimed

- *T* later document published after the international filing date or priority date and not in conflict with the application but cited to understand the principle or theory underlying the invention
- *X* document of particular relevance; the claimed invention cannot be considered novel or cannot be considered to involve an inventive step when the document is taken alone
- *Y* document of particular relevance; the claimed invention cannot be considered to involve an inventive step when the document is combined with one or more other such documents, such combination being obvious to a person skilled in the art.
- *&* document member of the same patent family

Date of the actual completion of the international search

5 November 2001

Date of mailing of the international search report

13/11/2001

Name and mailing address of the ISA

European Patent Office, P.B. 5818 Patentlaan 2
 NL - 2280 HV Rijswijk
 Tel. (+31-70) 340-2040, Tx. 31 651 epo nl,
 Fax: (+31-70) 340-3016

Authorized officer

Wolles, B

INTERNATIONAL SEARCH REPORT

International Application No

PCT/US 01/08378

C.(Continuation) DOCUMENTS CONSIDERED TO BE RELEVANT		
Category	Citation of document, with indication, where appropriate, of the relevant passages	Relevant to claim No.
X	US 5 788 117 A (ZIMMANCK JACK) 4 August 1998 (1998-08-04)	55-57
Y	column 2, line 16 - line 59	28-31, 35, 39-41, 43-46, 49,50
A	----- US 3 424 345 A (PAYNE HARRY R) 28 January 1969 (1969-01-28) column 2, line 20 - line 67	43,44, 49,50
Y	----- EP 0 258 668 A (APP AUTOMATIQUES SOC IND) 9 March 1988 (1988-03-09)	25,36, 37,42
A	abstract	26
A	----- EP 0 572 119 A (KEYOSK CORP) 1 December 1993 (1993-12-01) abstract	32,51

INTERNATIONAL SEARCH REPORT

Information on patent family members

International Application No

PCT/US 01/08378

Patent document cited in search report	Publication date	Patent family member(s)	Publication date
US 3421657	A	14-01-1969	NONE

WO 9953808	A	28-10-1999	US 6062438 A 16-05-2000
			AU 3752099 A 08-11-1999
			DE 19983145 T0 22-03-2001
			GB 2352238 A 24-01-2001
			WO 9953808 A2 28-10-1999
			US 6293434 B1 25-09-2001

US 5788117	A	04-08-1998	NONE

US 3424345	A	28-01-1969	NONE

EP 0258668	A	09-03-1988	FR 2602493 A1 12-02-1988
			EP 0258668 A1 09-03-1988

EP 0572119	A	01-12-1993	US 5303844 A 19-04-1994
			CA 2094998 A1 29-10-1993
			EP 0572119 A2 01-12-1993
			JP 6052429 A 25-02-1994
