



US00D341544S

United States Patent [19]

Zaslavsky

[11] Patent Number: **Des. 341,544**

[45] Date of Patent: **** Nov. 23, 1993**

[54] **JEWELRY DOWNSIZER**

[76] Inventor: **Alexander Zaslavsky**, 24112 Angela St., Lake Forest, Calif. 92630

[**] Term: **14 Years**

[21] Appl. No.: **881,363**

[22] Filed: **May 7, 1992**

[52] U.S. Cl. **D10/64; D10/62**

[58] Field of Search **D10/62, 64; 33/501.09, 33/501.1, 501.2, 501.3, 501.4, 501.45; 7/164, 168, 169**

[56] **References Cited**

U.S. PATENT DOCUMENTS

- D. 318,242 7/1991 Jackson, Sr. D10/64
- 1,810,166 6/1931 Gallimore 33/501.45

Primary Examiner—Alan P. Douglas

Assistant Examiner—A. D. Davis

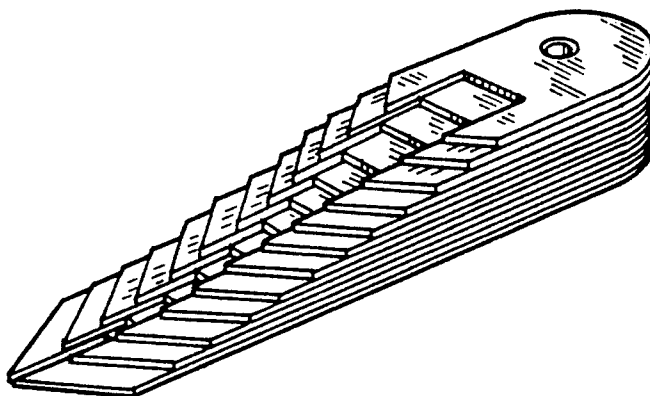
Attorney, Agent, or Firm—Kenneth L. Sherman

[57] **CLAIM**

The ornamental design for the jewelry downsizer, as shown and described.

DESCRIPTION

FIG. 1 is a front perspective view of a jewelry downsizer embodying my new design;
 FIG. 2 is a top plan view of the embodied jewelry downsizer in FIG. 1 shown open;
 FIG. 3 is a top plan view of the embodied jewelry downsizer in FIG. 1 shown closed;
 FIG. 4 is a bottom plan view of the embodied jewelry downsizer;
 FIG. 5 is a side elevational view of the embodied jewelry downsizer;
 FIG. 6 is a front elevational view of the embodied jewelry downsizer; and,
 FIG. 7 is a rear elevational view of the embodied jewelry downsizer.



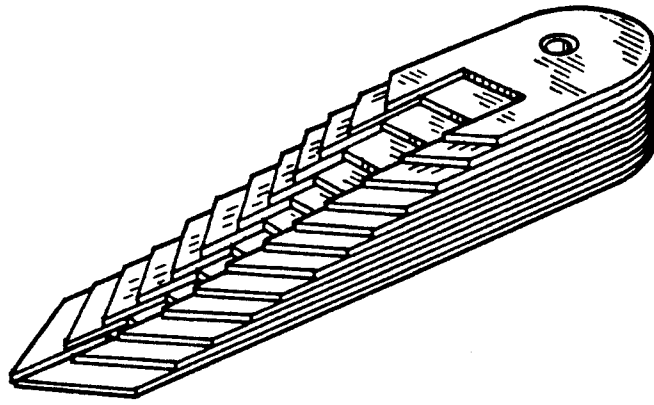


FIG. 1

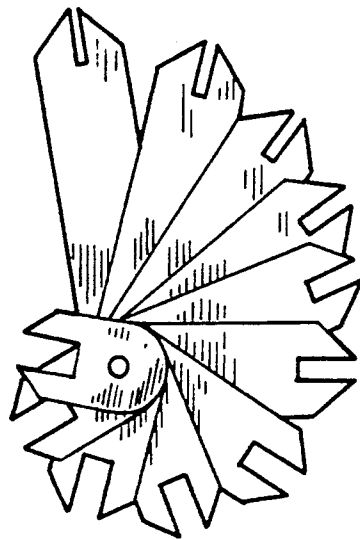


FIG. 2

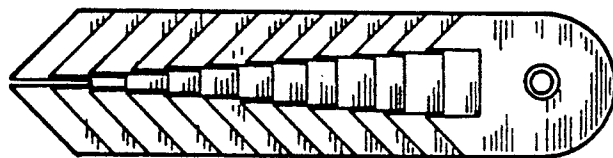


FIG. 3

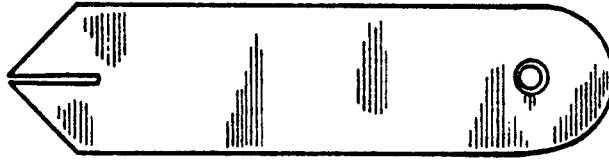


FIG. 4



FIG. 5



FIG. 6



FIG. 7