



US00D613590S

(12) **United States Design Patent**  
**Goodman et al.**

(10) **Patent No.:** **US D613,590 S**

(45) **Date of Patent:** **\*\* Apr. 13, 2010**

(54) **OVER-THE-DRAWER/CABINET HOOK**

(57) **CLAIM**

(75) Inventors: **Sheldon H. Goodman**, Solon, OH (US);  
**Omer I. Sazir**, Cleveland, OH (US);  
**Patrick Triato**, Tremont, OH (US)

The ornamental design for an over-the-drawer/cabinet hook,  
as shown and described.

(73) Assignee: **Spectrum Diversified Designs, Inc.**,  
Streetsboro, OH (US)

**DESCRIPTION**

(\*\*) Term: **14 Years**

FIG. 1 is a perspective view of an over-the-drawer/cabinet  
hook showing the first embodiment our new design;

(21) Appl. No.: **29/341,404**

FIG. 2 is a bottom plan view thereof;

(22) Filed: **Aug. 5, 2009**

FIG. 3 is a top plan view thereof;

(51) **LOC (9) Cl.** ..... **08-05**

FIG. 4 is a rear elevational view thereof;

(52) **U.S. Cl.** ..... **D8/372**

FIG. 5 is a front elevational view thereof;

(58) **Field of Classification Search** ..... D8/372,  
D8/367; 248/301-304, 339

FIG. 6 is a right side elevational view thereof, the left side  
elevational view being a mirror image;

See application file for complete search history.

FIG. 7 is a perspective view of the hook of FIG. 1, having a  
narrowed width portion, showing the second embodiment our  
new design;

(56) **References Cited**

**U.S. PATENT DOCUMENTS**

- D412,250 S \* 7/1999 Pardue ..... D6/323
- D557,120 S \* 12/2007 Snell ..... D8/372
- D576,021 S \* 9/2008 Goodman et al. .... D8/372

FIG. 8 is a bottom plan view thereof;

FIG. 9 is a top plan view thereof;

FIG. 10 is a rear elevational view thereof;

FIG. 11 is a front elevational view thereof; and,

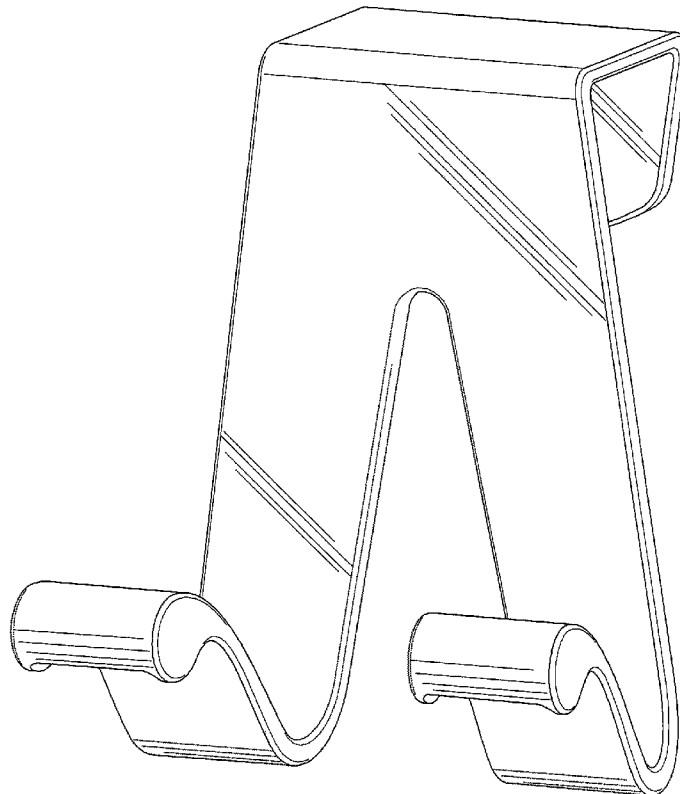
FIG. 12 is a right side elevational view thereof, the left side  
elevational view being a mirror image.

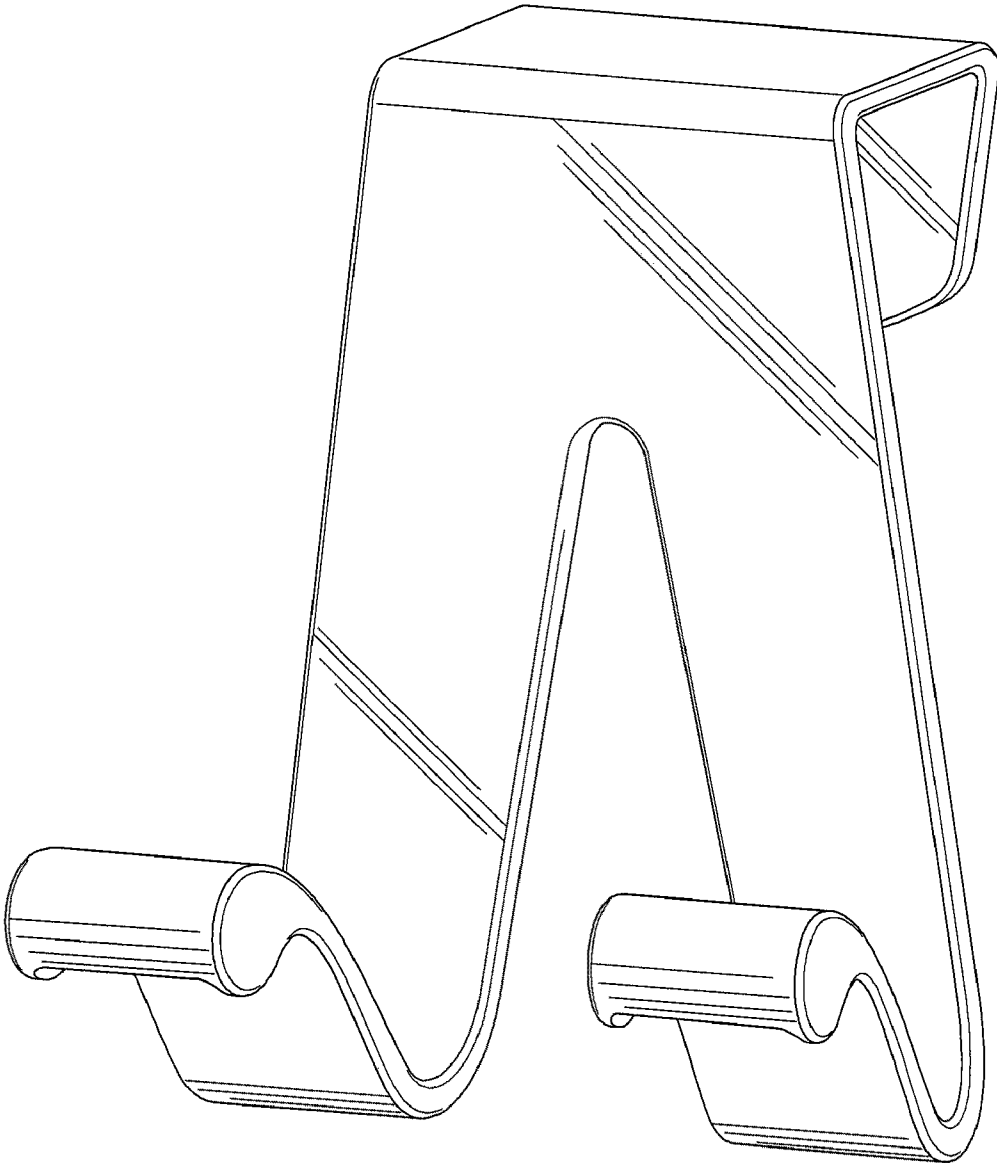
\* cited by examiner

*Primary Examiner*—Holly H Baynham

(74) *Attorney, Agent, or Firm*—Pearne & Gordon LLP

**1 Claim, 4 Drawing Sheets**





**FIG. 1**

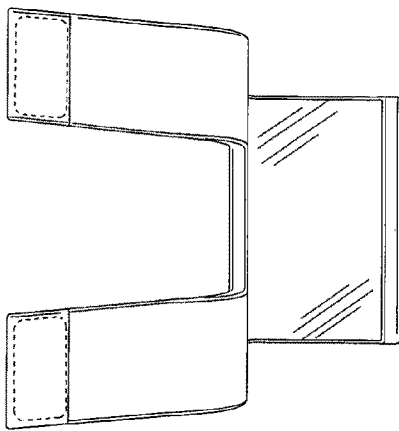


FIG. 2

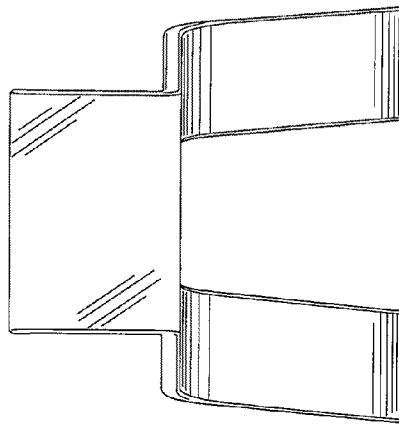


FIG. 3

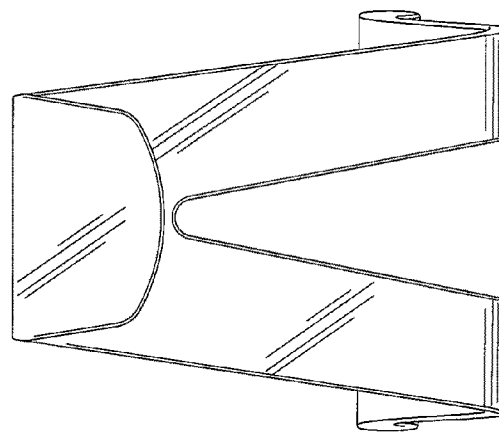


FIG. 4

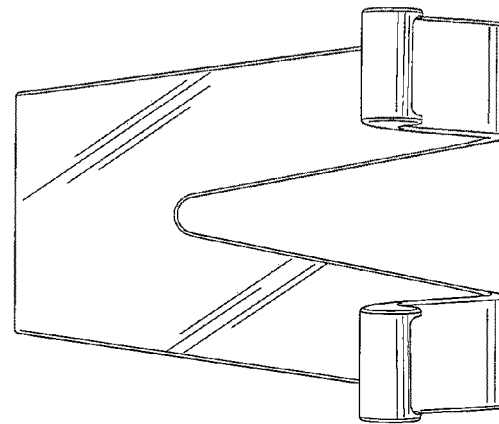


FIG. 5

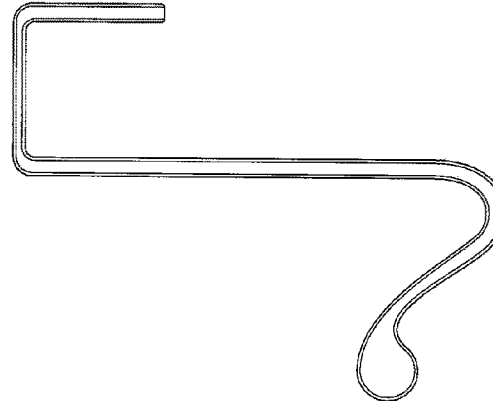
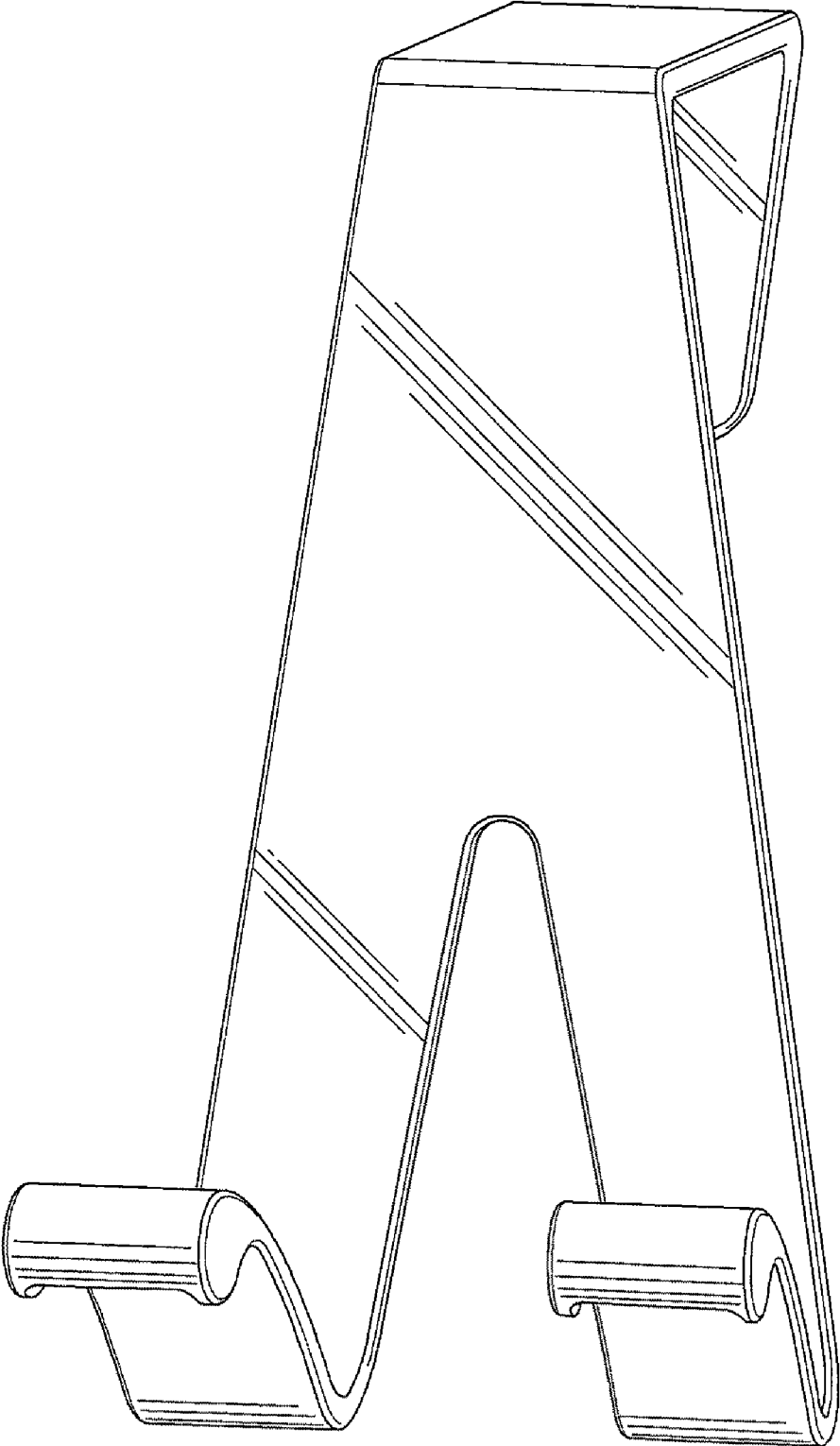


FIG. 6



**FIG. 7**

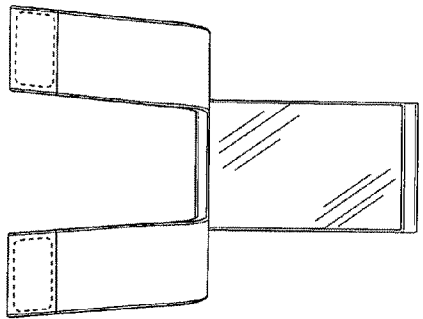


FIG. 8

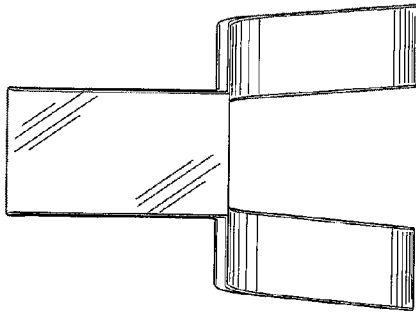


FIG. 9

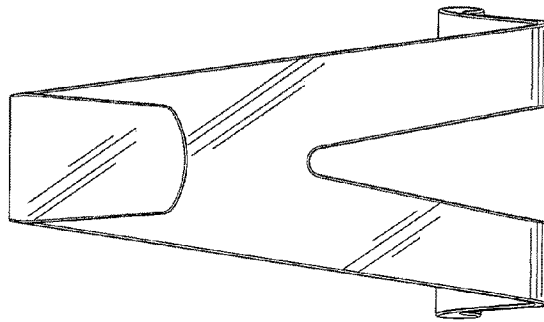


FIG. 10

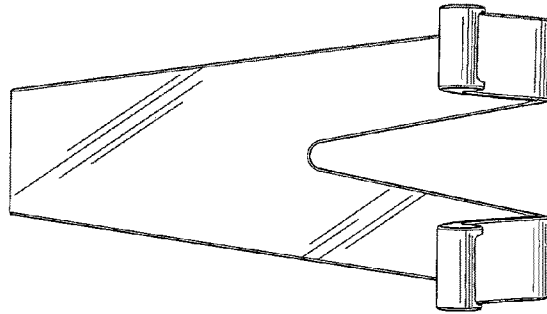


FIG. 11

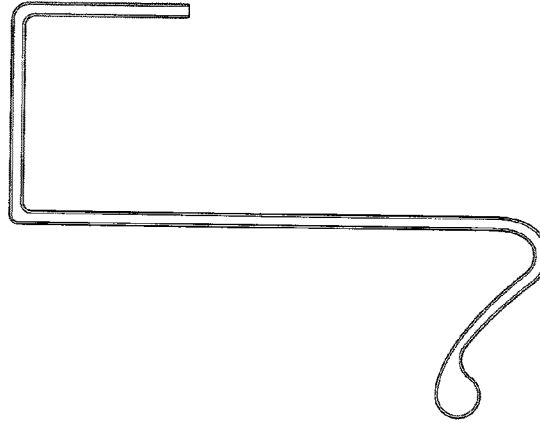


FIG. 12