

(19) World Intellectual Property Organization  
International Bureau



(43) International Publication Date  
12 June 2008 (12.06.2008)

PCT

(10) International Publication Number  
**WO 2008/068667 A3**

(51) International Patent Classification:  
*H01J 61/86* (2006.01)    *H01J 61/073* (2006.01)  
*H05B 41/00* (2006.01)    *F21L 4/00* (2006.01)  
*H01J 9/04* (2006.01)

(NL). **ENGELBRECHT, Bernd** [DEML]; c/o Prof. Holstlaan 6, NL-5656 AA Eindhoven (NL). **COMBERG, Albert** [DEML]; c/o Prof. Holstlaan 6, NL-5656 AA Eindhoven (NL). **MOENCH, Holger** [DEML]; c/o Prof. Holstlaan 6, NL-5656 AA Eindhoven (NL).

(21) International Application Number:  
**PCT/IB2007/054809**

(74) Agent: **BEKKERS, Joost**; Prof. Holstlaan 6, NL-5656 AA Eindhoven, (NL).

(22) International Filing Date:  
27 November 2007 (27.11.2007)

(81) Designated States (unless otherwise indicated, for every kind of national protection available): AE, AG, AL, AM, AT, AU, AZ, BA, BB, BG, BH, BR, BW, BY, BZ, CA, CH, CN, CO, CR, CU, CZ, DE, DK, DM, DO, DZ, EC, EE, EG, ES, FI, GB, GD, GE, GH, GM, GT, HN, HR, HU, ID, IL, IN, IS, JP, KE, KG, KM, KN, KP, KR, KZ, LA, LC, LK, LR, LS, LT, LU, LY, MA, MD, ME, MG, MK, MN, MW, MX, MY, MZ, NA, NG, NI, NO, NZ, OM, PG, PH, PL, PT, RO, RS, RU, SC, SD, SE, SG, SK, SL, SM, SV, SY, TJ, TM, TN, TR, TT, TZ, UA, UG, US, UZ, VC, VN, ZA, ZM, ZW

(25) Filing Language: English

(26) Publication Language: English

(30) Priority Data:  
06125333.2    4 December 2006 (04.12.2006)    EP

(71) Applicant (for DE only): **PHILIPS INTELLECTUAL PROPERTY & STANDARDS GMBH** [DE/DE]; Lübeckertordamm 5, 20099 Hamburg (DE).

(84) Designated States (unless otherwise indicated, for every kind of regional protection available): ARIPO (BW, GH, GM, KE, LS, MW, MZ, NA, SD, SL, SZ, TZ, UG, ZM, ZW), Eurasian (AM, AZ, BY, KG, KZ, MD, RU, TJ, TM), European (AT, BE, BG, CH, CY, CZ, DE, DK, EE, ES, FI, FR, GB, GR, HU, IE, IS, IT, LT, LU, LV, MC, MT, NL, PL, PT, RO, SE, SI, SK, TR), OAPI (BF, BJ, CF, CG, CI, CM, GA, GN, GQ, GW, ML, MR, NE, SN, TD, TG).

(71) Applicant (for all designated States except DE, US): **KONINKLUKE PHILIPS ELECTRONICS N. V.** [NLML]; Groenewoudseweg 1, NL-5621 BA Eindhoven (NL).

(72) Inventors; and

(75) Inventors/Applicants (for US only): **CARPAIJ, Mark** [NLML]; c/o Prof. Holstlaan 6, NL-5656 AA Eindhoven

Published: — with international search report

[Continued on next page]

(54) Title: FLASHLIGHT WITH HIGH-PRESSURE MERCURY DISCHARGE LAMP

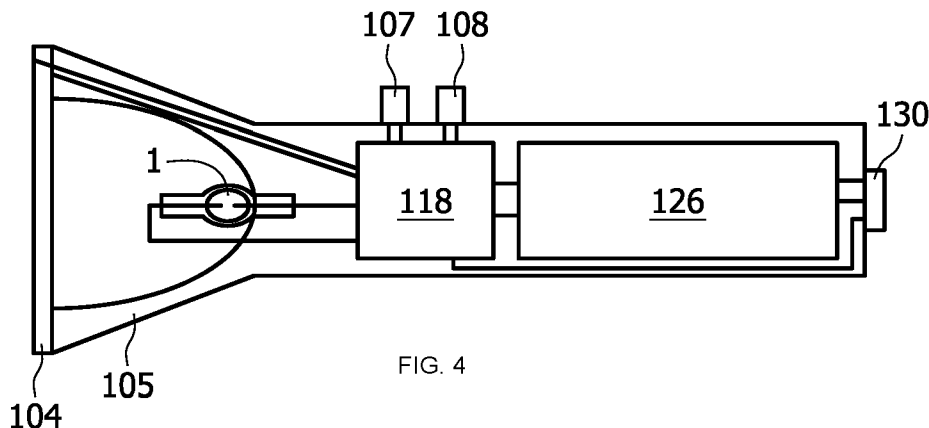


FIG. 4

(57) Abstract: A flashlight comprising a high-pressure mercury vapor discharge lamp (1) (UHP lamp) is described. The miniaturized UHP lamp (1) enables flashlights with improved range due to the small electrode distance at high intensity in comparison to conventional HID lamps (mostly used in automotive lighting applications) as proposed by prior art. Additionally the application range is enlarged due to the smaller size of the high-end flashlight and the reduced requirements with respect to the driver circuitry.

WO 2008/068667 A3



— *before the expiration of the time limit for amending the claims and to be republished in the event of receipt of amendments*

**(88) Date of publication of the international search report:**  
4 September 2008

# INTERNATIONAL SEARCH REPORT

International application No  
PCT/IB2007/054809

<b>A. CLASSIFICATION OF SUBJECT MATTER</b> INV. H01J61/86 H05B41/00 H01J9/04 H01J61/073 F21L4/00		
According to International Patent Classification (IPC) or to both national classification and IPC		
<b>B. FIELDS SEARCHED</b> Minimum documentation searched (classification system followed by classification symbols) H01J H05B F21L		
Documentation searched other than minimum documentation to the extent that such documents are included in the fields searched		
Electronic data base consulted during the international search (name of data base and, where practical search terms used) EPO-Internal . WPI Data		
<b>C. DOCUMENTS CONSIDERED TO BE RELEVANT</b>		
Category	Citation of document, with indication, where appropriate, of the relevant passages	Relevant to claim No
A	DATABASE WPI Week 197444 Thomson Scientific, London, GB; AN 1974-K1182V XP002475545 - & SU 402 717 A (ZAZHIGIN AS ET AL) 6 June 1974 (1974-06-06) abstract -----	1-9
A	US 5 604 406 A (GAUS HARRY [DE]) 18 February 1997 (1997-02-18) column 2, line 50 - line 60 column 3, line 11 - column 4, line 62; figures 1-4 -----	1-9
A	DE 101 23 541 A1 (INFINEON TECHNOLOGIES AG [DE]) 28 November 2002 (2002-11-28) cited in the application abstract; figure 1 -----	1-9
-/--		
<input checked="" type="checkbox"/> Further documents are listed in the continuation of Box C <span style="margin-left: 200px;"><input checked="" type="checkbox"/> See patent family annex</span>		
* Special categories of cited documents *A* document defining the general state of the art which is not considered to be of particular relevance 1E* earlier document but published on or after the international filing date *L* document which may throw doubts on priority claim(s) or which is cited to establish the publication date of another citation or other special reason (as specified) *O* document referring to an oral disclosure, use, exhibition or other means *P* document published prior to the international filing date but later than the priority date claimed *T* later document published after the international filing date or priority date and not in conflict with the application but cited to understand the principle or theory underlying the invention *X* document of particular relevance, the claimed invention cannot be considered novel or cannot be considered to involve an inventive step when the document is taken alone *Y* document of particular relevance, the claimed invention cannot be considered to involve an inventive step when the document is combined with one or more other such documents, such combination being obvious to a person skilled in the art *&* document member of the same patent family		
Date of the actual completion of the international search		Date of mailing of the international search report
<b>29 April 2008</b>		<b>11/07/2008</b>
Name and mailing address of the ISA/ European Patent Office, P B 5818 Patenllaan 2 NL - 2280 HV Rijswijk Tel (+31-70) 340-2040, Tx 31 651 epo nl, Fax (+31-70) 340-3016		Authorized officer  <b>Zuccatti , Stefano</b>

**INTERNATIONAL SEARCH REPORT**

International application No  
PCT/IB2007/054809

C(Continuation). DOCUMENTS CONSIDERED TO BE RELEVANT		
Category"	Citation of document with indication, where appropriate, of the relevant passages	Relevant to claim No
A	US 2005/254237 A1 (NATH GUNTHER [DE] ET AL) 17 November 2005 (2005-11-17) paragraphs [0011] - [0014]; figures 1,2 -----	1-9
A	US 2002/080611 A1 (WOOD ROBERT J [US] ET AL) 27 June 2002 (2002-06-27) paragraph [0019]; figure 1a -----	1-9
A	EP 1 215 699 A (PHILIPS CORP' INTELLECTUAL PTY [DE]; KONINKL PHILIPS ELECTRONICS NV [NL]) 19 June 2002 (2002-06-19) paragraph [0025] paragraphs [0031], [0032], [0036] - [0043] figures 1,2a-2c -----	2-7
A	EP 1 465 238 A (MATSUSHITA ELECTRIC IND CO LTD [JP]) 6 October 2004 (2004-10-06) paragraphs [0027], [0028], [0037], [0038]; figure 2 -----	2-7
A	DE 38 13 421 A1 (PHILIPS PATENTVERWALTUNG [DE]) 2 November 1989 (1989-11-02) abstract -----	2-7
A	EP 1 560 471 A (MATSUSHITA ELECTRIC IND CO LTD [JP]) 3 August 2005 (2005-08-03) paragraph [0065]; figure 2 -----	8,9
A	US 2004/136134 A1 (OKAWA KAZUO [JP] ET AL) 15 July 2004 (2004-07-15) abstract; figures 11-15 -----	8,9

# INTERNATIONAL SEARCH REPORT

International application No  
PCT/IB2007/054809

## Box No. II Observations where certain claims were found unsearchable (Continuation of item 2 of first sheet)

This International search report has not been established in respect of certain claims under Article 17(2)(a) for the following reasons

- 1  Claims Nos. because they relate to subject matter not required to be searched by this Authority, namely
  
- 2  Claims Nos. because they relate to parts of the international application that do not comply with the prescribed requirements to such an extent that no meaningful international search can be carried out, specifically
  
- 3  Claims Nos. because they are dependent claims and are not drafted in accordance with the second and third sentences of Rule 6.4(a)

## Box No. III Observations where unity of invention is lacking (Continuation of item 3 of first sheet)

This International Searching Authority found multiple inventions in this international application, as follows

see additional sheet

- 1  As all required additional search fees were timely paid by the applicant, this international search report covers allsearchable claims
  
- 2  As all searchable claims could be searched without effort justifying an additional fees, this Authority did not invite payment of additional fees
  
- 3  As only some of the required additional search fees were timely paid by the applicant, this international search report covers only those claims for which fees were paid, specifically claims Nos.
  
- 4  No required additional search fees were timely paid by the applicant. Consequently, this international search report is restricted to the invention first mentioned in the claims, it is covered by claims Nos.

1-9

### Remark on Protest

- The additional search fees were accompanied by the applicant's protest and, where applicable, the payment of a protest fee
- The additional search fees were accompanied by the applicant's protest but the applicable protest fee was not paid within the time limit specified in the invitation
- No protest accompanied the payment of additional search fees

FURTHER INFORMATION CONTINUED FROM PCT/ISA/ 210

This International Searching Authority found multiple (groups of) inventions in this international application, as follows:

1. claims : 1-9

Flash lamp using an UHP-mercury discharge lamp

---

2. claim: 10

Method of driving a flash lamp using a high pressure mercury discharge lamp

---

# INTERNATIONAL SEARCH REPORT

Information on patent family members

International application No <b>PCT/IB2007/054809</b>
--

Patent document cited in search report	Publication date	Publication date	Patent family member(s)	Publication date
SU 402717	A	19-10-1973	NONE	
US 5604406	A	18-02-1997	EP 0735799 A2	02-10-1996
DE 10123541	A1	28-11-2002	NONE	
US 2005254237	A1	17-11-2005	GB 2414069 A	16-11-2005
US 2002080611	A1	27-06-2002	NONE	
EP 1215699	A	19-06-2002	CN 1360334 A DE 10062974 A1 JP 4094845 B2 JP 2002245965 A KR 20020048299 A TW 521301 B US 2002117968 A1	24-07-2002 20-06-2002 04-06-2008 30-08-2002 22-06-2002 21-02-2003 29-08-2002
EP 1465238	A	06-10-2004	CN 1534718 A JP 2004303573 A US 2004189208 A1	06-10-2004 28-10-2004 30-09-2004
DE 3813421	A1	02-11-1989	CA 1303663 C CN 1037235 A DD 283875 A5 EP 0338637 A2 ES 2076199 T3 HU 50530 A2 JP 2148561 A JP 2829339 B2 US 5109181 A	16-06-1992 15-11-1989 24-10-1990 25-10-1989 01-11-1995 28-02-1990 07-06-1990 25-11-1998 28-04-1992
EP 1560471	A	03-08-2005	NONE	
US 2004136134	A1	15-07-2004	CN 1510504 A JP 2004207018 A	07-07-2004 22-07-2004