



US00D970371S

(12) **United States Design Patent** (10) **Patent No.:** **US D970,371 S**
Morris et al. (45) **Date of Patent:** **** Nov. 22, 2022**

(54) **HANDHELD VIDEO BOROSCOPE** D727,756 S * 4/2015 Stancato A61B 1/00167
D10/46
(71) Applicant: **Baker Hughes, a GE Company, LLC,** 9,186,048 B2 * 11/2015 Bueno A61B 1/00096
Houston, TX (US) D886,652 S * 6/2020 Morris D10/78
2019/0331613 A1 * 10/2019 Morris G01N 21/954

(72) Inventors: **Bryan Christopher Morris,** * cited by examiner
Baldwinsville, NY (US); **Gerard**
Frederick Beckhusen, Skaneateles, NY
(US); **Jason Pennell,** Skaneateles, NY
(US)
Primary Examiner — Antoine Duval Davis
(74) *Attorney, Agent, or Firm* — Mintz Levin Cohn Ferris
Glovsky and Popeo, PC; Lisa Adams

(73) Assignee: **Baker Hughes, a GE Company, LLC,**
Houston, TX (US)

(**) Term: **15 Years**
(21) Appl. No.: **29/736,574**
(57) **CLAIM**
The ornamental design for a handheld video borescope, has
shown and described.

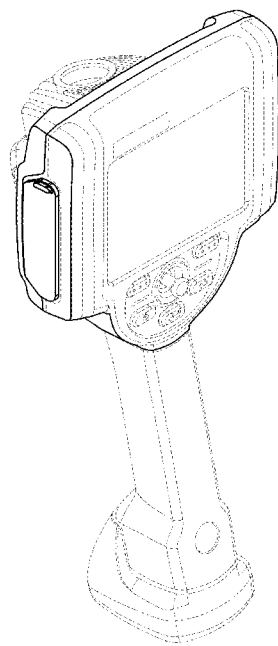
(22) Filed: **Jun. 1, 2020**
DESCRIPTION

Related U.S. Application Data
(62) Division of application No. 29/673,486, filed on Dec.
14, 2018, now Pat. No. Des. 886,652.

(51) **LOC (13) Cl.** **10-04**
(52) **U.S. Cl.**
USPC **D10/80**

(58) **Field of Classification Search**
USPC D10/46, 78, 104.1, 80
CPC G02B 23/16; G02B 23/24; G02B 23/2476;
G02B 23/26
See application file for complete search history.

(56) **References Cited**
U.S. PATENT DOCUMENTS
7,902,990 B2 * 3/2011 Delmonico H02J 7/0048
340/636.1
8,970,934 B2 * 3/2015 Yang G02F 1/29
359/240
1 Claim, 6 Drawing Sheets



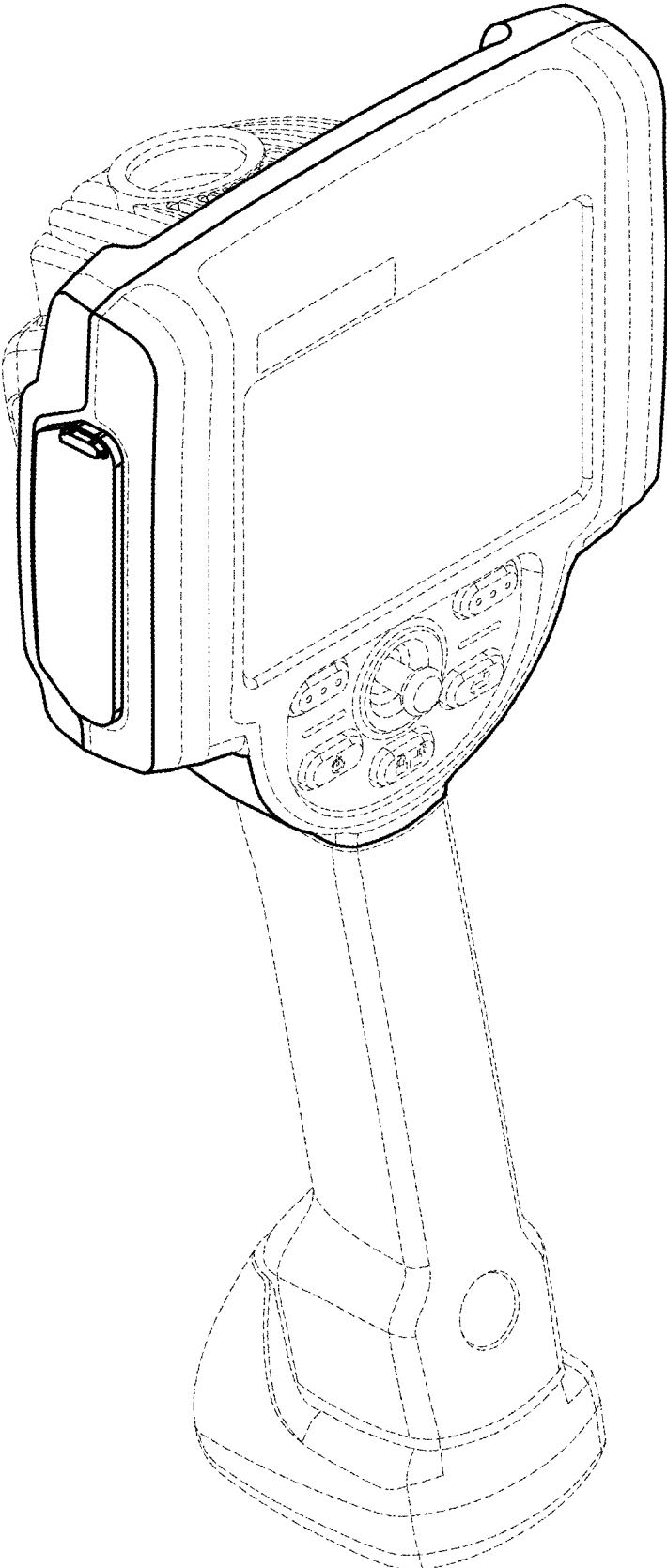


FIG. 1

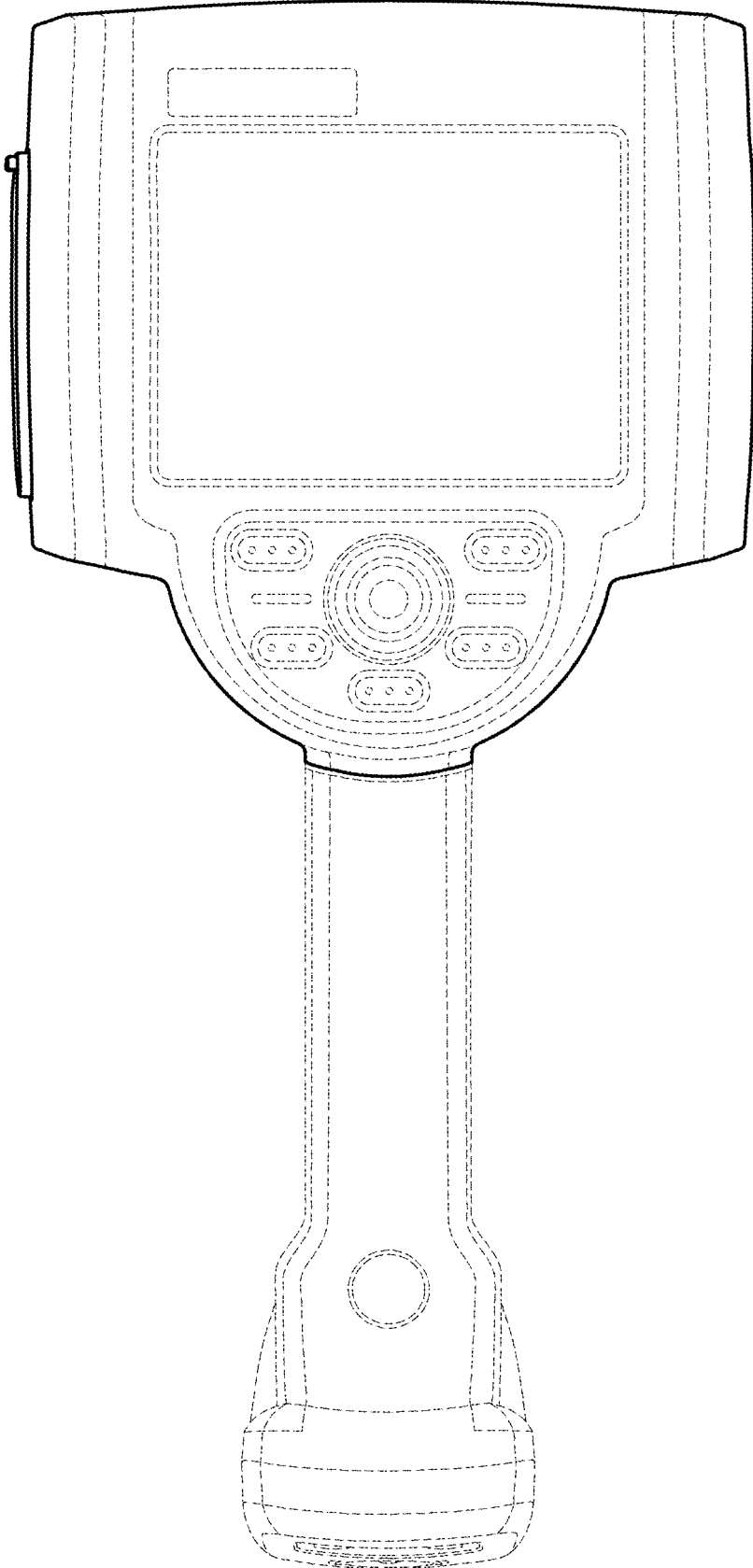


FIG. 2

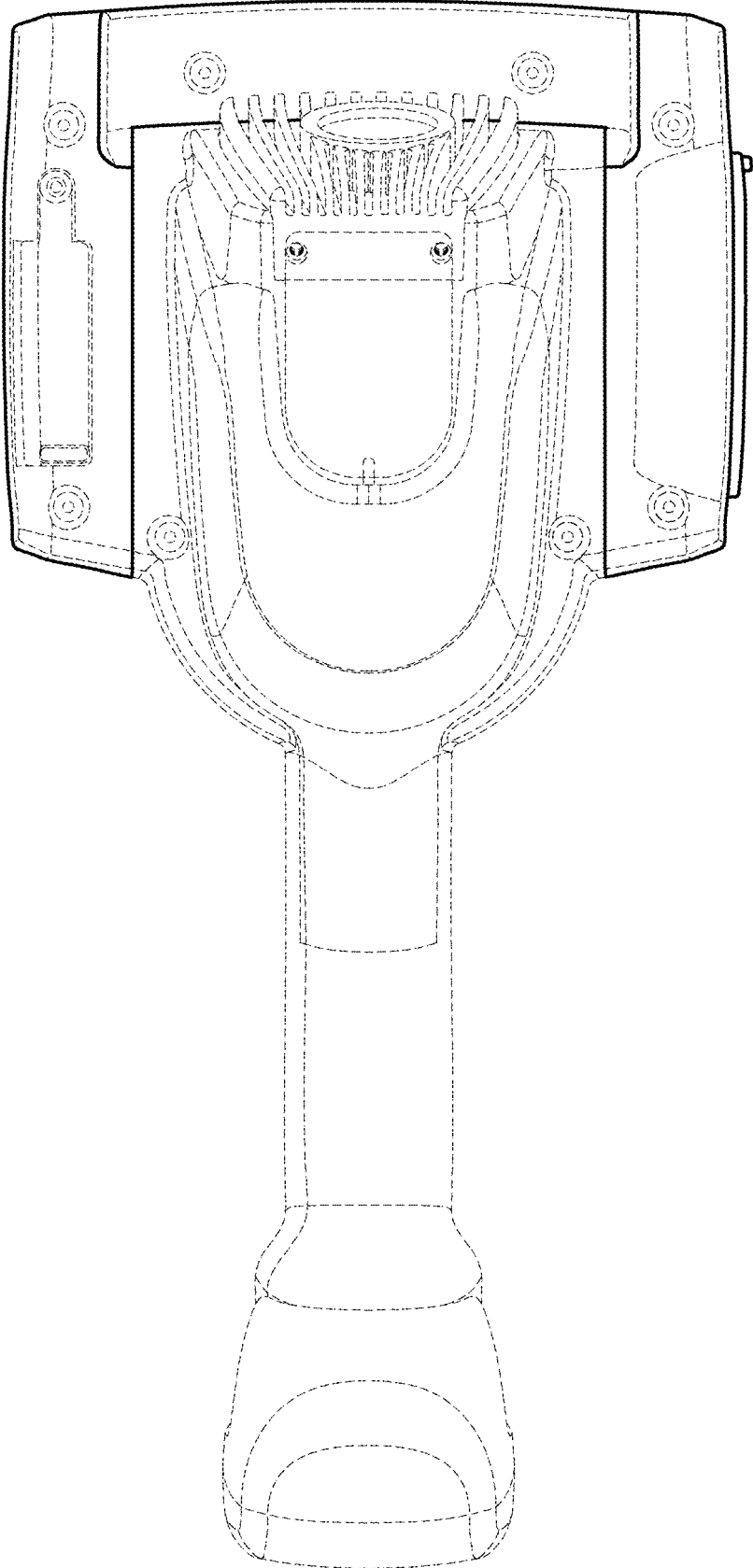


FIG. 3

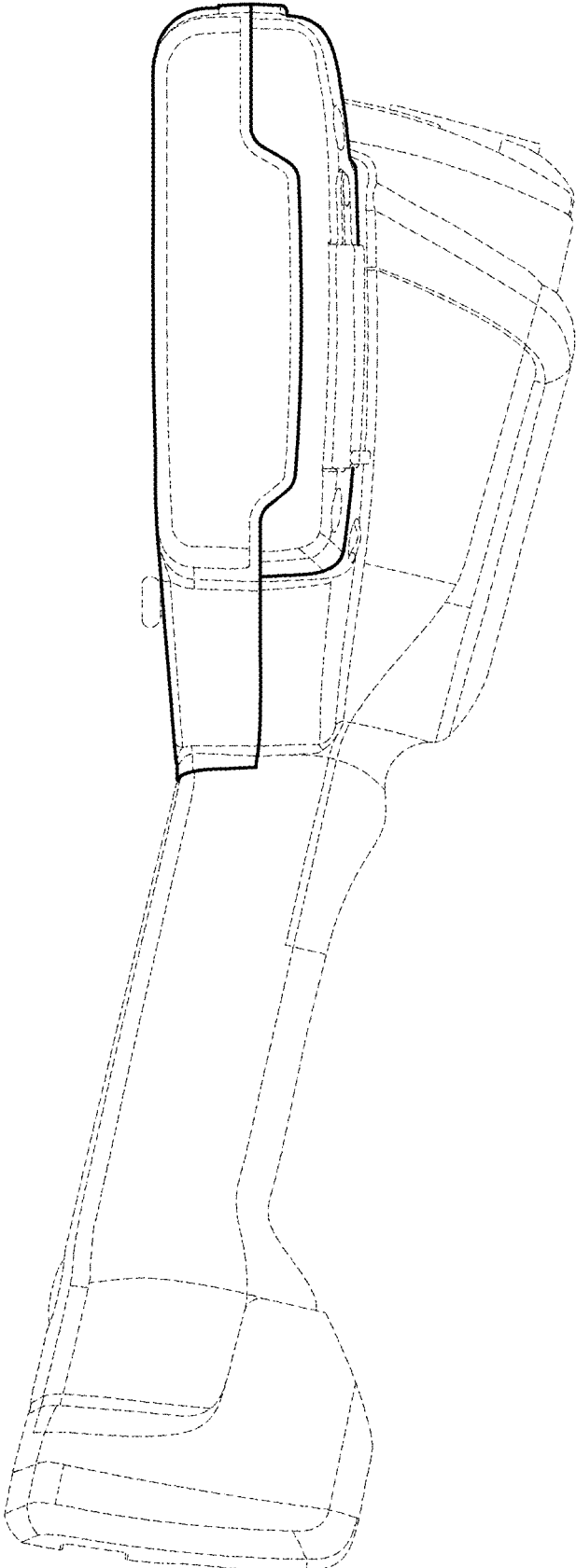


FIG. 4

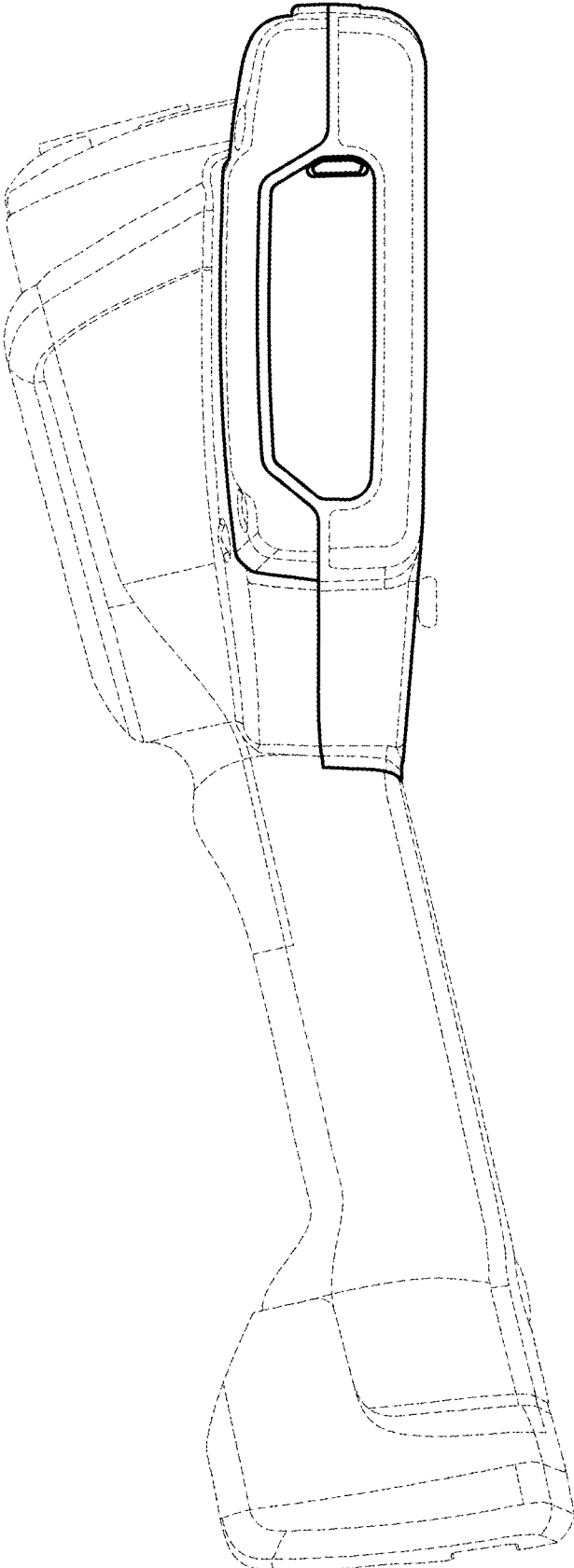


FIG. 5

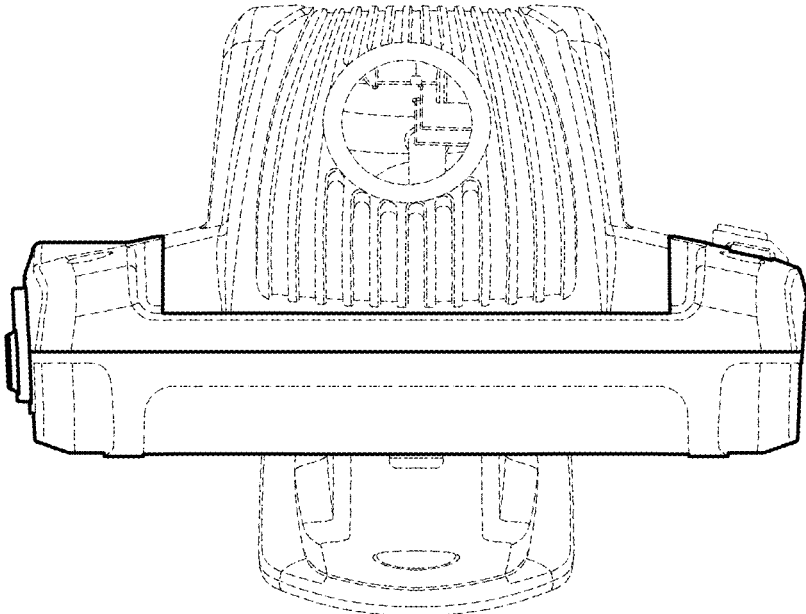


FIG. 6

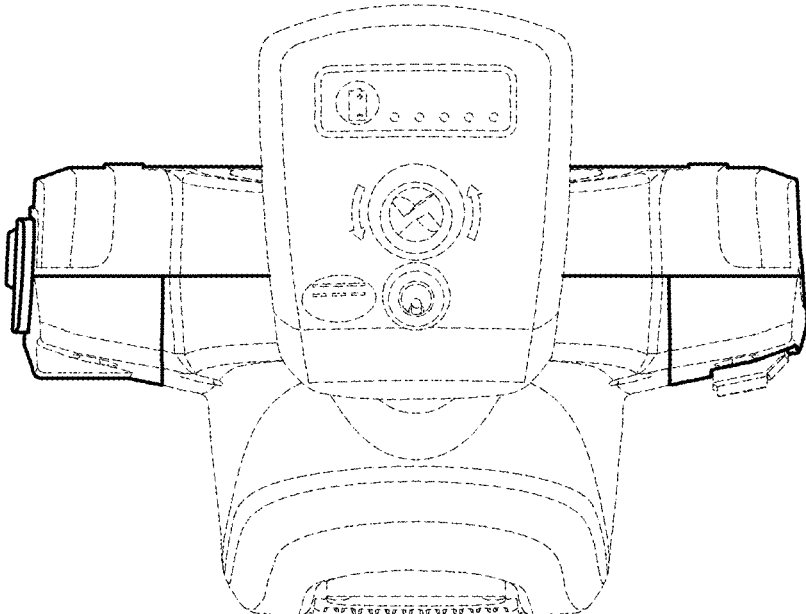


FIG. 7