

(19) World Intellectual Property Organization
International Bureau



(43) International Publication Date
20 December 2001 (20.12.2001)

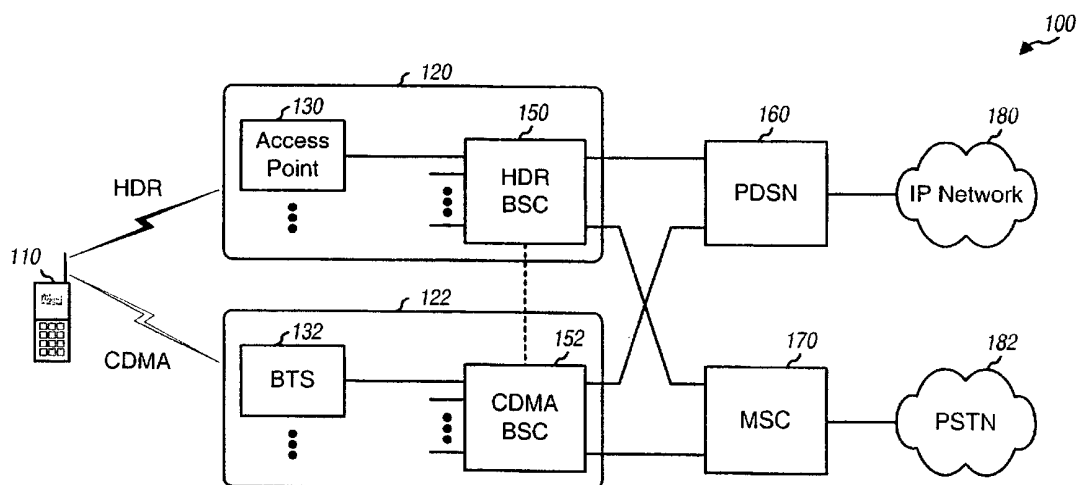
PCT

(10) International Publication Number
WO 01/97545 A3

- (51) International Patent Classification⁷: H04Q 7/22
- (21) International Application Number: PCT/US01/19250
- (22) International Filing Date: 13 June 2001 (13.06.2001)
- (25) Filing Language: English
- (26) Publication Language: English
- (30) Priority Data:
09/593,289 13 June 2000 (13.06.2000) US
- (71) Applicant: QUALCOMM INCORPORATED [US/US];
5775 Morehouse Drive, San Diego, CA 92121-1714 (US).
- (72) Inventors: BENDER, Paul, E.; 2879 Angell Avenue,
San Diego, CA 92122 (US). REZAIIFAR, Ramin; 10896
Caminito Arcada, San Diego, CA 92131 (US).
- (74) Agents: MINHAS, Sandip, S. et al.; Qualcomm Incorporated,
5775 Morehouse Drive, San Diego, CA 92121-1714
(US).
- (81) Designated States (*national*): AE, AG, AL, AM, AT, AU,
AZ, BA, BB, BG, BR, BY, BZ, CA, CH, CN, CO, CR, CU,
CZ, DE, DK, DM, DZ, EE, ES, FI, GB, GD, GE, GH, GM,
HR, HU, ID, IL, IN, IS, JP, KE, KG, KP, KR, KZ, LC, LK,
LR, LS, LT, LU, LV, MA, MD, MG, MK, MN, MW, MX,
MZ, NO, NZ, PL, PT, RO, RU, SD, SE, SG, SI, SK, SL,
TJ, TM, TR, TT, TZ, UA, UG, UZ, VN, YU, ZA, ZW.
- (84) Designated States (*regional*): ARIPO patent (GH, GM,
KE, LS, MW, MZ, SD, SL, SZ, TZ, UG, ZW), Eurasian
patent (AM, AZ, BY, KG, KZ, MD, RU, TJ, TM), European
patent (AT, BE, CH, CY, DE, DK, ES, FI, FR, GB, GR, IE,
IT, LU, MC, NL, PT, SE, TR), OAPI patent (BF, BJ, CF,
CG, CI, CM, GA, GN, GW, ML, MR, NE, SN, TD, TG).
- Published:
— with international search report
- (88) Date of publication of the international search report:
20 June 2002

For two-letter codes and other abbreviations, refer to the "Guidance Notes on Codes and Abbreviations" appearing at the beginning of each regular issue of the PCT Gazette.

(54) Title: METHOD AND APPARATUS FOR FORWARDING MESSAGES AMONG MULTIPLE RADIO NETWORKS



WO 01/97545 A3

(57) Abstract: Techniques to forward unsolicited messages from an (IS-2000) CDMA radio network via an HDR radio network to an access terminal. A session is first established between the access terminal and the HDR radio network. During session establishment or thereafter, the access terminal indicates to the HDR radio network an interest in receiving unsolicited messages from the CDMA radio network, and may further indicate an interest to be paged for a particular set of service options. The access terminal typically also registers with the CDMA radio network. Thereafter, unsolicited messages can be sent from a mobile station controller (MSC) to the HDR and CDMA radio networks, or sent from the MSC to the CDMA radio network, which then forwards the messages to the HDR radio network. The HDR radio network encapsulates the unsolicited messages and sends the encapsulated messages on a forward traffic channel, a designated control channel cycle, or via other channels to the access terminal. The forwarding of unsolicited messages allows the CDMA radio network to communicate with (e.g., page) and provide service to an access terminal that is in communication with, or is tuned to the HDR radio network.

INTERNATIONAL SEARCH REPORT

International Application No
PCT/US 01/19250

A. CLASSIFICATION OF SUBJECT MATTER
IPC 7 H04Q7/22

According to International Patent Classification (IPC) or to both national classification and IPC

B. FIELDS SEARCHED

Minimum documentation searched (classification system followed by classification symbols)
IPC 7 H04Q

Documentation searched other than minimum documentation to the extent that such documents are included in the fields searched

Electronic data base consulted during the international search (name of data base and, where practical, search terms used)

EPO-Internal, WPI Data

C. DOCUMENTS CONSIDERED TO BE RELEVANT

| Category * | Citation of document, with indication, where appropriate, of the relevant passages | Relevant to claim No. |
|------------|--|-----------------------|
| A | WO 00 05907 A (NORTEL NETWORKS CORP) 3 February 2000 (2000-02-03) page 9, line 1 -page 16, line 6 --- | 1,20-22, 26 |
| A | US 5 978 685 A (LAIHO KEIJO) 2 November 1999 (1999-11-02) the whole document --- | 1,20-22, 26 |
| A | EP 0 851 703 A (AT & T WIRELESS SERVICES INC) 1 July 1998 (1998-07-01) the whole document --- | 1,20-22, 26 |
| A | EP 0 514 360 A (ERICSSON TELEFON AB L M) 19 November 1992 (1992-11-19) abstract ----- | 1,20-22, 26 |

Further documents are listed in the continuation of box C.

Patent family members are listed in annex.

* Special categories of cited documents :

- *A* document defining the general state of the art which is not considered to be of particular relevance
- *E* earlier document but published on or after the international filing date
- *L* document which may throw doubts on priority claim(s) or which is cited to establish the publication date of another citation or other special reason (as specified)
- *O* document referring to an oral disclosure, use, exhibition or other means
- *P* document published prior to the international filing date but later than the priority date claimed

- *T* later document published after the international filing date or priority date and not in conflict with the application but cited to understand the principle or theory underlying the invention
- *X* document of particular relevance: the claimed invention cannot be considered novel or cannot be considered to involve an inventive step when the document is taken alone
- *Y* document of particular relevance: the claimed invention cannot be considered to involve an inventive step when the document is combined with one or more other such documents, such combination being obvious to a person skilled in the art.
- *Z* document member of the same patent family

Date of the actual completion of the international search

25 March 2002

Date of mailing of the international search report

03/04/2002

Name and mailing address of the ISA

European Patent Office, P.B. 5818 Patentlaan 2
NL - 2280 HV Rijswijk
Tel. (+31-70) 340-2040, Tx. 31 651 epo nl,
Fax: (+31-70) 340-3016

Authorized officer

Baas, G

INTERNATIONAL SEARCH REPORT

Information on patent family members

| |
|---|
| International Application No PCT/US 01/19250 |
|---|

| Patent document cited in search report | A | Publication date | Patent family member(s) | Publication date |
|--|---|------------------|-------------------------|------------------|
| WO 0005907 | A | 03-02-2000 | AU 4792499 | 14-02-2000 |
| | | | EP 1145571 | 17-10-2001 |
| | | | WO 0005907 | 03-02-2000 |
| | | | | |
| US 5978685 | A | 02-11-1999 | AU 1896799 | 05-07-1999 |
| | | | CA 2314103 | 24-06-1999 |
| | | | WO 9931906 | 24-06-1999 |
| | | | US 6061572 | 09-05-2000 |
| | | | | |
| EP 0851703 | A | 01-07-1998 | US 6230009 | 08-05-2001 |
| | | | BR 9706410 | 06-04-1999 |
| | | | CA 2221854 | 27-06-1998 |
| | | | EP 0851703 | 01-07-1998 |
| | | | JP 10257187 | 25-09-1998 |
| | | | NO 975936 | 29-06-1998 |
| | | | US 2001004593 | 21-06-2001 |
| | | | | |
| EP 0514360 | A | 19-11-1992 | DE 69225925 | 23-07-1998 |
| | | | DE 69225925 | 22-10-1998 |
| | | | EP 0514360 | 19-11-1992 |
| | | | JP 3046450 | 29-05-2000 |
| | | | JP 6164487 | 10-06-1994 |
| | | | US 5541976 | 30-07-1996 |
| | | | US 5950128 | 07-09-1999 |