



US00D794897S

(12) **United States Design Patent** (10) **Patent No.:** **US D794,897 S**
Dyer et al. (45) **Date of Patent:** **** Aug. 15, 2017**

(54) **SHOPPING CART SHELF**

(71) Applicant: **TARGET BRANDS, INC.**,
Minneapolis, MN (US)

(72) Inventors: **Nicholas John Dyer**, Saint Paul, MN
(US); **Stacy Lee Abel**, Maple Grove,
MN (US)

(73) Assignee: **Target Brands, Inc.**, Minneapolis, MN
(US)

(**) Term: **15 Years**

(21) Appl. No.: **29/565,278**

(22) Filed: **May 19, 2016**

Related U.S. Application Data

(63) Continuation of application No. 29/527,783, filed on
May 21, 2015, now Pat. No. Des. 760,464.

(51) **LOC (10) Cl.** **12-02**

(52) **U.S. Cl.**
USPC **D34/27**

(58) **Field of Classification Search**

USPC D34/12-27; 280/33.991, 33.992, 33.993,
280/47.34, 47.19, 79.11, 644
CPC B62B 3/14; B62B 3/144; B62B 3/1452;
B62B 7/08

See application file for complete search history.

(56) **References Cited**

U.S. PATENT DOCUMENTS

3,494,631 A 2/1970 Kreider
4,081,205 A 3/1978 Rosenacker
4,487,134 A 12/1984 Foote
4,643,280 A 2/1987 Hensley

(Continued)

Primary Examiner — Cynthia Ramirez

(74) *Attorney, Agent, or Firm* — JoAnn M. Seaton;
Griffiths & Seaton PLLC

(57) **CLAIM**

The ornamental design for a shopping cart shelf, as shown
and described.

DESCRIPTION

This application is also related to U.S. patent application Ser.
No. 14/718,888, filed on May 21, 2015. It is understood that
any material in U.S. patent application Ser. No. 14/718,888
that is not present in this application forms no part of the
claimed design.

FIG. 1 is a front perspective view of a shopping cart shelf
showing a first embodiment of our new design;

FIG. 2 is a front view thereof;

FIG. 3 is a rear view thereof;

FIG. 4 is a right side view thereof;

FIG. 5 is a left side view thereof;

FIG. 6 is a top view thereof; and

FIG. 7 is a bottom view thereof.

FIG. 8 is a front, perspective view of the shopping cart shelf
of FIG. 1 shown with unclaimed environmental subject
matter.

FIG. 9 is a front perspective view of a shopping cart shelf
showing a second embodiment of our new design;

FIG. 10 is a front view thereof;

FIG. 11 is a rear view thereof;

FIG. 12 is a right side view thereof;

FIG. 13 is a left side view thereof;

FIG. 14 is a top view thereof; and

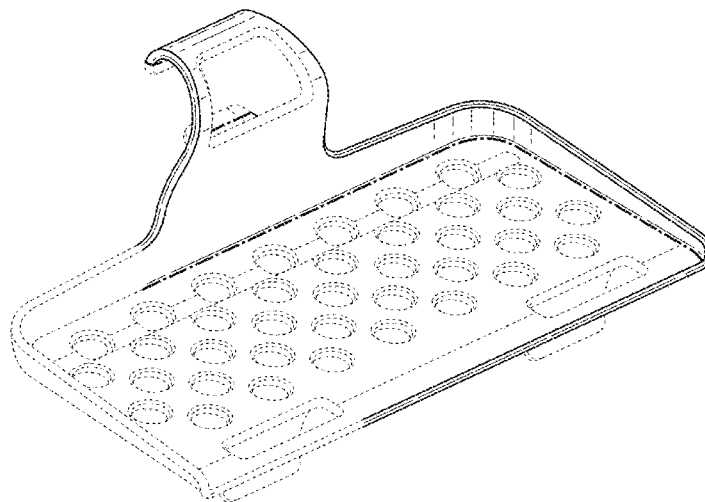
FIG. 15 is a bottom view thereof; and,

FIG. 16 is a front, perspective view of the shopping cart
shelf of FIG. 9 shown with unclaimed environmental subject
matter.

The features shown in broken lines are portions of the
shopping cart shelf or environmental subject matter to the
shopping cart shelf forming no part of the claimed design.

The features shown in long dash-short dash bolded broken
lines indicate the bounds of the claimed design and other-
wise form no part of the claimed design.

1 Claim, 10 Drawing Sheets



(56)

References Cited

U.S. PATENT DOCUMENTS

4,679,818	A	7/1987	Kakavas	
4,702,402	A	10/1987	Ferri	
4,901,901	A	2/1990	Reitenour	
4,966,318	A	10/1990	Dutka	
5,004,252	A	4/1991	Kraper	
5,072,957	A	12/1991	Graebe, Jr.	
5,182,895	A	2/1993	Lugo	
5,203,578	A	4/1993	Davidson et al.	
D340,339	S	10/1993	Kean et al.	
5,263,578	A	11/1993	Narvey	
5,417,353	A	5/1995	Stall	
5,494,308	A	2/1996	Southerland	
D368,566	S	4/1996	Glaeser	
D411,904	S	7/1999	Risholm et al.	
D440,372	S	4/2001	Williams	
D445,231	S	7/2001	Porter	
D484,664	S	12/2003	Arceta	
D492,829	S	7/2004	Babkes et al.	
6,944,981	B1	9/2005	Garberg et al.	
D523,207	S	6/2006	Tucker et al.	
D536,503	S	2/2007	Weigand et al.	
7,195,155	B2	3/2007	Garberg et al.	
D548,921	S	8/2007	Gaddy	
7,374,182	B2	5/2008	Gurley et al.	
D583,123	S	12/2008	Cassin, III	
D598,024	S	8/2009	Scott et al.	
8,077,453	B2	12/2011	Swan et al.	
8,162,331	B2	4/2012	Simonson et al.	
8,423,696	B2	4/2013	Thordarson	
D696,483	S	12/2013	Otterlee et al.	
8,690,166	B2	4/2014	Peota et al.	
D760,464	S *	6/2016	Dyer	D34/27
2002/0084628	A1	7/2002	Van Horn et al.	
2007/0273113	A1	11/2007	Muir	

* cited by examiner

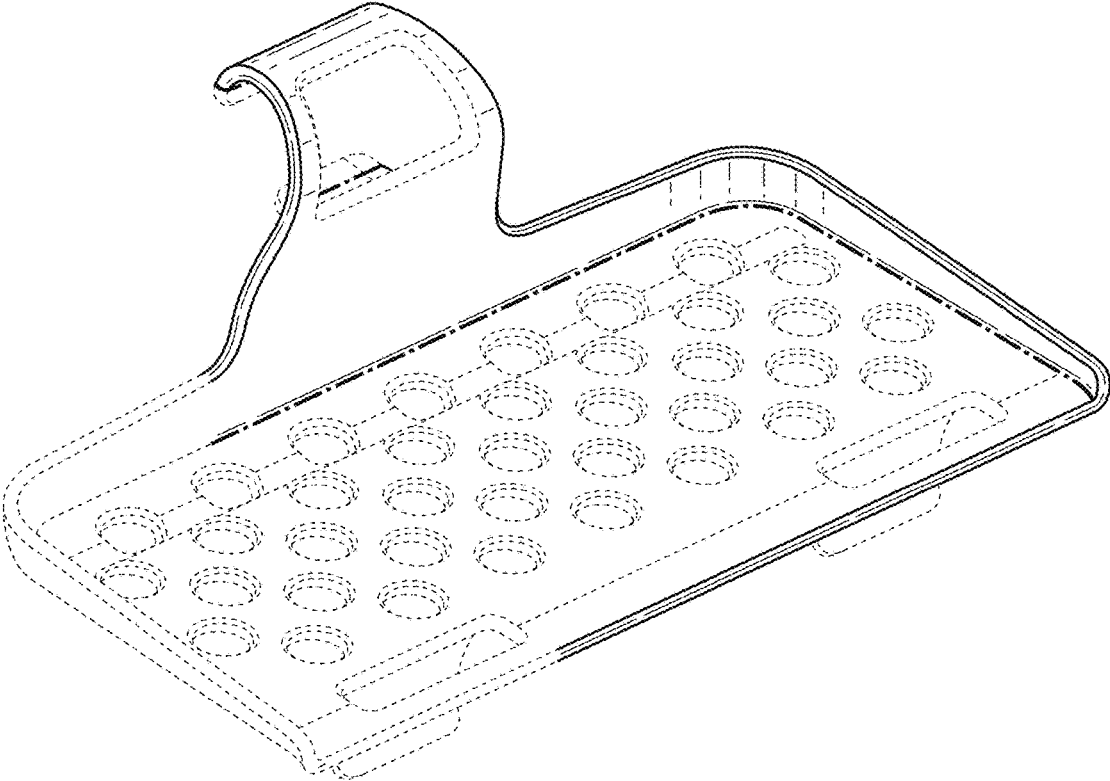


FIG. 1

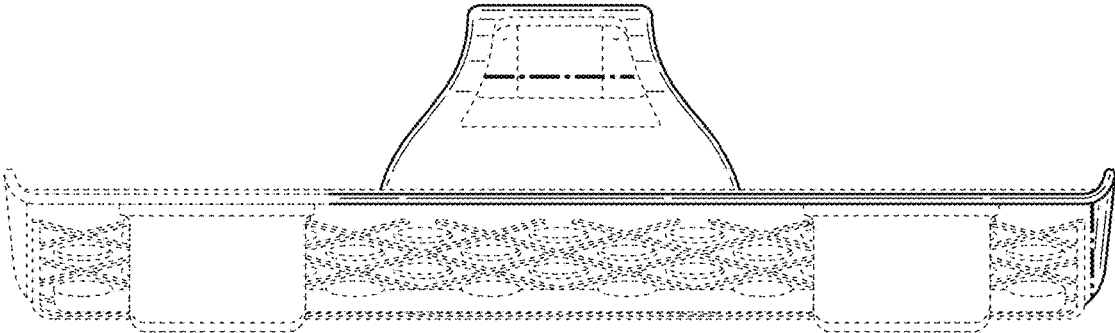


FIG. 2

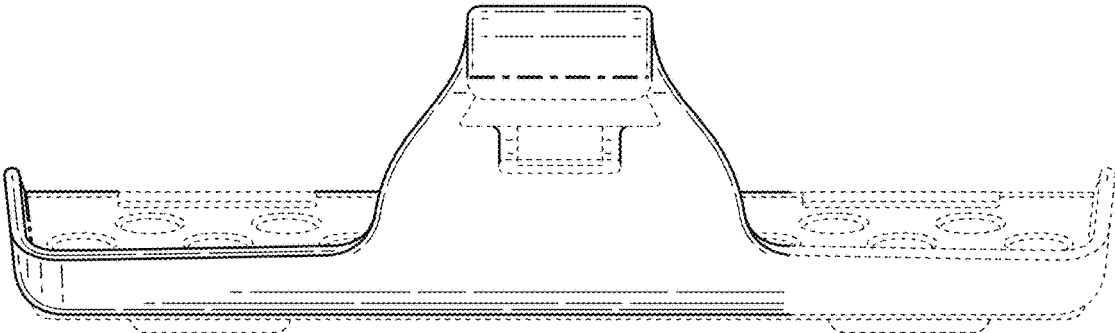


FIG. 3

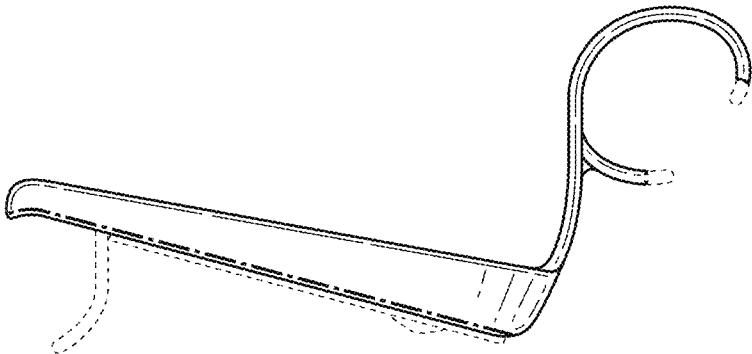


FIG. 4

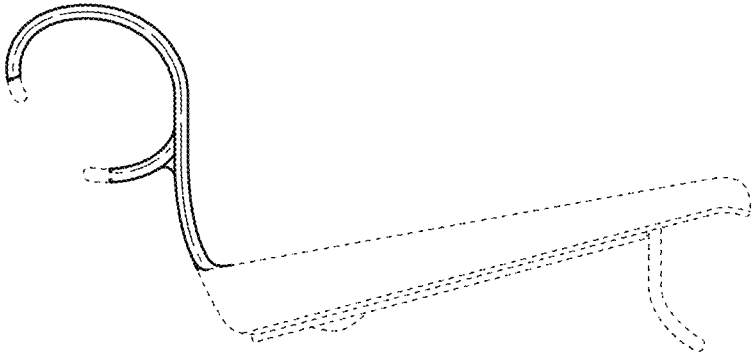


FIG. 5

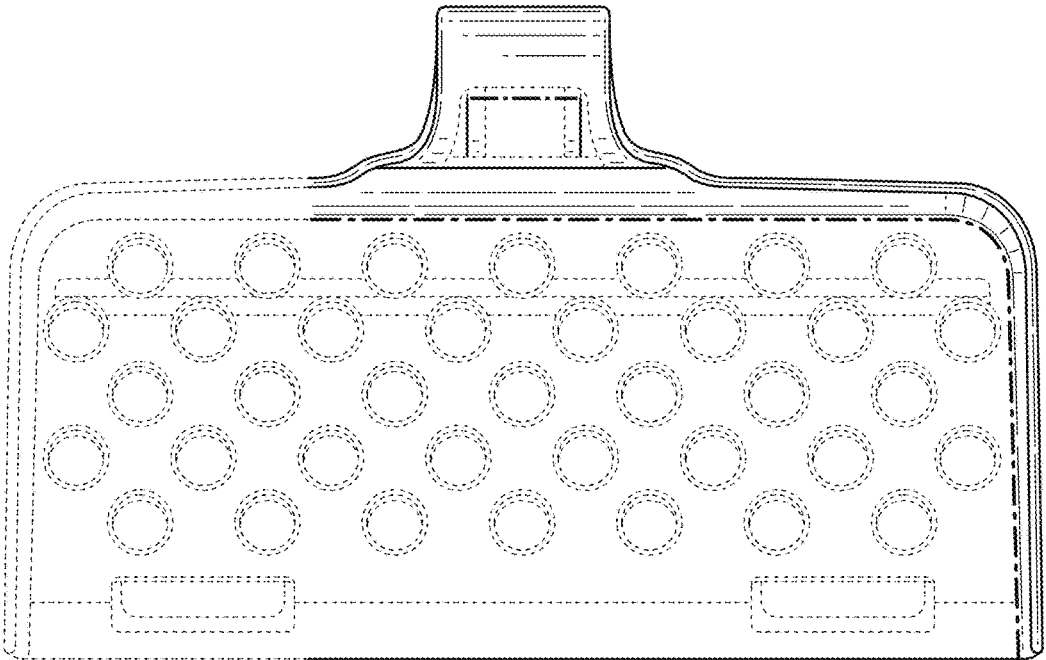


FIG. 6

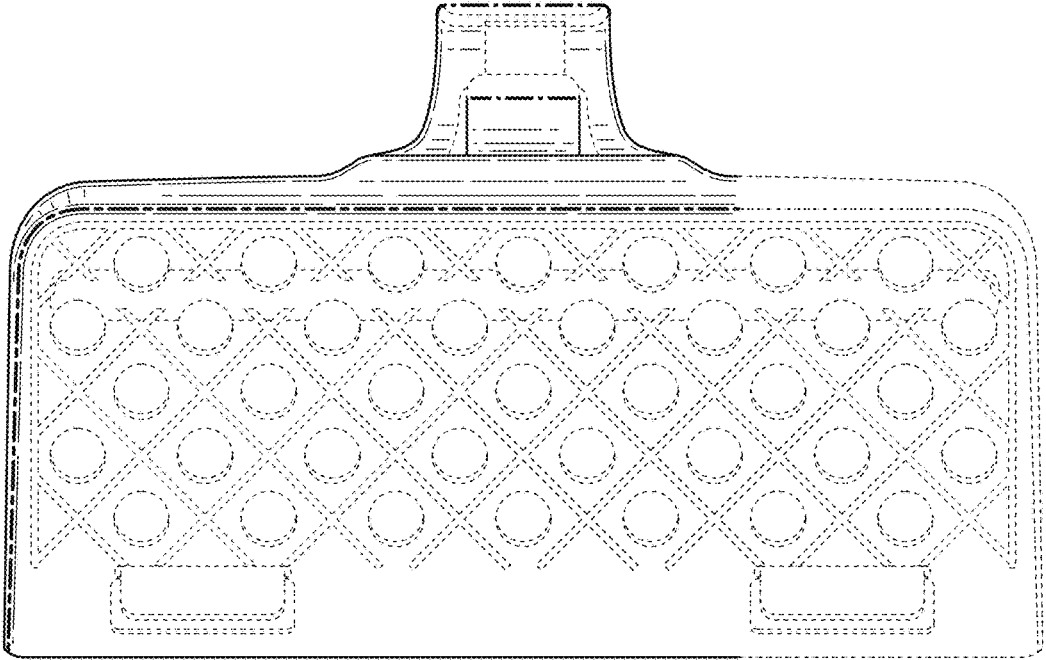


FIG. 7

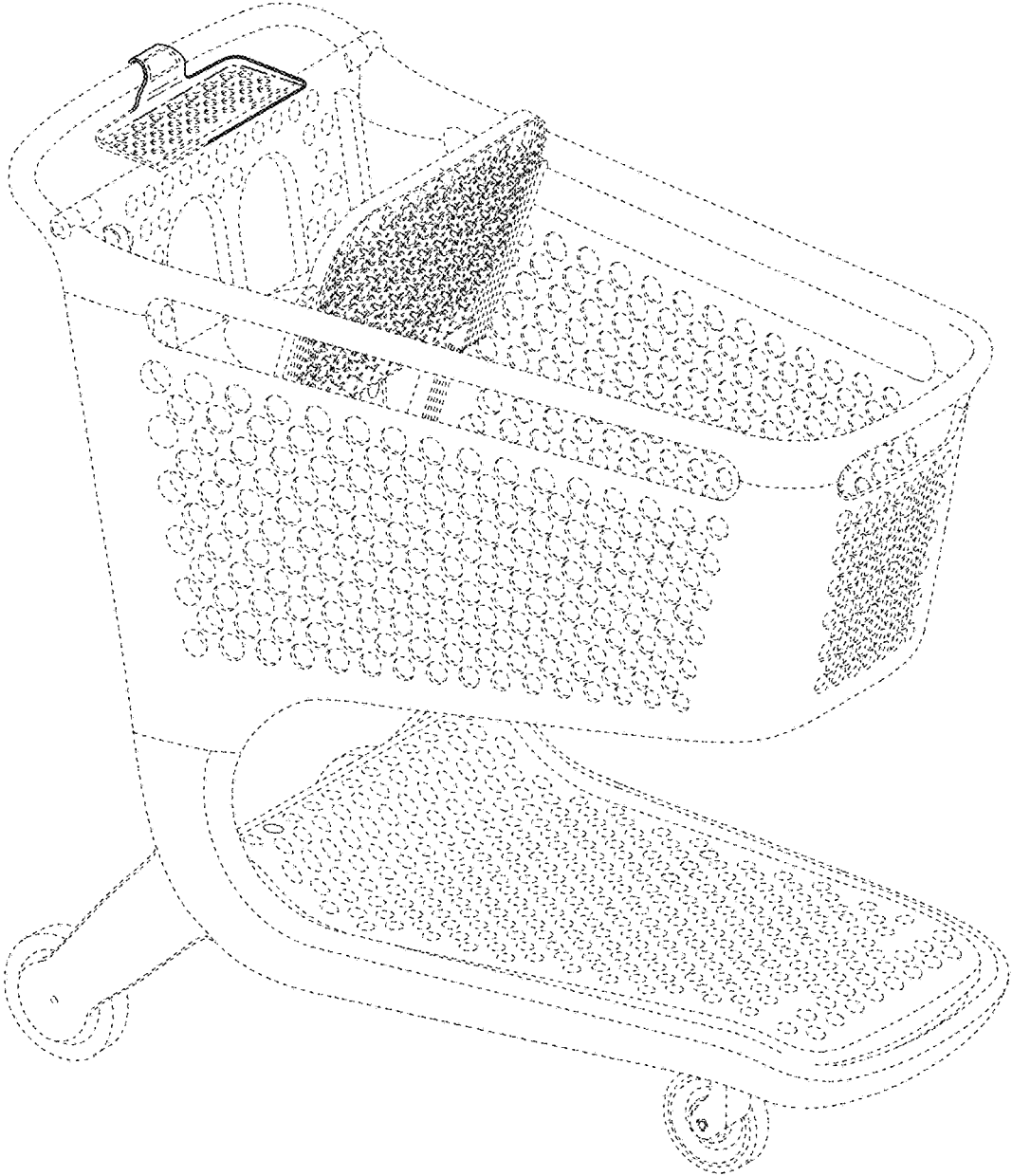


FIG. 8

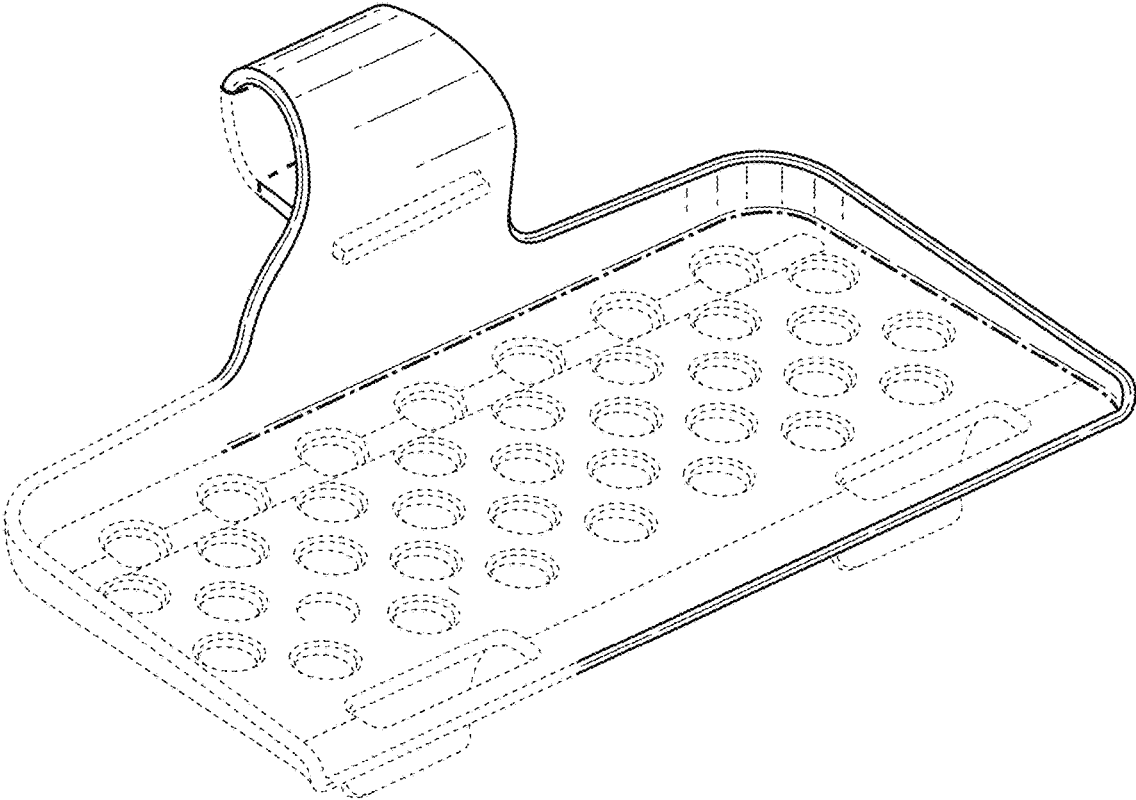


FIG. 9

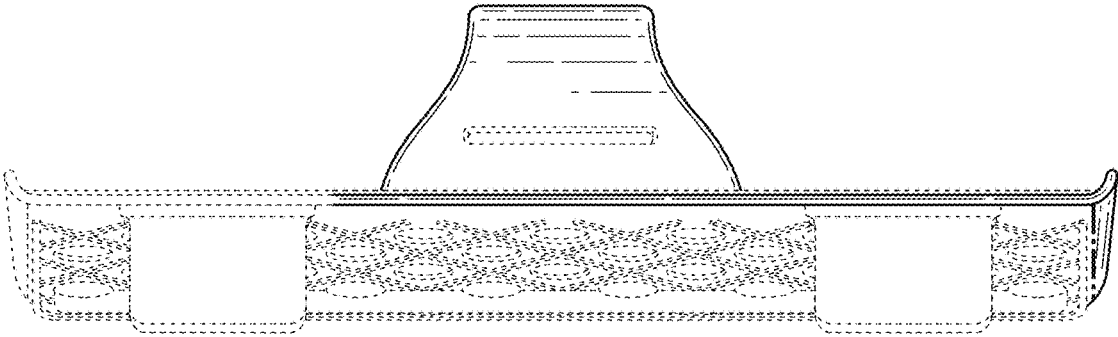


FIG. 10

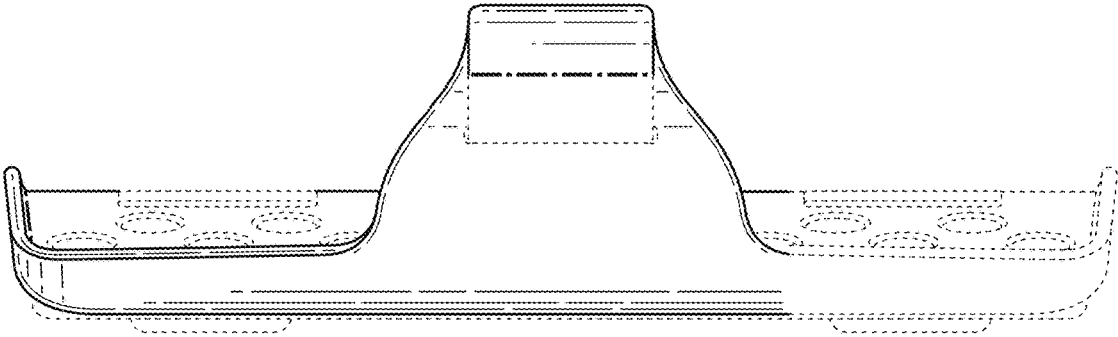


FIG. 11

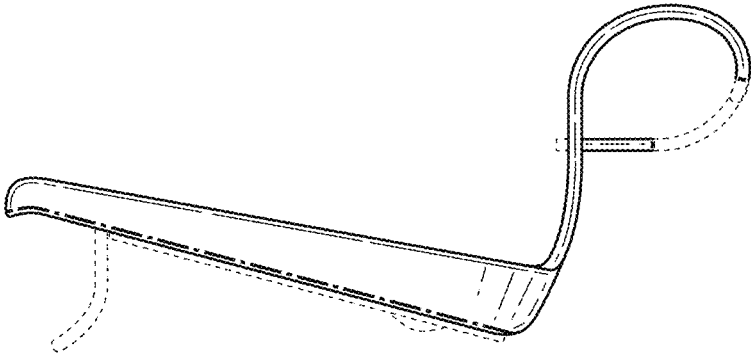


FIG. 12

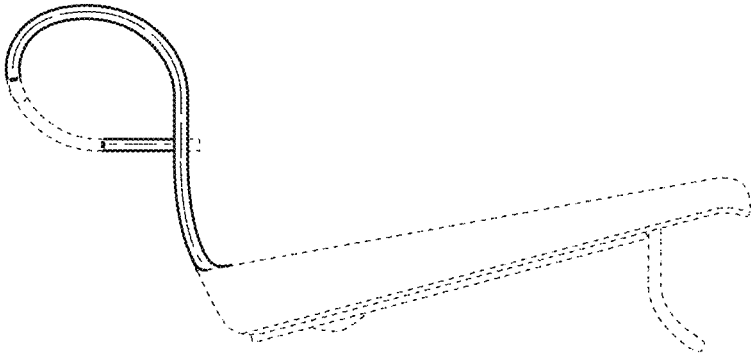


FIG. 13

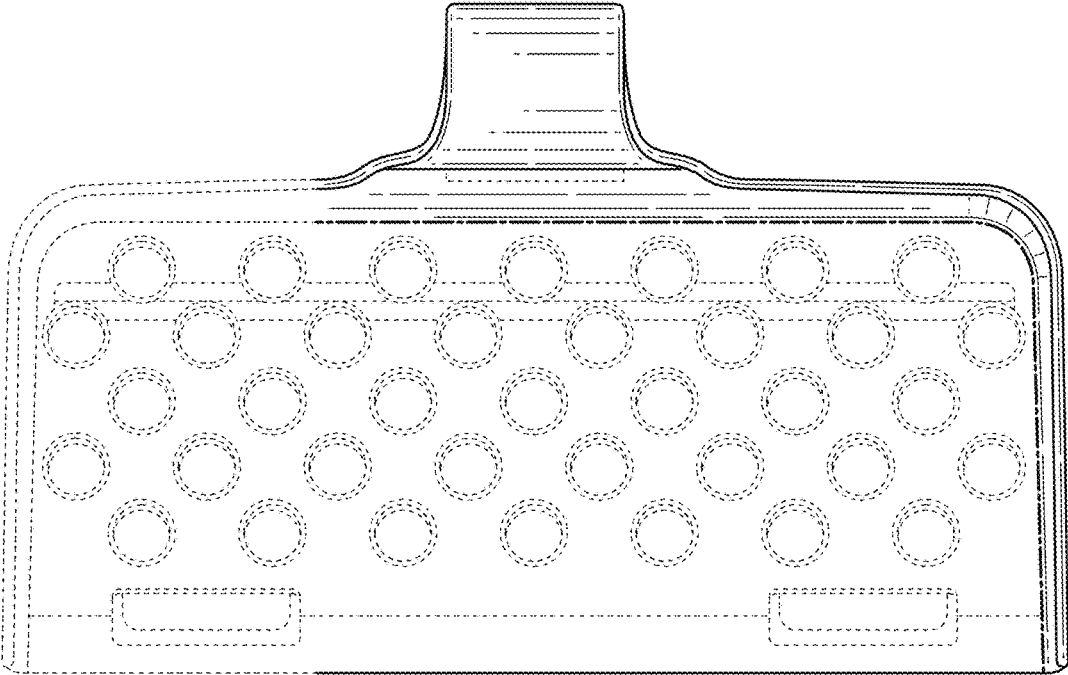


FIG. 14

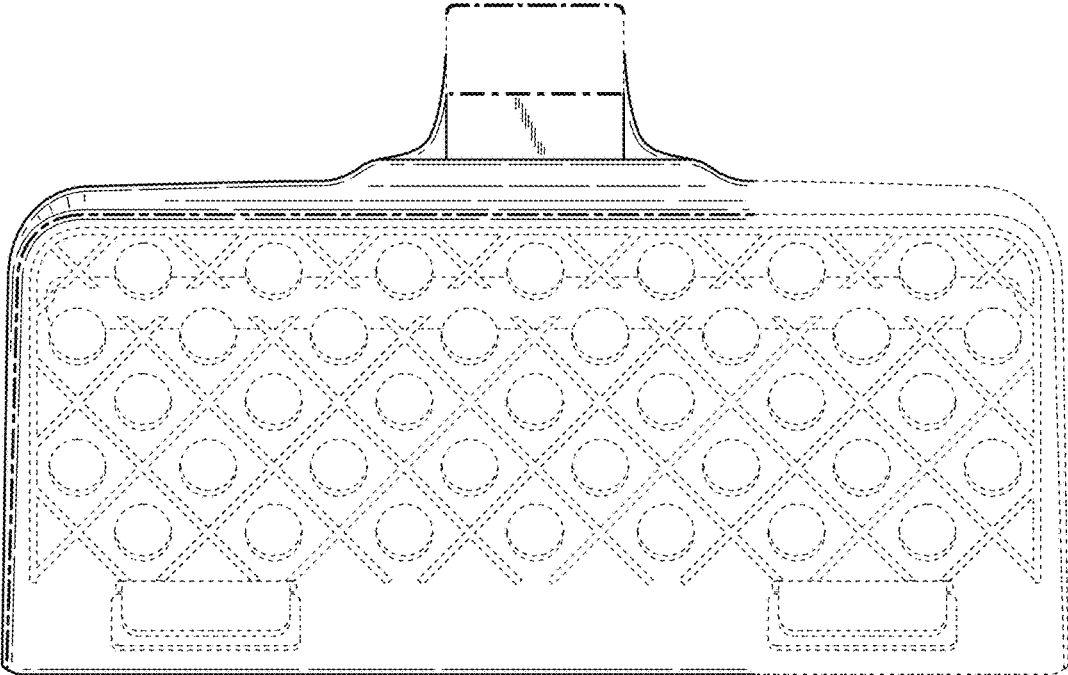


FIG. 15

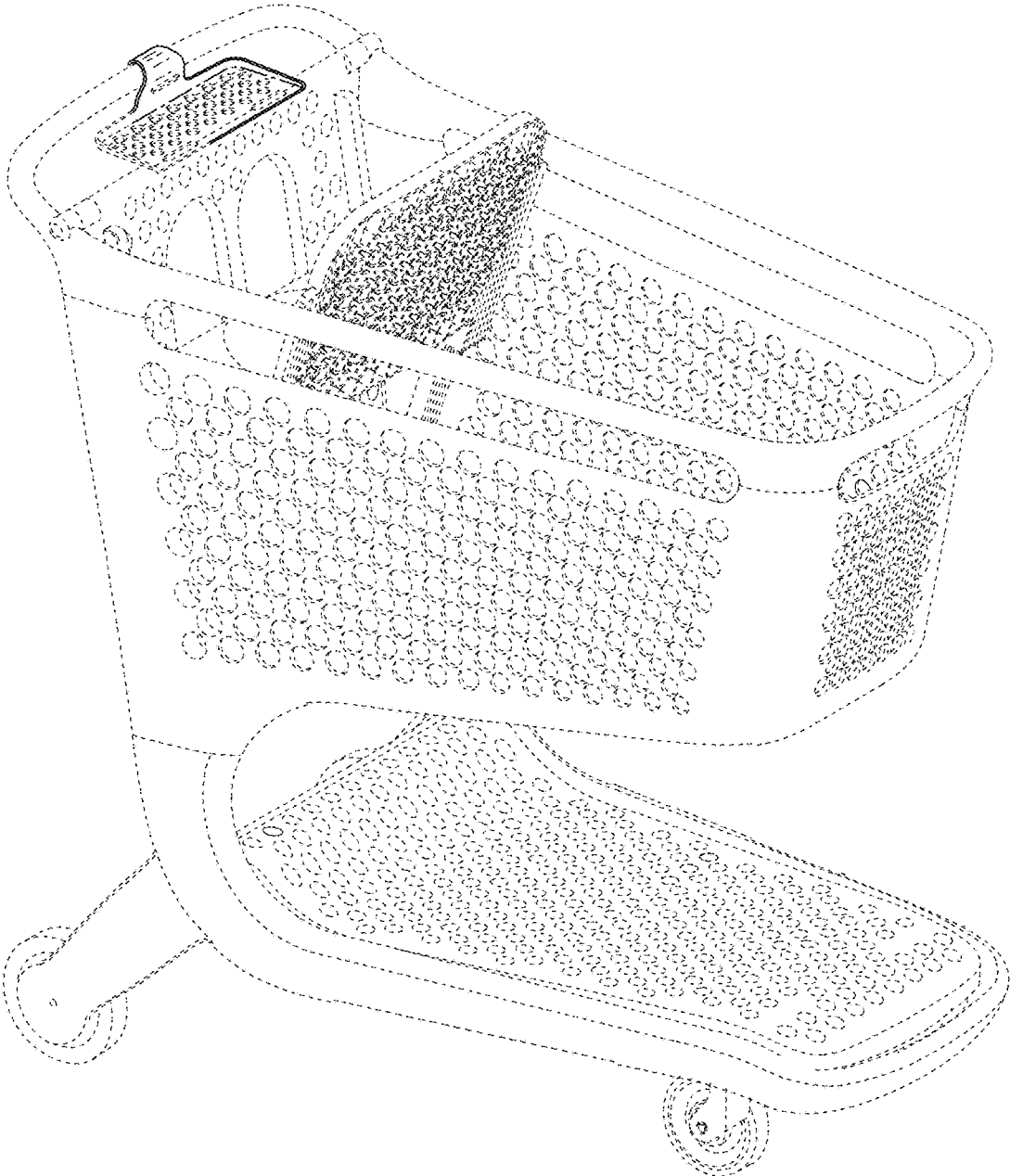


FIG. 16