

(19) World Intellectual Property
Organization
International Bureau



(43) International Publication Date
2 September 2004 (02.09.2004)

PCT

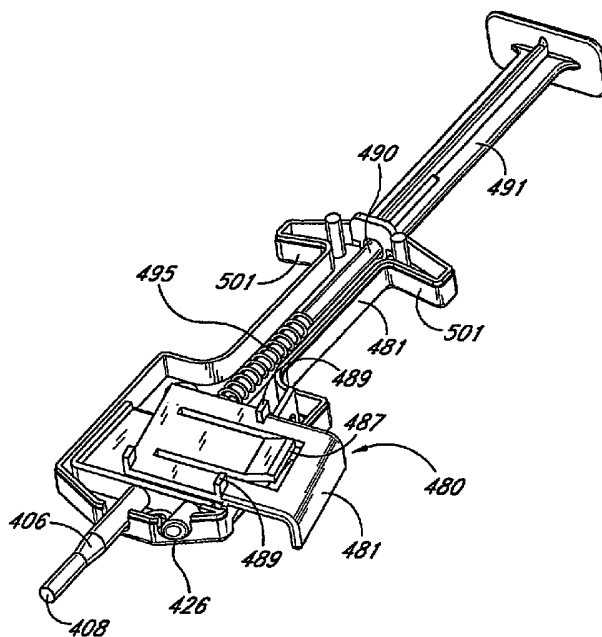
(10) International Publication Number
WO 2004/073560 A3

- (51) International Patent Classification⁷: **A61F 2/16** (US). NGUYEN, Tuan [US/US]; 2418 E. Karan Lane, Orange, CA 92869 (US).
- (21) International Application Number: PCT/US2004/004033 (74) Agent: ALTMAN, Daniel, E.; Knobbe, Martens, Olson And Bear, LLP, 2040 Main Street, Fourteenth Floor, Irvine, CA 92614 (US).
- (22) International Filing Date: 11 February 2004 (11.02.2004) (81) Designated States (unless otherwise indicated, for every kind of national protection available): AE, AG, AL, AM, AT, AU, AZ, BA, BB, BG, BR, BW, BY, BZ, CA, CH, CN, CO, CR, CU, CZ, DE, DK, DM, DZ, EC, EE, EG, ES, FI, GB, GD, GE, GH, GM, HR, HU, ID, IL, IN, IS, JP, KE, KG, KP, KR, KZ, LC, LK, LR, LS, LT, LU, LV, MA, MD, MG, MK, MN, MW, MX, MZ, NA, NI, NO, NZ, OM, PG, PH, PL, PT, RO, RU, SC, SD, SE, SG, SK, SL, SY, TJ, TM, TN, TR, TT, TZ, UA, UG, US, UZ, VC, VN, YU, ZA, ZM, ZW.
- (25) Filing Language: English
- (26) Publication Language: English
- (30) Priority Data:

60/448,190	14 February 2003 (14.02.2003)	US
10/637,376	8 August 2003 (08.08.2003)	US
- (71) Applicants (for all designated States except US): VISIO-GEN INC. [US/US]; 4 Jenner Street, Suite 180, Irvine, CA 92618 (US). AYTON, Ian [US/US]; 2851 Old Calzada Avenue, Santa Ynez, CA 93460 (US).
- (72) Inventors; and
- (75) Inventors/Applicants (for US only): EVANS, Scott [US/US]; 1252 Country Hills Drive, Santa Ana, CA 92705
- (84) Designated States (unless otherwise indicated, for every kind of regional protection available): ARIPO (BW, GH, GM, KE, LS, MW, MZ, SD, SL, SZ, TZ, UG, ZM, ZW), Eurasian (AM, AZ, BY, KG, KZ, MD, RU, TJ, TM), European (AT, BE, BG, CH, CY, CZ, DE, DK, EE, ES, FI, FR, GB, GR, HU, IE, IT, LU, MC, NL, PT, RO, SE, SI, SK,

[Continued on next page]

(54) Title: METHOD AND DEVICE FOR COMPACTING AN INTRAOCULAR LENS



(57) Abstract: Disclosed is an apparatus for compacting an intraocular lens. The apparatus comprises a lens compactor having a first configuration for retaining the intraocular lens in an unstressed condition and a second configuration in which the compactor stresses the lens into an at least partially compacted condition without advancing the lens along an injection axis of the compactor. The compactor accomplishes this by applying a compacting force in a direction generally orthogonal to the optical axis of the lens. The compactor is responsive to a compactor actuator that is movable by a user to change the compactor from the first configuration to the second configuration. Additional apparatus and methods are disclosed as well.

WO 2004/073560 A3



TR), OAPI (BF, BJ, CF, CG, CI, CM, GA, GN, GQ, GW, ML, MR, NE, SN, TD, TG).

Published:

- *with international search report*
- *before the expiration of the time limit for amending the claims and to be republished in the event of receipt of amendments*

(88) Date of publication of the international search report:

7 July 2005

(15) Information about Correction:

Previous Correction:

see PCT Gazette No. 42/2004 of 14 October 2004, Section II

For two-letter codes and other abbreviations, refer to the "Guidance Notes on Codes and Abbreviations" appearing at the beginning of each regular issue of the PCT Gazette.

INTERNATIONAL SEARCH REPORT

International Application No
PCT/US2004/004033

A. CLASSIFICATION OF SUBJECT MATTER IPC 7 A61F2/16		
According to International Patent Classification (IPC) or to both national classification and IPC		
B. FIELDS SEARCHED		
Minimum documentation searched (classification system followed by classification symbols) IPC 7 A61F		
Documentation searched other than minimum documentation to the extent that such documents are included in the fields searched		
Electronic data base consulted during the international search (name of data base and, where practical, search terms used) EPO-Internal		
C. DOCUMENTS CONSIDERED TO BE RELEVANT		
Category °	Citation of document, with indication, where appropriate, of the relevant passages	Relevant to claim No.
X	US 6 503 275 B1 (CUMMING) 7 January 2003 (2003-01-07)	1, 2, 4-6, 14, 15, 18-20, 27-29
A	the whole document	21, 24, 31
X	US 5 944 725 A (CICENAS ET AL.) 31 August 1999 (1999-08-31)	1, 2, 4-6, 14, 15
A	the whole document	18, 21, 24, 27, 31
X	US 5 772 667 A (BLAKE) 30 June 1998 (1998-06-30)	1, 2, 4-6
A		14, 21, 24, 27, 31
<input type="checkbox"/> Further documents are listed in the continuation of box C. <input checked="" type="checkbox"/> Patent family members are listed in annex.		
° Special categories of cited documents :		
"A" document defining the general state of the art which is not considered to be of particular relevance "E" earlier document but published on or after the international filing date "L" document which may throw doubts on priority claim(s) or which is cited to establish the publication date of another citation or other special reason (as specified) "O" document referring to an oral disclosure, use, exhibition or other means "P" document published prior to the international filing date but later than the priority date claimed	"T" later document published after the international filing date or priority date and not in conflict with the application but cited to understand the principle or theory underlying the invention "X" document of particular relevance; the claimed invention cannot be considered novel or cannot be considered to involve an inventive step when the document is taken alone "Y" document of particular relevance; the claimed invention cannot be considered to involve an inventive step when the document is combined with one or more other such documents, such combination being obvious to a person skilled in the art. "&" document member of the same patent family	
Date of the actual completion of the international search 28 April 2005	Date of mailing of the international search report 18/05/2005	
Name and mailing address of the ISA European Patent Office, P.B. 5818 Patentlaan 2 NL - 2280 HV Rijswijk Tel. (+31-70) 340-2040, Tx. 31 651 epo nl, Fax: (+31-70) 340-3016	Authorized officer Smith, C	

INTERNATIONAL SEARCH REPORT

International application No.
PCT/US2004/004033

Box II Observations where certain claims were found unsearchable (Continuation of item 2 of first sheet)

This International Search Report has not been established in respect of certain claims under Article 17(2)(a) for the following reasons:

1. Claims Nos.: 8-13
because they relate to subject matter not required to be searched by this Authority, namely:
Rule 39.1(iv) PCT - Method for treatment of the human or animal body by surgery
2. Claims Nos.:
because they relate to parts of the International Application that do not comply with the prescribed requirements to such an extent that no meaningful International Search can be carried out, specifically:
3. Claims Nos.:
because they are dependent claims and are not drafted in accordance with the second and third sentences of Rule 6.4(a).

Box III Observations where unity of invention is lacking (Continuation of item 3 of first sheet)

This International Searching Authority found multiple inventions in this international application, as follows:

1. As all required additional search fees were timely paid by the applicant, this International Search Report covers all searchable claims.
2. As all searchable claims could be searched without effort justifying an additional fee, this Authority did not invite payment of any additional fee.
3. As only some of the required additional search fees were timely paid by the applicant, this International Search Report covers only those claims for which fees were paid, specifically claims Nos.:
4. No required additional search fees were timely paid by the applicant. Consequently, this International Search Report is restricted to the invention first mentioned in the claims; it is covered by claims Nos.:

Remark on Protest

- The additional search fees were accompanied by the applicant's protest.
- No protest accompanied the payment of additional search fees.

INTERNATIONAL SEARCH REPORT

Information on patent family members

International Application No

PCT/US2004/004033

Patent document cited in search report	Publication date	Patent family member(s)	Publication date
US 6503275	B1	07-01-2003	AU 5201298 A 03-06-1998
			CA 2271024 A1 22-05-1998
			DE 69730751 D1 21-10-2004
			EP 1491163 A2 29-12-2004
			EP 1011561 A1 28-06-2000
			WO 9820819 A1 22-05-1998

US 5944725	A	31-08-1999	AU 737755 B2 30-08-2001
			AU 4499197 A 17-04-1998
			BR 9713477 A 11-04-2000
			CA 2266396 A1 02-04-1998
			CN 1234732 A ,C 10-11-1999
			EP 0971634 A1 19-01-2000
			JP 2001502563 T 27-02-2001
			JP 2005028161 A 03-02-2005
			WO 9812969 A1 02-04-1998
			US 6491697 B1 10-12-2002

US 5772667	A	30-06-1998	US 5643275 A 01-07-1997
			US 5468246 A 21-11-1995
			US 5425734 A 20-06-1995
