

(19) World Intellectual Property Organization  
International Bureau



(43) International Publication Date  
6 December 2001 (06.12.2001)

PCT

(10) International Publication Number  
WO 01/093079 A3

(51) International Patent Classification<sup>7</sup>: G06F 17/30

813 4th Avenue, NW, Calgary, Alberta T2N 0M9 (CA).  
MORGAN, Sean; #1110, 804-3 Avenue, Calgary, Alberta  
T2P 0G9 (CA).

(21) International Application Number: PCT/US01/17638

(22) International Filing Date: 30 May 2001 (30.05.2001)

(74) Agent: LOUIE, Michael, L.; Beyer Weaver & Thomas,  
LLP, P.O. Box 778, Berkeley, CA 94704-0778 (US).

(25) Filing Language: English

(81) Designated States (national): AE, AG, AL, AM, AT, AU,  
AZ, BA, BB, BG, BR, BY, BZ, CA, CH, CN, CR, CU, CZ,  
DE, DK, DM, DZ, EE, ES, FI, GB, GD, GE, GH, GM, HR,  
HU, ID, IL, IN, IS, JP, KE, KG, KP, KR, KZ, LC, LK, LR,  
LS, LT, LU, LV, MA, MD, MG, MK, MN, MW, MX, MZ,  
NO, NZ, PL, PT, RO, RU, SD, SE, SG, SI, SK, SL, TJ, TM,  
TR, TT, TZ, UA, UG, UZ, VN, YU, ZA, ZW.

(26) Publication Language: English

(30) Priority Data:  
60/208,682 31 May 2000 (31.05.2000) US  
09/840,848 23 April 2001 (23.04.2001) US

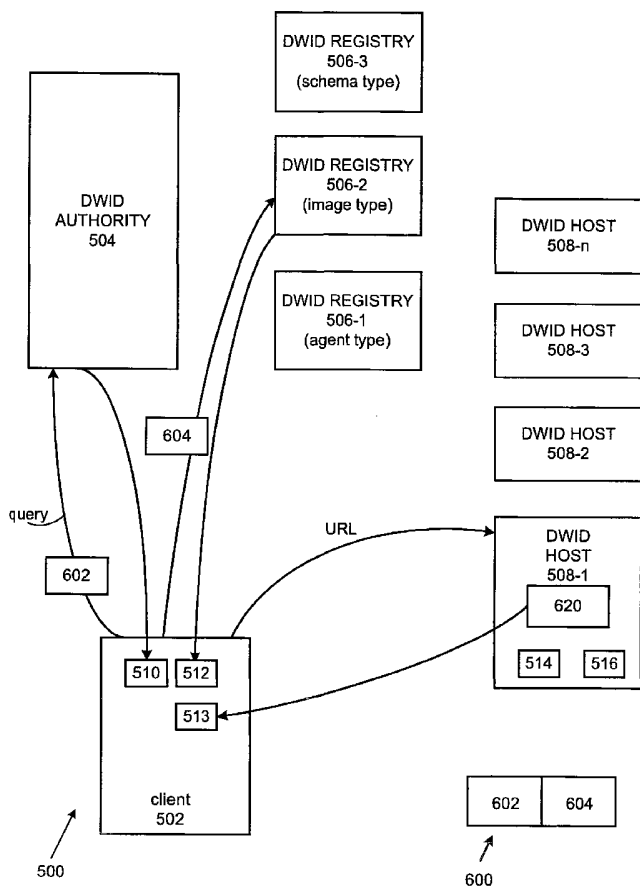
(71) Applicant: JAVIEN INC. [US/BS]; Euro Canadian Cen-  
tre, 4th Floor, Marlborough Street & Navy Lion Road, Nas-  
sau (BS).

(84) Designated States (regional): ARIPO patent (GH, GM,  
KE, LS, MW, MZ, SD, SL, SZ, TZ, UG, ZW), Eurasian  
patent (AM, AZ, BY, KG, KZ, MD, RU, TJ, TM), European  
patent (AT, BE, CH, CY, DE, DK, ES, FI, FR, GB, GR, IE,  
IT, LU, MC, NL, PT, SE, TR), OAPI patent (BF, BJ, CF,  
CG, CI, CM, GA, GN, GW, ML, MR, NE, SN, TD, TG).

(72) Inventors: MCFADZEAN, David; 224-10 A Street NW,  
Calgary, Alberta T2N 1W6 (CA). KITTLITZ, Kenneth;

[Continued on next page]

(54) Title: DATA WEB OBJECT HOST DISCOVERY SYSTEM



(57) Abstract: A system, method and apparatus for locating and accessing information resources in a distributed information network is disclosed. When an end user desires to retrieve an ID for a particular profile associated with a resource, a client program (resident on a client computer) sends an ID request in the form of an HTTP request to an ID authority server computer. In response to the ID request, the ID authority server computer returns a URL of an ID registry server computer corresponding to the requested profile type. The client program then sends a query based upon the returned domain name to the ID registry server. The ID registry server, in turn, returns a URL of an ID host server computer associated with the requested ID so, in one implementation, the client can invoke a program that is superset of the domain name. Once the client program has the location of the ID host server computer, the client program sends a request to the identified ID host server computer. The identified ID host server computer, in turn, responds by returning a list of all facets in a profile, or in some cases, one facet at a time.

WO 01/093079 A3



**Published:**

— *with international search report*

**(88) Date of publication of the international search report:**

30 October 2003

*For two-letter codes and other abbreviations, refer to the "Guidance Notes on Codes and Abbreviations" appearing at the beginning of each regular issue of the PCT Gazette.*

INTERNATIONAL SEARCH REPORT

International Application No

US 01/17638

A. CLASSIFICATION OF SUBJECT MATTER  
IPC 7 G06F17/30

According to International Patent Classification (IPC) or to both national classification and IPC

B. FIELDS SEARCHED

Minimum documentation searched (classification system followed by classification symbols)  
IPC 7 G06F

Documentation searched other than minimum documentation to the extent that such documents are included in the fields searched

Electronic data base consulted during the international search (name of data base and, where practical, search terms used)

EPO-Internal, WPI Data, PAJ, INSPEC, IBM-TDB

C. DOCUMENTS CONSIDERED TO BE RELEVANT

Category °	Citation of document, with indication, where appropriate, of the relevant passages	Relevant to claim No.
X	WO 99 39275 A (CENTRAAL CORP) 5 August 1999 (1999-08-05) page 5, line 5-33; figure 9 page 7, line 10 -page 33, line 35 ---	1-32
A	US 5 878 219 A (MACNAUGHTON BRUCE A ET AL) 2 March 1999 (1999-03-02) abstract ---	1-32
A	M.MEALING: NEW I-D: UNIFORM RESOURCE NAMES, ISO OID'S AND DNS. [Online] 27 November 1995 (1995-11-27), XP002223851 Retrieved from the Internet: <URL:www.ac1.lanl.gov/archive/url-95q4.m> [retrieved on 2003-01-20] page 1-3 --- -/--	1-32

Further documents are listed in the continuation of box C.

Patent family members are listed in annex.

° Special categories of cited documents :

- "A" document defining the general state of the art which is not considered to be of particular relevance
- "E" earlier document but published on or after the international filing date
- "L" document which may throw doubts on priority claim(s) or which is cited to establish the publication date of another citation or other special reason (as specified)
- "O" document referring to an oral disclosure, use, exhibition or other means
- "P" document published prior to the international filing date but later than the priority date claimed

- "T" later document published after the international filing date or priority date and not in conflict with the application but cited to understand the principle or theory underlying the invention
- "X" document of particular relevance; the claimed invention cannot be considered novel or cannot be considered to involve an inventive step when the document is taken alone
- "Y" document of particular relevance; the claimed invention cannot be considered to involve an inventive step when the document is combined with one or more other such documents, such combination being obvious to a person skilled in the art.
- "&" document member of the same patent family

Date of the actual completion of the international search

20 January 2003

Date of mailing of the international search report

26.06.2003

Name and mailing address of the ISA

European Patent Office, P.B. 5818 Patentlaan 2  
NL - 2280 HV Rijswijk  
Tel. (+31-70) 340-2040, Tx. 31 651 epo nl,  
Fax: (+31-70) 340-3016

Authorized officer

Bowler, A

## INTERNATIONAL SEARCH REPORT

International Application No

/US 01/17638

## C.(Continuation) DOCUMENTS CONSIDERED TO BE RELEVANT

Category °	Citation of document, with indication, where appropriate, of the relevant passages	Relevant to claim No.
A	STRUCTURAL METADAT DICTIONARY FOR LC DIGITAL OBJECTS, [Online] 12 September 1997 (1997-09-12), XP002223852 Retrieved from the Internet: <URL:www.memory.loc.gov/ammem/techdocs/rep ository> [retrieved on 2003-01-09] page 1-3 ---	1-32
A	WO 00 13110 A (SUN MICROSYSTEMS INC) 9 March 2000 (2000-03-09) page 4, line 31 -page 5, line 19 ---	1,19
P,X	WO 00 57611 A (NETWORK SOLUTIONS INC) 28 September 2000 (2000-09-28) page 2, line 18 -page 3, line 9; figure 1 ---	1,19
P,X	WO 01 14985 A (WEB2P INC) 1 March 2001 (2001-03-01) page 17, line 10 -page 18, line 22; figure 4 -----	1,19

# INTERNATIONAL SEARCH REPORT

International application No.  
PCT/US 01/17638

## Box I Observations where certain claims were found unsearchable (Continuation of item 1 of first sheet)

This International Search Report has not been established in respect of certain claims under Article 17(2)(a) for the following reasons:

1.  Claims Nos.:  
because they relate to subject matter not required to be searched by this Authority, namely:
  
2.  Claims Nos.:  
because they relate to parts of the International Application that do not comply with the prescribed requirements to such an extent that no meaningful International Search can be carried out, specifically:
  
3.  Claims Nos.:  
because they are dependent claims and are not drafted in accordance with the second and third sentences of Rule 6.4(a).

## Box II Observations where unity of invention is lacking (Continuation of item 2 of first sheet)

This International Searching Authority found multiple inventions in this international application, as follows:

see additional sheet

1.  As all required additional search fees were timely paid by the applicant, this International Search Report covers all searchable claims.
  
2.  As all searchable claims could be searched without effort justifying an additional fee, this Authority did not invite payment of any additional fee.
  
3.  As only some of the required additional search fees were timely paid by the applicant, this International Search Report covers only those claims for which fees were paid, specifically claims Nos.:
  
4.  No required additional search fees were timely paid by the applicant. Consequently, this International Search Report is restricted to the invention first mentioned in the claims; it is covered by claims Nos.:

1-32

### Remark on Protest

- The additional search fees were accompanied by the applicant's protest.
- No protest accompanied the payment of additional search fees.

FURTHER INFORMATION CONTINUED FROM PCT/ISA/ 210

This International Searching Authority found multiple (groups of) inventions in this international application, as follows:

1. Claims: 1-32

A computer based communication system for requesting and retrieving an information resource.


2. Claims: 33-42

A method of paying a toll associated with a resource.

## INTERNATIONAL SEARCH REPORT

Information on patent family members

International Application No

 /US 01/17638

Patent document cited in search report		Publication date	Patent family member(s)	Publication date
WO 9939275	A	05-08-1999	US 6151624 A	21-11-2000
			AU 2491599 A	16-08-1999
			CA 2319501 A1	05-08-1999
			EP 1066568 A1	10-01-2001
			JP 2002502071 T	22-01-2002
			TW 468106 B	11-12-2001
			WO 9939275 A1	05-08-1999
			ZA 9900772 A	02-11-1999
-----				
US 5878219	A	02-03-1999	AU 2205897 A	01-10-1997
			WO 9734244 A1	18-09-1997
-----				
WO 0013110	A	09-03-2000	US 6212565 B1	03-04-2001
			AU 5697399 A	21-03-2000
			EP 1105820 A1	13-06-2001
			JP 2002523838 T	30-07-2002
			WO 0013110 A1	09-03-2000
			US 2001027492 A1	04-10-2001
-----				
WO 0057611	A	28-09-2000	AU 3751600 A	09-10-2000
			AU 4714800 A	09-10-2000
			WO 0057611 A2	28-09-2000
			WO 0057298 A2	28-09-2000
-----				
WO 0114985	A	01-03-2001	AU 6511500 A	19-03-2001
			WO 0114985 A1	01-03-2001
-----				