

(19) World Intellectual Property
Organization
International Bureau



(43) International Publication Date
8 April 2004 (08.04.2004)

PCT

(10) International Publication Number
WO 2004/028594 A1

(51) International Patent Classification⁷: **A61M 1/16**

N. Topanga Canyon Blvd., Topanga, CA 90290 (US).
WESCOTT, Mark; 22790 Cardinal Street, Grand Terrace, CA 92313 (US).

(21) International Application Number:
PCT/US2003/031014

(22) International Filing Date:
24 September 2003 (24.09.2003)

(74) Agents: **REAGEN, Joseph** et al.; Baxter Healthcare Corporation, One Baxter Parkway, DF3-3E, Deerfield, IL 60015 (US).

(25) Filing Language: English

(26) Publication Language: English

(30) Priority Data:
10/256,355 27 September 2002 (27.09.2002) US

(81) Designated States (*national*): AE, AG, AL, AM, AT, AU, AZ, BA, BB, BG, BR, BY, BZ, CA, CH, CN, CO, CR, CU, CZ, DE, DK, DM, DZ, EC, EE, EG, ES, FI, GB, GD, GE, GH, GM, HR, HU, ID, IL, IN, IS, JP, KE, KG, KP, KR, KZ, LC, LK, LR, LS, LT, LU, LV, MA, MD, MG, MK, MN, MW, MX, MZ, NI, NO, NZ, OM, PG, PH, PL, PT, RO, RU, SC, SD, SE, SG, SK, SL, SY, TJ, TM, TN, TR, TT, TZ, UA, UG, UZ, VC, VN, YU, ZA, ZM, ZW.

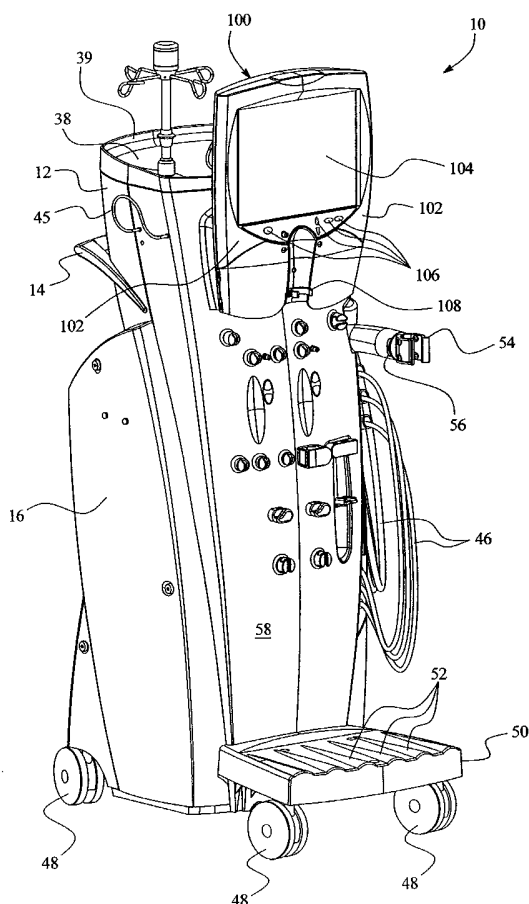
(71) Applicants: **BAXTER INTERNATIONAL INC.** [US/US]; One Baxter Parkway, DF3-3E, Deerfield, IL 60015 (US). **BAXTER HEALTHCARE S.A.** [CH/CH]; Hertistrasse 2, Wallisellen, CH-8304 Zurich (CH).

(84) Designated States (*regional*): ARIPO patent (GH, GM, KE, LS, MW, MZ, SD, SL, SZ, TZ, UG, ZM, ZW), Eurasian patent (AM, AZ, BY, KG, KZ, MD, RU, TJ, TM),

(72) Inventors: **CRUZ, Edward**; 4693 Via Don Luis, Newbury Park, CA 91320 (US). **CLAY, John, K.**; 772 1/2

[Continued on next page]

(54) Title: DIALYSIS MACHINE HAVING COMBINATION DISPLAY AND HANDLE



(57) Abstract: The present invention provides a dialysis machine that is readily moved by a patient, nurse or other operator. A display (104) is provided on the front of the machine, which displays and controls various dialysis functions. The display is robust, mounted directly to the body and includes an open area (102) that can be grasped by a person to move the entire machine. The combination display/handle enables the person to move the machine from the front of same and from odd angles with respect to the machine.

WO 2004/028594 A1



European patent (AT, BE, BG, CH, CY, CZ, DE, DK, EE, ES, FI, FR, GB, GR, HU, IE, IT, LU, MC, NL, PT, RO, SE, SI, SK, TR), OAPI patent (BF, BJ, CF, CG, CI, CM, GA, GN, GQ, GW, ML, MR, NE, SN, TD, TG).

— *before the expiration of the time limit for amending the claims and to be republished in the event of receipt of amendments*

Published:

— *with international search report*

For two-letter codes and other abbreviations, refer to the "Guidance Notes on Codes and Abbreviations" appearing at the beginning of each regular issue of the PCT Gazette.

SPECIFICATION

TITLE OF THE INVENTION

“DIALYSIS MACHINE HAVING COMBINATION DISPLAY AND HANDLE”

BACKGROUND OF THE INVENTION

5 This invention generally relates to the field of medical devices. More particularly the present invention relates to hemodialysis machines having a graphical user interface.

It is known to provide dialysis to treat kidney failure. To this end, different methods of providing dialysis have been developed.

10 One type of dialysis is hemodialysis, which removes waste from a patient's blood. Hemodialysis is performed using machines that typically include an extracorporeal blood circuit. The blood circuit includes an arterial line, a blood pump, a dialyzer and a venous line. The patient is connected to the arterial and venous lines via a catheter inserted into the patient's vein or artery. The blood pump removes blood
15 from the patient and pumps same through the arterial line to an inlet or blood side of the membrane in the dialyzer. The dialyzer typically includes a semipermeable membrane that separates waste components, such as toxins and excess water from the patient's blood.

A separate pump is provided that pumps dialysate through a dialysate side of
20 the membrane of the dialyzer. The waste components flow from the blood across the membrane to the dialysate. A large amount of dialysate, for example about one hundred twenty liters, is used to dialyze the blood during a single hemodialysis therapy. The membrane is designed to prevent waste components from flowing from the dialysate back to the patient's blood. The blood pump returns the blood from the
25 dialyzer to the patient via the venous line. The spent dialysate is then discarded. Hemodialysis treatment lasts several hours and is generally performed in a treatment center about three or four times per week.

Another type of dialysis is peritoneal dialysis. Peritoneal dialysis is preformed
30 using a device that pumps dialysate into a patient's peritoneal cavity, which is infused through a catheter implanted in the cavity. The dialysate contacts the patient's peritoneal membrane in the peritoneal cavity. Waste, toxins and excess water pass

from the patient's bloodstream through the peritoneal membrane and into the dialysate due to diffusion and osmosis, i.e., an osmotic gradient that occurs across the membrane. The spent dialysate drains from the patient's peritoneal cavity, removing the waste, toxins and excess water from the patient. This cycle is repeated.

5 Dialysis machines generally have controls that regulate the operation of the machine. Older machines used electromechanical buttons and switches to control valves, pump motors, etc., and mechanical gauges to display therapy parameters, such as temperature, pressure, flowrate, etc. These controls are labor intensive and prone, due to their mechanical nature, to inaccuracy and failure.

10 Newer dialysis machines have used a video monitor to display therapy parameters. Certain machines combine the video monitor with a touch screen so that the inputs and therapy displays are provided on a single display or graphical user interface ("GUI"). Some GUI's also incorporate mechanical or hard keys for redundancy or for simplicity. GUI's enable the patient, nurse or other operator to
15 interact with the machine and adjust machine operation or treatment parameters, e.g., pump rates, dialysate and blood temperature, flow rate, pressure, etc.

 Modern GUI's include a host microprocessor that controls the operation of the major components of the machine. When the patient or nurse wishes to change a treatment parameter, the person touches a symbol on the GUI corresponding to the
20 parameter, wherein a menu, for example, is provided to scroll up or down or to key in a value. A verification step can be provided, wherein the patient or nurse confirms the parameter change.

 Because the GUI is the focus of attention for a dialysis machine, its location, ease of use, reliability and durability are paramount to the success of the machine and
25 to providing proper therapy. A constant struggle exists between providing multiple options to the user through software improvements and keeping the machine simple to use for both patients, caregivers, nurses and other persons.

 One problem with displays both old and new is that they are visible and usable from only one position, typically the front of the machine. Devices have been
30 provided that allow the displays to be rotated and moved in multiple directions. These systems are labor intensive and typically require loosening and fastening a locking mechanism to move the display. While this type of system is operable by a person

with two hands free and positioned in front of the machine, a patient lying in a bed or a nurse with one hand busy may find adjusting a locking mechanism and articulating the display to be cumbersome.

A need therefore exists for an improved dialysis machine that enables the
5 display to be easily moved and positioned.

SUMMARY OF THE INVENTION

The present invention provides an improved dialysis machine. As used herein, “dialysis machine” refers to machines that can provide dialysis to a patient including
10 hemodialysis machines, peritoneal dialysis machines and hemofiltration machines and combinations thereof. The dialysis machine houses the various components needed to perform the type of dialysis for which the machine has been designed. For example, the machine includes at least one pump for pumping blood and/or dialysate. The machine includes a number of tubes for transferring either blood to or from a patient’s
15 body or dialysate to a dialyzer or to the patient’s peritoneal cavity.

The dialysis machine includes one or more devices that enable the machine to be readily moved. In an embodiment, the machine is coupled to a plurality of rollers. The rollers are mounted to the body of the machine. The machine can also include a base that extends from the body wherein one or more of the rollers couples to the base,
20 so as to provide a wider footprint and a more stable foundation for the moveable dialysis machine. The dialysis machine in an embodiment therefore rolls upon being pushed or pulled by a patient, nurse or other operator. The base can also have channels or other contours that funnel fluid that spills onto the base to a location wherein the fluid can be readily cleaned from the machine.

25 The body of the machine defines at least one cavity that houses a functional component for dialysis therapy. For example, the body can define a cavity housing tubing bulkheads that orient the tubes in a desired direction so that they are biased to extend from the device in a desired direction. A cavity can be provided for holding containers of dialysate or other types of fluids necessary to perform the specified type
30 of dialysis. Further, one or more arms extends from the body of the machine, wherein

the arm can for example clutch and grasp, hold or support a container or other type of item.

The body includes multiple panels that provide multiple accessways to the interior of the body. The machine further includes at least one handle attached to the body that enables a patient or nurse to grasp and move the machine. In an embodiment, a handle attaches to both sides of the body and extends towards the back of the machine, providing a rigid and strong handle.

A display or graphical user interface ("GUI") extends outward from the front of the body of the machine. The display includes a video monitor that displays various parameters of the therapy, such as the portion of the therapy that is currently being provided, the amount of solution provided or any other type of therapy parameter. The display further includes one or more electromechanical buttons, dials, knobs or other type of electromechanical input device. The display also includes an open area that does not have any control apparatus. This area is suitable for being grasped, pushed/pulled and moved by a patient or nurse. The display is mounted directly to the body via a mount that is sturdy and rigid enough to enable the patient or nurse to move the machine by moving the display. The display of the present invention therefore also acts as a handle.

The display also includes a chart holder, which in an embodiment is a bent wire or thin metal or plastic rod that extends from the back of the display. A lower portion of the back of the display, below the chart holder, couples directly to the front of the body.

The combination handle and display provides a number of advantages. One advantage provided by the combination display and handle of the present invention is that the dialysis machine can be moved without having to walk behind the machine and push the machine so that the display is in a desired location.

Another advantage of the combination display and handle of the present invention is that it enables a patient lying in bed to grasp and move the machine while being at an odd angle with respect to the machine.

A further advantage of the combination handle and display is that it provides a display that is robust and not prone to being damaged due to contact by the patient or nurse.

Additional features and advantages of the present invention are described in, and will be apparent from, the following Detailed Description of the Invention and the figures.

BRIEF DESCRIPTION OF THE FIGURES

5 Fig. 1 illustrates a top, front and right side perspective view of an embodiment of a hemodialysis machine incorporating the combination display and handle of the present invention.

Fig. 2 illustrates a top, rear and left side perspective view thereof.

Fig. 3 illustrates a front view thereof.

10 Fig. 4 illustrates a rear view thereof.

Fig. 5 illustrates a right side view thereof.

Fig. 6 illustrates a left side view thereof.

DETAILED DESCRIPTION OF THE INVENTION

Referring now to the drawings, Figs. 1 to 6 illustrate various views of a
15 hemodialysis machine 10, which includes a body 12 and combination display and handle 100. Although a hemodialysis machine is illustrated, the present invention as noted above is not limited to use in a hemodialysis procedure or device. A handle 14 is additionally provided, which is attached to the sides of the body 12 as best seen in
Figs. 1, 2, 4, 5 and 6. Mounting the handle 14 to the sides of the body 12 provides
20 rigidity and strength not only to the handle 14 but to the overall feel when moving dialysis machine 10 via handle 14. Handle 14 is molded and contoured to provide a comfortable feel for a caregiver grabbing same and is oriented slightly upward to provide easier manipulation of machine 10.

The body 12 includes multiple accessways into the interior of the machine 10.
25 Figs. 1, 4 and 5 show a right side access panel 16. Figs. 2, 4 and 6 illustrate a left side access panel 18. Panels 16 and 18 are either hingedly openable or completely removeable to allow access to the front fluidix and the lower electronics inside body 12 of machine 10. The fluidix include the devices described above for the extracorporeal blood circuits, including the artereal line, the blood pump, the dialyzer
30 and the venus line in a hemodialysis device, and a cyclor cassette, pumps, valves, infusion line and drain line for peritoneal dialysis. Figs. 2 and 4 illustrate a lower back

side access panel 20 that is completely removable or hingedly openable to allow access to the back fluidix. Figs. 2 and 4 also illustrate a removable or hinged upper back side access panel 22 that allows access to the upper electronics. The lower back side access panel 20 also defines a cavity 24 that holds a number of containers 26 of solution, such as a disinfectant, or any other type of solution necessary for the dialysis therapy.

A cleat 28 is attached to the lower back side access panel 20. The cleat 28 provides a storage mechanism for a hose, tube, cord or other item. As illustrated in Fig. 4, besides containers 26, a number of other dialysis items 30 can be stored within cavity 24. Figs. 2 and 4 also illustrate that a power switch 32 is provided in an embodiment in a safe, out of the way location so that machine 10 is not inadvertently shut down during therapy.

The body 12 of machine 10 includes a number of additional cavities, aside from cavity 24, that aid in the attachment or configuration of various functional dialysis components. Fig. 4 for example illustrates a cavity 34 defined by upper back side access panel 22, which houses a number of cable connectors 36, such as electrical or hydraulic connectors. The cavity 34 enables the connectors 36 to be oriented downwardly so that a fluid spill onto the top 38 (Fig. 2) of the body 12 runs past and does not contact the connectors 36. The top 38 is flat and includes a rim 39 that collects spills made directly onto the top 38, for example, from bottles or containers placed on the top. Figs. 2 and 4 also illustrate that the upper back side access panel 22 defines a number of air vents 40 for heat dissipation.

Fig. 2 also illustrates a number of cavities or facets 42 and 44 that facilitate the connection of tubes 46. Tubes 46 include, for example, the arterial and venus lines for hemodialysis and the catheter lines for peritoneal dialysis. Tubes 46 also include any other tubing necessary to perform a particular type of dialysis therapy. Cavities or facets 42 and 44 enable the connection of the tubes to the body 12 to be oriented in a desired direction. For example, cavity 42 enables the tubes 46 to extend downwardly from the cavity 42. The facet 44 provides a flat surface for a number of bulkhead type connections to the tubes 46.

Figs. 1, 3, 4 and 5 illustrate a holder 45 extending from the body 12 of machine 10, above the right side access panel 16. Holder 45 is a bent metal or plastic structure in an embodiment. Holder 45 is useful for holding, supporting and storing a number of

different dialysis items. Holder 45 is particularly useful for holding, supporting and/or storing a blood pressure cuff.

The figures each illustrate that the machine 10 rolls along rollers 48. Rollers 48 rotate about an axle. The axle connects to a post that rotatably attaches to a fixed portion of the machine 10. The post allows the rollers 48 to swivel and therefore turn as well as roll. The rollers 48 in an embodiment also include locking mechanisms as is well known in the art that allow the caregiver to lock one or more of the rollers 48 and thereby lock the machine 10 at a particular location. Rear rollers 48 connect directly to a portion of the body 12. Front rollers 48 in an embodiment connect to a base 50 that extends outwardly from the front side of the body 12. Placing rollers 48 on the base 50 provides a larger footprint for the rollers, which support the entire machine 10. This helps keep machine 10 from tipping when the caregiver pushes or pulls the combined display and handle 100 or the rear facing handle 14. Base 50 also defines a number of contours 52 that divert and channel any fluid that spills onto the base 50 to a desired location for cleaning. The channels 52 aid in the cleanup of spills made in the front of machine 10.

A clamp-like dialyzer holder 54 extends from the front of the body 12 as illustrated in Figs. 1, 2, 3, 5 and 6. The dialyzer holder 54 provides a claw or clamp that allows for one handed insertion of a dialyzer for hemodialysis, or a filter, for hemofiltration, into the holder 54. The dialyzer holder 54 enables a dialyzer to be readily inserted and removed from the holder 54. Further, in some instances a dialyzer must be flipped, wherein holder 54 enables and facilitates the flipping of the dialyzer.

Dialyzer holder 54 also pivots and locks horizontally and outwardly approximately ninety degrees so as to extend from the left side access panel 18 of machine 10. If desired, holder 54 can be maintained in the sideways position or be maintained in the illustrated forward position, for example, when machine 10 is in narrow quarters. Dialyzer holder 54 includes one or more built-in tubing clips 56. Tubing clips 56 are plastic or metal and hold, support and/or store medical tubing, such as tubing running from the machine 10 to a dialyzer supported by holder 54.

A front panel 58 provides an interior space for mounting many of the components, fluidics and electronics used in machine 10. A number of lights, buttons, holders and other types of components are provided on the outside of front panel 58.

The combination display and handle 100 sits above these components on the front of machine 10.

Combination display and handle 100 includes handle portions 102 that provide an open area where no control components reside, so that the caregiver, patient, nurse
5 or other operator can grasp the display 100 at the portions 102 and move the entire machine 10 by rolling same via rollers 48. The shape of the display 100 includes forms and contours at the portions 102 that facilitate and serve as handles for grasping the display 100. Handle portions 102 and the display 100 enable the person to orientate the entire machine as opposed to unlocking a locking mechanism and moving
10 the display relative to the body 12 of the machine 10. Moving the entire machine to see the display 100 can thereby be accomplished from any position relative to the machine and with a single hand.

Display 100 includes a video monitor 104, which in an embodiment operates in conjunction with a touch screen and a touch screen controller that communicates with
15 the overall processor of the machine 10. Video monitor 104 displays various stages during the dialysis therapy, including for example the level of fluid in the patient's peritoneal cavity, in a fill or in a drain bag. Video monitor 104 also displays any other relevant dialysis parameters, such as fluid pressure, fluid flowrate, fluid temperature, whether or not one or more pumps is currently operating, or operating properly, as
20 well as other parameters.

In the case where display 100 includes a touch screen, various inputs are made directly to the video monitor 104. Display 100 also includes one or more electromechanical inputs 106 that perform verification functions, scrolling functions, display adjustment functions or any other function that is desirably controlled by an
25 electromechanical input. As illustrated perhaps most clearly by Fig. 2, display 100 includes a chart or document holder 112 that enables the operator to conveniently place charts, documents or other medical record information behind the display 100, where it is kept in a convenient place. The display/handle 100 also includes a device holder 108 (Fig. 3) for supporting a desired item, such as one or more blood tubing
30 expansion chambers.

As illustrated most clearly by side views of Figs. 5 and 6, the display 100 mounts directly to the body 12 via a sturdy and broad interface 110. Interface 110

bridges the distance between the display 100 and the body 12. Interface 110 does not extend far enough away from body 12 to cause cantilever effects as would be the case if interface 110 was thinner or longer. Interface 110 provides the stability and strength to allow a person to turn the entire machine 10 via the display 100 from the front of the machine or at odd angles with respect to the machine, such as lying next to the machine. As illustrated by Figs. 5 and 6, the thickness T of the display/handle 100 is greater than the distance between the display 100 and the body 12. This also provides for a sturdy display 100, which can withstand the force of a person grasping and moving same.

It should be understood that various changes and modifications to the presently preferred embodiments described herein will be apparent to those skilled in the art. Such changes and modifications can be made without departing from the spirit and scope of the present invention and without diminishing its intended advantages. It is therefore intended that such changes and modifications be covered by the appended claims.

CLAIMS

The invention is claimed as follows:

1. A dialysis machine comprising:
a body;
5 a plurality of tubes for transferring a fluid to and from a patient; and
a display that displays and enables control of at least one dialysis function, the
display extending from a front of the body; and
an interface that rigidly connects a backside of the display to a front side of the
body, the display being so constructed and arranged that when the display is moved the
10 body is also moved in a same direction and distance.
2. The dialysis machine of Claim 1, which includes a handle attached to the body.
3. The dialysis machine of Claim 2, wherein the handle extends from the body
15 away from a back of the body.
4. The dialysis machine of Claim 2, wherein the handle is attached to the sides of
the body.
- 20 5. The dialysis machine of Claim 1, wherein the display includes a touch screen.
6. The dialysis machine of Claim 1, wherein the display includes at least one
electromechanical input device.
- 25 7. The dialysis machine of Claim 1, which includes a chart holder attached to the
display.
8. The dialysis machine of Claim 1, wherein the body is supported by a plurality
of rollers.

30

9. The dialysis machine of Claim 1, wherein the display has a thickness and the display is spaced from the front of the body a distance less than two times the thickness.

5 10. A dialysis machine comprising:

a body;

a plurality of tubes for transferring a fluid to and from a patient attached to the body; and

10 a display that displays and enables control of at least one dialysis function, the display extending from a front of the body and including a handle allowing for a person to grasp the display and move the display and body collectively.

11. The dialysis machine of Claim 10, which includes a base extending from the body and a roller rotationally coupled to the base.

15

12. The dialysis machine of Claim 11, wherein the base extends from the front of the body.

13. The dialysis machine of Claim 11, wherein the base is contoured to channel
20 and hold fluid that spills onto the base.

14. The dialysis machine of Claim 10, wherein the body includes multiple access points to an interior of the body.

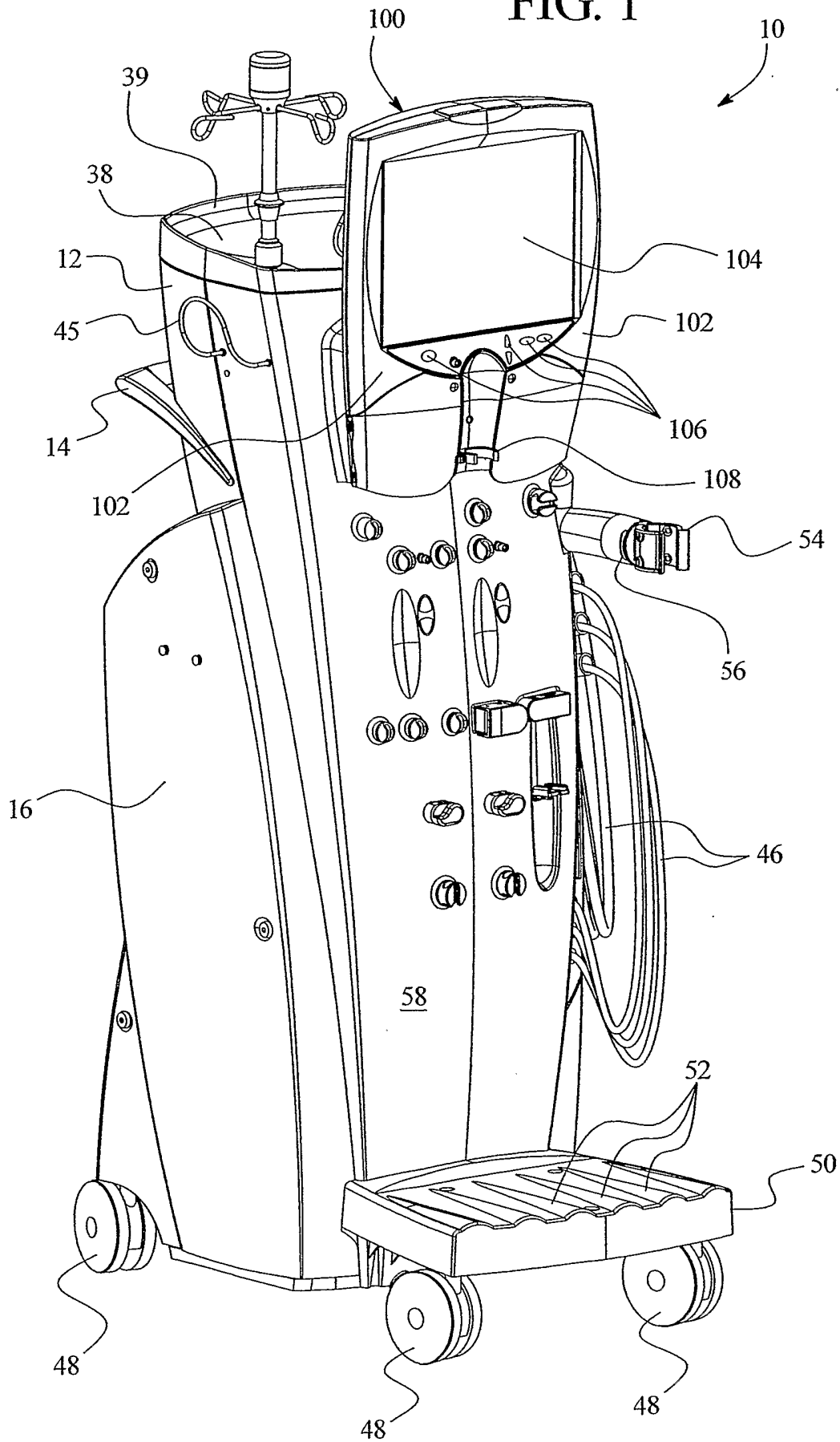
25 15. The dialysis machine of Claim 10, which includes at least one member extending from the body and supporting a dialysis component.

16. The dialysis machine of Claim 10, wherein a portion of a back side of the display attaches to the front of the body.

30

17. The dialysis machine of Claim 10, wherein the display has a thickness and the display is spaced from the front of the body a distance equal to or less than the thickness.
- 5 18. A dialysis machine comprising:
a body supported by a plurality of rollers;
a plurality of tubes for transferring a fluid to and from a patient attached to the
body; and
a display that displays and enables control of at least one dialysis function, the
10 display extending from a front of the body and including a pair of handle portions for a
person to grasp the display and roll the display and body collectively, the rollers
spaced apart beneath the body a distance so that the body does not tip when an amount
of force necessary to roll the body and the display is applied to the display.
- 15 19. The method of Claim 18; which includes a handle on the machine which
extends towards a back of the machine so that a person in back of the machine can
grab the handle and move the machine.
20. The method of Claim 18, wherein the display is constructed to withstand a
20 grasping force applied by the person moving the machine.

FIG. 1



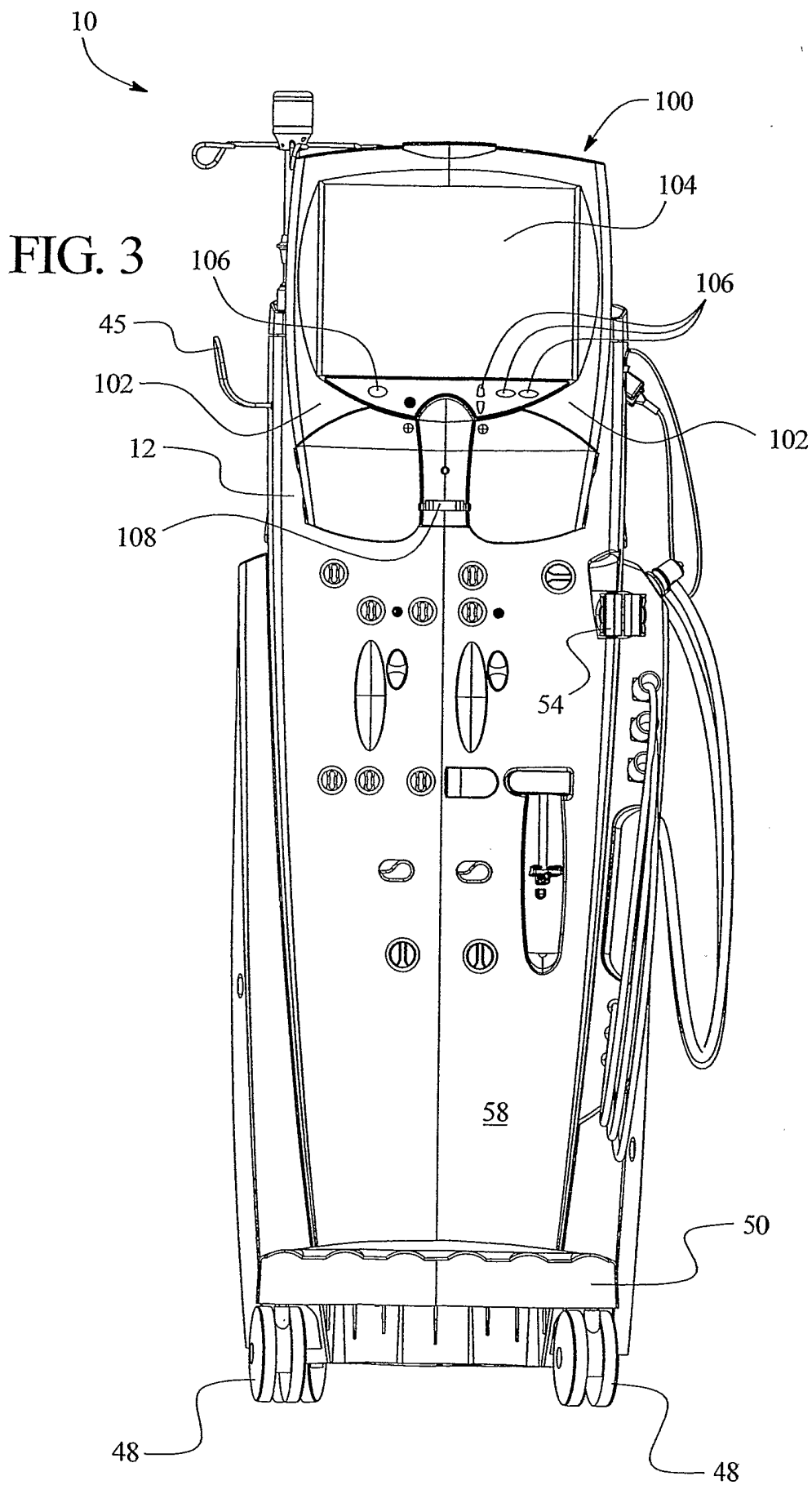
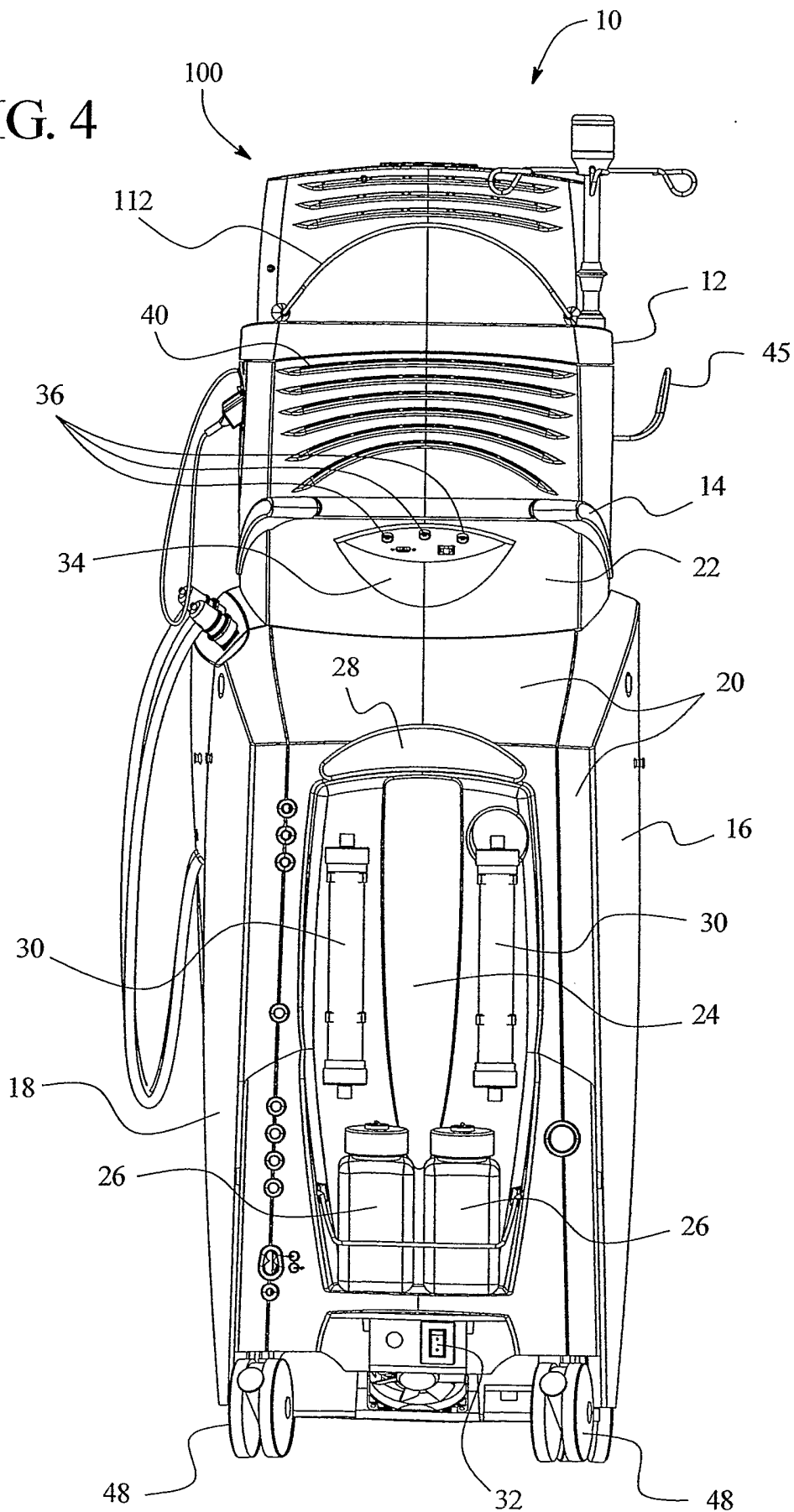


FIG. 4



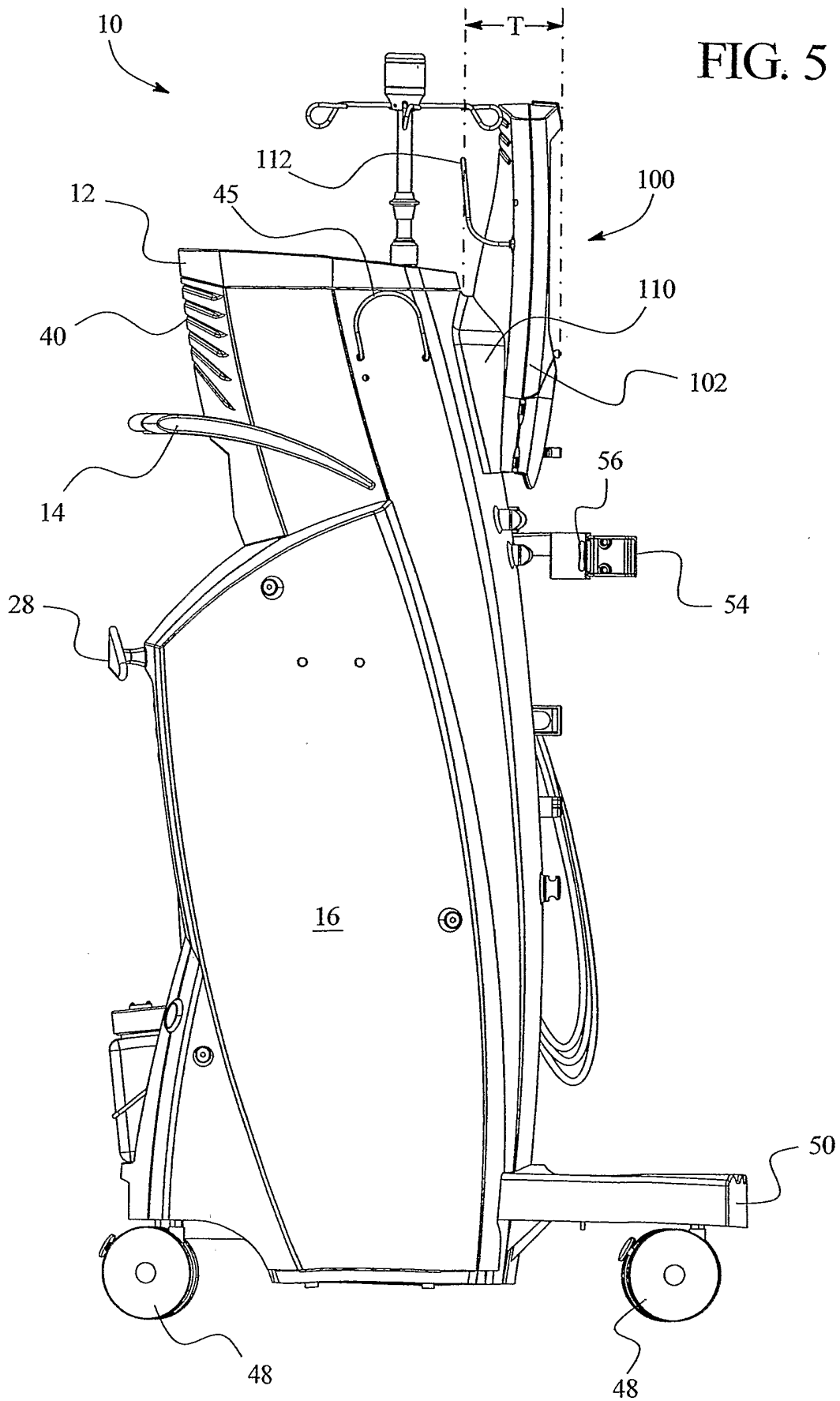
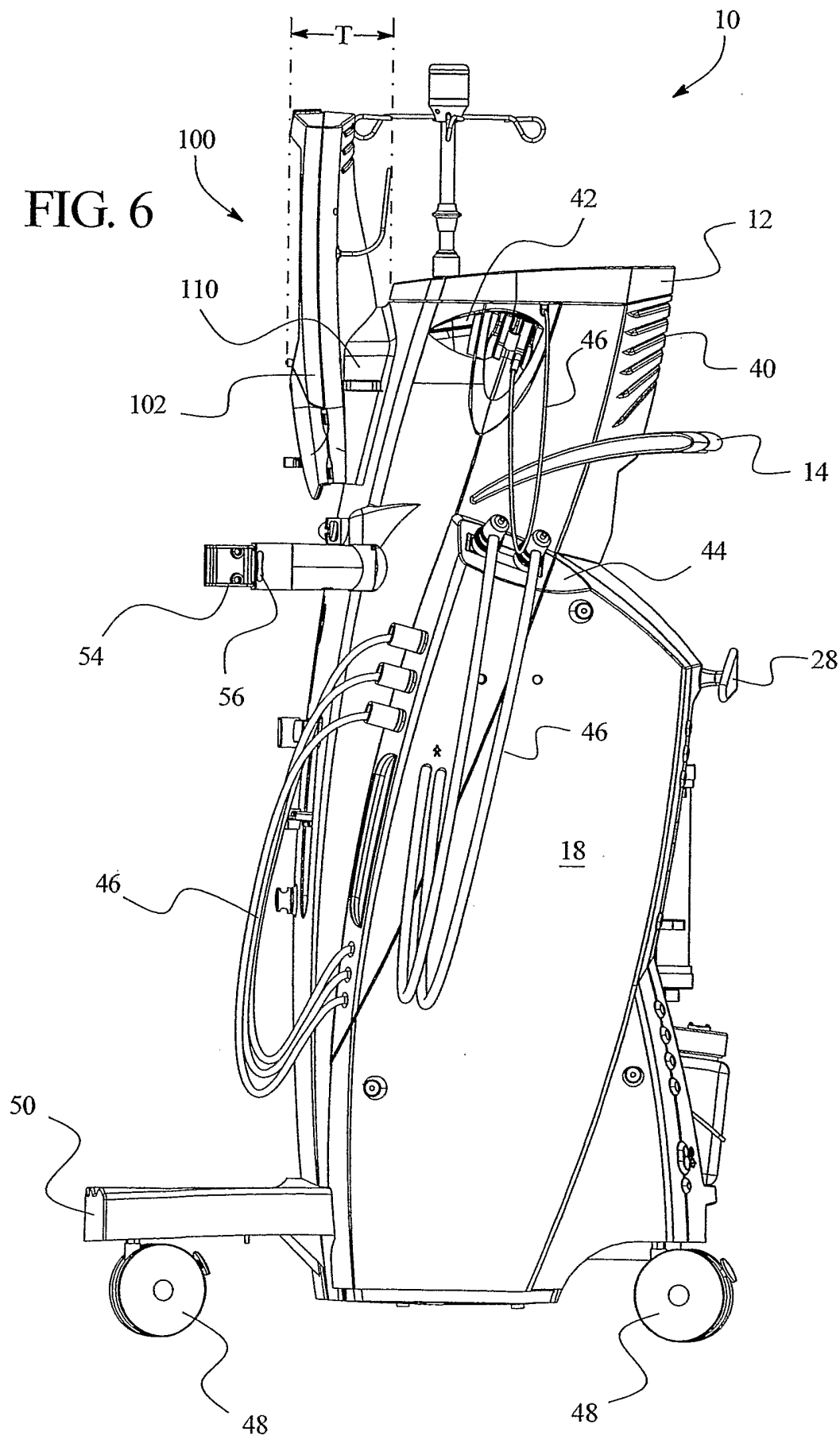


FIG. 6



INTERNATIONAL SEARCH REPORT

International Application No

PCT/US 03/31014

A. CLASSIFICATION OF SUBJECT MATTER
 IPC 7 A61M1/16

According to International Patent Classification (IPC) or to both national classification and IPC

B. FIELDS SEARCHED

Minimum documentation searched (classification system followed by classification symbols)
 IPC 7 A61M A47B

Documentation searched other than minimum documentation to the extent that such documents are included in the fields searched

Electronic data base consulted during the international search (name of data base and, where practical, search terms used)

EPO-Internal, PAJ, WPI Data

C. DOCUMENTS CONSIDERED TO BE RELEVANT

| Category ° | Citation of document, with indication, where appropriate, of the relevant passages | Relevant to claim No. |
|------------|------------------------------------------------------------------------------------|---------------------------|
| X | US 5 762 805 A (TRUITT LORI A ET AL) 9 June 1998 (1998-06-09) | 1,5,6,8, 9 |
| Y | column 7, line 22 - line 30; figure 1 ---- | 2-7 |
| X | US 5 650 071 A (HENDRICKSON DAN LEE ET AL) 22 July 1997 (1997-07-22) | 1,5,6,8, 9 |
| Y | column 5, line 10 - line 19; figure 1 ---- | 5-7,15 |
| X | WO 02 26286 A (COBE CARDIOVASCULAR INC) 4 April 2002 (2002-04-04) | 1-6, 8-12,14, 16-20 |
| Y | page 13, line 5 - line 17; figure 1 ---- | 7,15 |
| X | EP 0 987 036 A (ZYMEQUEST INC) 22 March 2000 (2000-03-22) | 1-4, 8-12,14, 16-20 |
| Y | figure 1 ----- -/-- | 5-7,15 |

Further documents are listed in the continuation of box C.

Patent family members are listed in annex.

° Special categories of cited documents :

- "A" document defining the general state of the art which is not considered to be of particular relevance
- "E" earlier document but published on or after the international filing date
- "L" document which may throw doubts on priority claim(s) or which is cited to establish the publication date of another citation or other special reason (as specified)
- "O" document referring to an oral disclosure, use, exhibition or other means
- "P" document published prior to the international filing date but later than the priority date claimed

- "T" later document published after the international filing date or priority date and not in conflict with the application but cited to understand the principle or theory underlying the invention
- "X" document of particular relevance; the claimed invention cannot be considered novel or cannot be considered to involve an inventive step when the document is taken alone
- "Y" document of particular relevance; the claimed invention cannot be considered to involve an inventive step when the document is combined with one or more other such documents, such combination being obvious to a person skilled in the art.
- "&" document member of the same patent family

Date of the actual completion of the international search

Date of mailing of the international search report

3 February 2004

10/02/2004

Name and mailing address of the ISA
 European Patent Office, P.B. 5818 Patentlaan 2
 NL - 2280 HV Rijswijk
 Tel. (+31-70) 340-2040, Tx. 31 651 epo nl,
 Fax: (+31-70) 340-3016

Authorized officer
 HERBERHOLD, C

INTERNATIONAL SEARCH REPORT

International Application No
PCT/US 03/31014

| C.(Continuation) DOCUMENTS CONSIDERED TO BE RELEVANT | | |
|------------------------------------------------------|--------------------------------------------------------------------------------------|-----------------------|
| Category * | Citation of document, with indication, where appropriate, of the relevant passages | Relevant to claim No. |
| A | US 6 086 576 A (BISCH MICHAEL EVREMONDE) 11 July 2000 (2000-07-11) | 1,8-10, 14,18-20 |
| Y | figure 1 | 2-4 |
| Y | US 5 924 781 A (MITCHELL TERRY L) 20 July 1999 (1999-07-20) the whole document | 7 |

INTERNATIONAL SEARCH REPORT

Information on patent family members

International Application No

PCT/US 03/31014

| Patent document cited in search report | | Publication date | Patent family member(s) | Publication date |
|----------------------------------------|------------|------------------|-------------------------|------------------|
| US 5762805 | A | 09-06-1998 | US 5910252 A | 08-06-1999 |
| | | | AT 178496 T | 15-04-1999 |
| | | | AT 205096 T | 15-09-2001 |
| | | | CA 2115414 A1 | 13-08-1994 |
| | | | CA 2444794 A1 | 13-08-1994 |
| | | | DE 9422431 U1 | 25-04-2002 |
| | | | DE 69417608 D1 | 12-05-1999 |
| | | | DE 69417608 T2 | 30-09-1999 |
| | | | DE 69428220 D1 | 11-10-2001 |
| | | | DE 69428220 T2 | 13-06-2002 |
| | | | EP 0611228 A2 | 17-08-1994 |
| | | | EP 0829265 A1 | 18-03-1998 |
| | | | ES 2131178 T3 | 16-07-1999 |
| | | | ES 2163082 T3 | 16-01-2002 |
| | | | GR 3030578 T3 | 29-10-1999 |
| | | | JP 6315530 A | 15-11-1994 |
| | | | US 5679245 A | 21-10-1997 |
| US 5776345 A | 07-07-1998 | | | |
| US 5650071 | A | 22-07-1997 | CA 2219820 A1 | 19-12-1996 |
| | | | EP 0831945 A1 | 01-04-1998 |
| | | | JP 11506962 T | 22-06-1999 |
| | | | WO 9640320 A1 | 19-12-1996 |
| | | | US 5776091 A | 07-07-1998 |
| WO 0226286 | A | 04-04-2002 | AU 2318002 A | 08-04-2002 |
| | | | EP 1328312 A2 | 23-07-2003 |
| | | | WO 0226286 A2 | 04-04-2002 |
| | | | US 2002085952 A1 | 04-07-2002 |
| EP 0987036 | A | 22-03-2000 | EP 0987036 A2 | 22-03-2000 |
| | | | EP 0987037 A2 | 22-03-2000 |
| | | | EP 0987038 A2 | 22-03-2000 |
| | | | EP 0987039 A2 | 22-03-2000 |
| | | | AU 7690698 A | 11-12-1998 |
| | | | EP 1011752 A2 | 28-06-2000 |
| | | | JP 3426175 B2 | 14-07-2003 |
| | | | JP 2000214083 A | 04-08-2000 |
| | | | JP 2000186771 A | 04-07-2000 |
| | | | JP 3432473 B2 | 04-08-2003 |
| | | | JP 2000193669 A | 14-07-2000 |
| | | | JP 2001521434 T | 06-11-2001 |
| | | | JP 2000217904 A | 08-08-2000 |
| | | | WO 9852629 A2 | 26-11-1998 |
| | | | US 2002185820 A1 | 12-12-2002 |
| | | | US 2001002743 A1 | 07-06-2001 |
| US 2001015227 A1 | 23-08-2001 | | | |
| US 6086576 | A | 11-07-2000 | AU 724661 B2 | 28-09-2000 |
| | | | AU 4084097 A | 19-03-1998 |
| | | | AU 4093997 A | 19-03-1998 |
| | | | AU 720530 B2 | 01-06-2000 |
| | | | AU 4167897 A | 19-03-1998 |
| | | | AU 723523 B2 | 31-08-2000 |
| | | | AU 4169297 A | 19-03-1998 |
| | | | AU 4169397 A | 19-03-1998 |
| | | | AU 4239497 A | 19-03-1998 |
| | | | AU 714226 B2 | 23-12-1999 |

INTERNATIONAL SEARCH REPORT

Information on patent family members

International Application No

PCT/US 03/31014

| Patent document cited in search report | Publication date | Patent family member(s) | Publication date |
|----------------------------------------|------------------|-------------------------|------------------|
| US 6086576 | A | AU 4240197 A | 19-03-1998 |
| | | AU 723587 B2 | 31-08-2000 |
| | | AU 4240497 A | 19-03-1998 |
| | | AU 723513 B2 | 31-08-2000 |
| | | AU 4240597 A | 19-03-1998 |
| | | AU 723086 B2 | 17-08-2000 |
| | | AU 4329897 A | 19-03-1998 |
| | | AU 723829 B2 | 07-09-2000 |
| | | AU 4329997 A | 19-03-1998 |
| | | BR 9711274 A | 11-12-2001 |
| | | BR 9711275 A | 16-10-2001 |
| | | BR 9711287 A | 30-10-2001 |
| | | BR 9711288 A | 06-11-2001 |
| | | BR 9711646 A | 06-08-2002 |
| | | CA 2263975 A1 | 05-03-1998 |
| | | CA 2264036 A1 | 05-03-1998 |
| | | CA 2264040 A1 | 05-03-1998 |
| | | CA 2264041 A1 | 05-03-1998 |
| | | CA 2264103 A1 | 05-03-1998 |
| | | CA 2264145 A1 | 05-03-1998 |
| | | CA 2264659 A1 | 05-03-1998 |
| | | CA 2264663 A1 | 05-03-1998 |
| | | CA 2264738 A1 | 05-03-1998 |
| | | CA 2386326 A1 | 05-03-1998 |
| | | CN 1231589 A | 13-10-1999 |
| | | CN 1251507 A | 26-04-2000 |
| | | CN 1235528 A | 17-11-1999 |
| | | CN 1235535 A | 17-11-1999 |
| | | CN 1235529 A | 17-11-1999 |
| | | CN 1235530 A , B | 17-11-1999 |
| | | CN 1235531 A | 17-11-1999 |
| | | CN 1236309 A | 24-11-1999 |
| | | CN 1235527 A | 17-11-1999 |
| | | EP 0955984 A1 | 17-11-1999 |
| | | EP 0955899 A1 | 17-11-1999 |
| | | EP 0951241 A1 | 27-10-1999 |
| | | EP 1006891 A1 | 14-06-2000 |
| | | EP 0949881 A1 | 20-10-1999 |
| | | EP 0929263 A1 | 21-07-1999 |
| US 5924781 | A | 20-07-1999 | NONE |