

(19) World Intellectual Property Organization  
International Bureau



(43) International Publication Date  
21 December 2007 (21.12.2007)

PCT

(10) International Publication Number  
**WO 2007/146936 A3**

- (51) International Patent Classification:  
*B65D 85/30* (2006.01)
- (21) International Application Number:  
PCT/US2007/070998
- (22) International Filing Date: 12 June 2007 (12.06.2007)
- (25) Filing Language: English
- (26) Publication Language: English
- (30) Priority Data:  
60/813,074 13 June 2006 (13.06.2006) US
- (71) Applicant (for all designated States except US): **ENTEGRIS, INC.** [US/US]; 3500 Lyman Boulevard, Chaska, MN 55318 (US).
- (72) Inventor; and
- (75) Inventor/Applicant (for US only): **WISEMAN, Brian** [US/US]; 4545 86th Court, Glencoe, MN 55336 (US).
- (74) Agents: **THORSON, Bradley, J.** et al.; Patterson, Thunte, Skaar & Christensen, P.A., 4800 Ids Center, 80 South Eighth Street, Minneapolis, MN 55402-2100 (US).
- (81) Designated States (unless otherwise indicated, for every kind of national protection available): AE, AG, AL, AM,

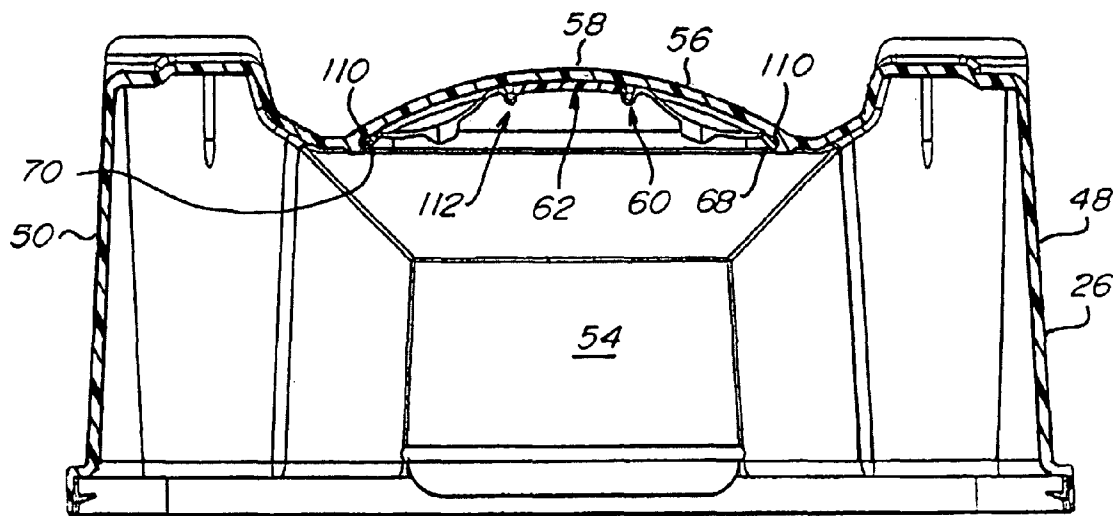
AT, AU, AZ, BA, BB, BG, BH, BR, BW, BY, BZ, CA, CH, CN, CO, CR, CU, CZ, DE, DK, DM, DO, DZ, EC, EE, EG, ES, FI, GB, GD, GE, GH, GM, GT, HN, HR, HU, ID, IL, IN, IS, JP, KE, KG, KM, KN, KP, KR, KZ, LA, LC, LK, LR, LS, LT, LU, LY, MA, MD, ME, MG, MK, MN, MW, MX, MY, MZ, NA, NG, NI, NO, NZ, OM, PG, PH, PL, PT, RO, RS, RU, SC, SD, SE, SG, SK, SL, SM, SV, SY, TJ, TM, TN, TR, TT, TZ, UA, UG, US, UZ, VC, VN, ZA, ZM, ZW.

(84) Designated States (unless otherwise indicated, for every kind of regional protection available): ARIPO (BW, GH, GM, KE, LS, MW, MZ, NA, SD, SL, SZ, TZ, UG, ZM, ZW), Eurasian (AM, AZ, BY, KG, KZ, MD, RU, TJ, TM), European (AT, BE, BG, CH, CY, CZ, DE, DK, EE, ES, FI, FR, GB, GR, HU, IE, IS, IT, LT, LU, LV, MC, MT, NL, PL, PT, RO, SE, SI, SK, TR), OAPI (BF, BJ, CF, CG, CI, CM, GA, GN, GQ, GW, ML, MR, NE, SN, TD, TG).

**Published:**  
— with international search report  
— before the expiration of the time limit for amending the claims and to be republished in the event of receipt of amendments

(88) Date of publication of the international search report:  
6 November 2008

(54) Title: REUSABLE RESILIENT CUSHION FOR WAFER CONTAINER



**Fig. 3.**

(57) Abstract: A container for holding a plurality of substrates includes an enclosure portion defining an interior space. The enclosure has a pluralit of slots for receiving the substrates, and a door (26) for sealingly closing an open side A cushion (62) is received on the door.

WO 2007/146936 A3

# INTERNATIONAL SEARCH REPORT

International application No.

PCT/US07/70998

**A. CLASSIFICATION OF SUBJECT MATTER**  
 IPC: **B65D 85/30**(2006.01)

USPC: 206/710  
 According to International Patent Classification (IPC) or to both national classification and IPC

**B. FIELDS SEARCHED**

Minimum documentation searched (classification system followed by classification symbols)  
 U.S. : 206/710, 711, 712, 722, 723, 445, 832

Documentation searched other than minimum documentation to the extent that such documents are included in the fields searched  
 None

Electronic data base consulted during the international search (name of data base and, where practicable, search terms used)  
 None

**C. DOCUMENTS CONSIDERED TO BE RELEVANT**

Category *	Citation of document, with indication, where appropriate, of the relevant passages	Relevant to claim No.
A	US 5,988,393 A (HSIA et al.) 23 November 1999 (23.11.1999), Drawings, Claims.	1-20
A	US 4,718,549 A (RISSOTTI) 12 January 1988 (12.01.1988), Specification, Drawings.	1-20

Further documents are listed in the continuation of Box C.       See patent family annex.

* Special categories of cited documents:	
"A" document defining the general state of the art which is not considered to be of particular relevance	"T" later document published after the international filing date or priority date and not in conflict with the application but cited to understand the principle or theory underlying the invention
"E" earlier application or patent published on or after the international filing date	"X" document of particular relevance; the claimed invention cannot be considered novel or cannot be considered to involve an inventive step when the document is taken alone
"L" document which may throw doubts on priority claim(s) or which is cited to establish the publication date of another citation or other special reason (as specified)	"Y" document of particular relevance; the claimed invention cannot be considered to involve an inventive step when the document is combined with one or more other such documents, such combination being obvious to a person skilled in the art
"O" document referring to an oral disclosure, use, exhibition or other means	"&" document member of the same patent family
"P" document published prior to the international filing date but later than the priority date claimed	

Date of the actual completion of the international search: 11 June 2008 (11.06.2008)      Date of mailing of the international search report: 04 SEP 2008

Name and mailing address of the ISA/US: Mail Stop PCT, Attn: ISA/US, Commissioner for Patents, P.O. Box 1450, Alexandria, Virginia 22313-1450  
 Facsimile No. (571) 273-3201

Authorized officer: *Jacob K. Ackun Jr.*  
 Telephone No. (703)308-0858