

(19) World Intellectual Property Organization
International Bureau



(43) International Publication Date
3 May 2007 (03.05.2007)

PCT

(10) International Publication Number
WO 2007/050546 A3

- (51) International Patent Classification:
A61B 17/08 (2006.01)
- (21) International Application Number:
PCT/US2006/041369
- (22) International Filing Date: 24 October 2006 (24.10.2006)
- (25) Filing Language: English
- (26) Publication Language: English
- (30) Priority Data:
60/730,410 26 October 2005 (26.10.2005) US
- (71) Applicant (for all designated States except US): **THE BRIGHAM AND WOMEN'S HOSPITAL, INC.** [US/US]; 75 Francis Street, Boston, MA 02215 (US).

AT, AU, AZ, BA, BB, BG, BR, BW, BY, BZ, CA, CH, CN, CO, CR, CU, CZ, DE, DK, DM, DZ, EC, EE, EG, ES, FI, GB, GD, GE, GH, GM, GT, HN, HR, HU, ID, IL, IN, IS, JP, KE, KG, KM, KN, KP, KR, KZ, LA, LC, LK, LR, LS, LT, LU, LV, LY, MA, MD, MG, MK, MN, MW, MX, MY, MZ, NA, NG, NI, NO, NZ, OM, PG, PH, PL, PT, RO, RS, RU, SC, SD, SE, SG, SK, SL, SM, SV, SY, TJ, TM, TN, TR, TT, TZ, UA, UG, US, UZ, VC, VN, ZA, ZM, ZW.

- (72) Inventors; and
- (75) Inventors/Applicants (for US only): **GROOTHUIS, Adam** [US/US]; 7 Sampson Avenue, Swamscott, MA 01907 (US). **ROGERS, Campbell** [US/US]; 15 Westfield Street, Dedham, MA 02026 (US).
- (74) Agents: **POLLACK, Brian, R.** et al.; Edwards Angell Palmer & Dodge LLP, P.O. Box 55874, Boston, MA 02205 (US).

(84) Designated States (unless otherwise indicated, for every kind of regional protection available): ARIPO (BW, GH, GM, KE, LS, MW, MZ, NA, SD, SL, SZ, TZ, UG, ZM, ZW), Eurasian (AM, AZ, BY, KG, KZ, MD, RU, TJ, TM), European (AT, BE, BG, CH, CY, CZ, DE, DK, EE, ES, FI, FR, GB, GR, HU, IE, IS, IT, LT, LU, LV, MC, NL, PL, PT, RO, SE, SI, SK, TR), OAPI (BF, BJ, CF, CG, CI, CM, GA, GN, GQ, GW, ML, MR, NE, SN, TD, TG).

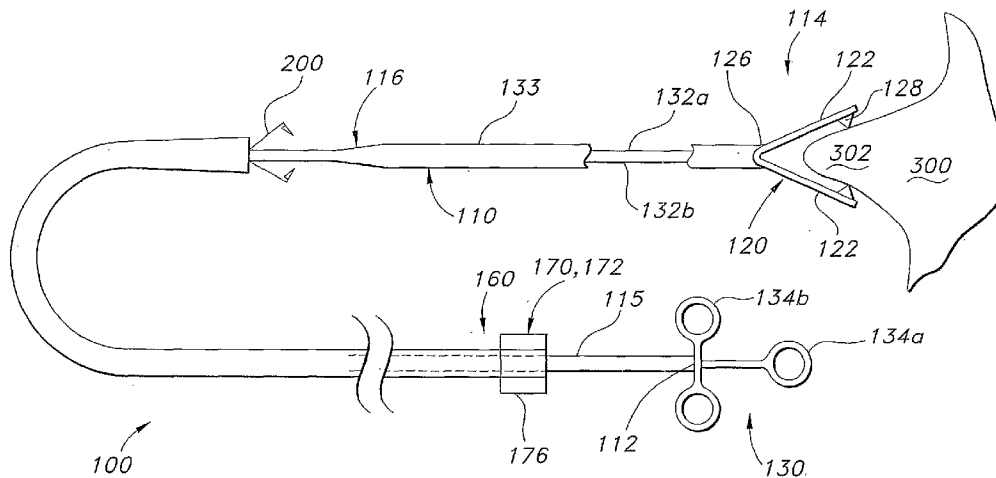
Published:
— with international search report
— before the expiration of the time limit for amending the claims and to be republished in the event of receipt of amendments

(88) Date of publication of the international search report:
11 October 2007

For two-letter codes and other abbreviations, refer to the "Guidance Notes on Codes and Abbreviations" appearing at the beginning of each regular issue of the PCT Gazette.

(81) Designated States (unless otherwise indicated, for every kind of national protection available): AE, AG, AL, AM,

(54) Title: DEVICES AND METHODS FOR TREATING MITRAL VALVE REGURGITATION



(57) Abstract: A medical device, method and system of treating the luminal system of a patient are provided. The medical device includes a tissue plicator adapted and configured to form a plication of tissue proximate a target region of a patient. The medical device further includes a retainer applicator operatively associated with the tissue plicator. The retainer applicator is adapted and configured to apply a retainer to the plication to maintain the plication after the medical device is removed from the patient. In accordance with a further aspect, the tissue plicator may plicate tissue by mechanically clamping the tissue and/or may plicate the tissue at least in part by applying suction thereto. The system can be used to plicate tissue proximate the mitral valve of a patient. The plication can be formed temporarily or permanently.

WO 2007/050546 A3

INTERNATIONAL SEARCH REPORT

International application No.

PCT/US06/41369

A. CLASSIFICATION OF SUBJECT MATTER

IPC(8) - A61B 17/08 (2007.01)

USPC - 606/153

According to International Patent Classification (IPC) or to both national classification and IPC

B. FIELDS SEARCHED

Minimum documentation searched (classification system followed by classification symbols)

IPC(8) - A61B 17/08 (2007.01)

USPC - 606/153

Documentation searched other than minimum documentation to the extent that such documents are included in the fields searched

Electronic data base consulted during the international search (name of data base and, where practicable, search terms used)

USPTO EAST System (US, USPG-PUB, EPO, DERWENT), MicroPatent, IP.com, DialogPro

C. DOCUMENTS CONSIDERED TO BE RELEVANT

Category*	Citation of document, with indication, where appropriate, of the relevant passages	Relevant to claim No.
X -- Y	US 2004/0225305 A1 (EWERS et al) 11 November 2004 (11.11.2004) entire document	1-19, 22, 23, 27-29, 32, 33, 35, 37-56 ----- 20-21, 30-31, 34
X	US 6,773,440 B2 (GANNOE et al) 10 August 2004 (10.08.2004) entire document	17, 24-26, 36
Y	US 2004/0133220 A1 (LASHINSKI et al) 08 July 2004 (08.07.2004) entire document	20-21
Y	US 6,746,460 B2 (GANNOE et al) 08 June 2004 (08.06.2004) entire document	30-31
Y	US 2003/0139819 A1 (BEER et al) 24 July 2003 (24.07.2003) entire document	34

 Further documents are listed in the continuation of Box C.

* Special categories of cited documents:

"A" document defining the general state of the art which is not considered to be of particular relevance

"E" earlier application or patent but published on or after the international filing date

"L" document which may throw doubts on priority claim(s) or which is cited to establish the publication date of another citation or other special reason (as specified)

"O" document referring to an oral disclosure, use, exhibition or other means

"P" document published prior to the international filing date but later than the priority date claimed

"T" later document published after the international filing date or priority date and not in conflict with the application but cited to understand the principle or theory underlying the invention

"X" document of particular relevance; the claimed invention cannot be considered novel or cannot be considered to involve an inventive step when the document is taken alone

"Y" document of particular relevance; the claimed invention cannot be considered to involve an inventive step when the document is combined with one or more other such documents, such combination being obvious to a person skilled in the art

"&" document member of the same patent family

Date of the actual completion of the international search

27 April 2007

Date of mailing of the international search report

08 AUG 2007

Name and mailing address of the ISA/US

Mail Stop PCT, Attn: ISA/US, Commissioner for Patents
P.O. Box 1450, Alexandria, Virginia 22313-1450

Facsimile No. 571-273-3201

Authorized officer:

Blaine R. Copenheaver

PCT Helpdesk: 571-272-4300
PCT OSP: 571-272-7774