

(19) World Intellectual Property  
Organization  
International Bureau



(43) International Publication Date  
4 September 2003 (04.09.2003)

PCT

(10) International Publication Number  
WO 2003/072162 A3

(51) International Patent Classification<sup>7</sup>: A61B 19/00

CZ, DE, DK, DM, DZ, EC, EE, ES, FI, GB, GD, GE, GH, GM, HR, HU, ID, IL, IN, IS, JP, KE, KG, KP, KR, KZ, LC, LK, LR, LS, LT, LU, LV, MA, MD, MG, MK, MN, MW, MX, MZ, NO, NZ, OM, PH, PL, PT, RO, RU, SC, SD, SE, SG, SK, SL, TJ, TM, TN, TR, TT, TZ, UA, UG, US, UZ, VC, VN, YU, ZA, ZM, ZW.

(21) International Application Number:  
PCT/US2003/005535

(22) International Filing Date: 25 February 2003 (25.02.2003)

(25) Filing Language: English

(84) Designated States (regional): ARIPO patent (GH, GM, KE, LS, MW, MZ, SD, SL, SZ, TZ, UG, ZM, ZW), Eurasian patent (AM, AZ, BY, KG, KZ, MD, RU, TJ, TM), European patent (AT, BE, BG, CH, CY, CZ, DE, DK, EE, ES, FI, FR, GB, GR, HU, IE, IT, LU, MC, NL, PT, SE, SI, SK, TR), OAPI patent (BF, BJ, CF, CG, CI, CM, GA, GN, GQ, GW, ML, MR, NE, SN, TD, TG).

(26) Publication Language: English

(30) Priority Data:  
60/358,705 25 February 2002 (25.02.2002) US

(71) Applicants and

Published:

(72) Inventors: DUTT, Mitali [US/US]; 17 Mesa Place, Nanuet, NY 10954 (US). PEREZ, Alfredo [US/US]; HC-06 Box 17144, San Sebastian, Puerto Rico 00685 (US).

— with international search report  
— before the expiration of the time limit for amending the claims and to be republished in the event of receipt of amendments

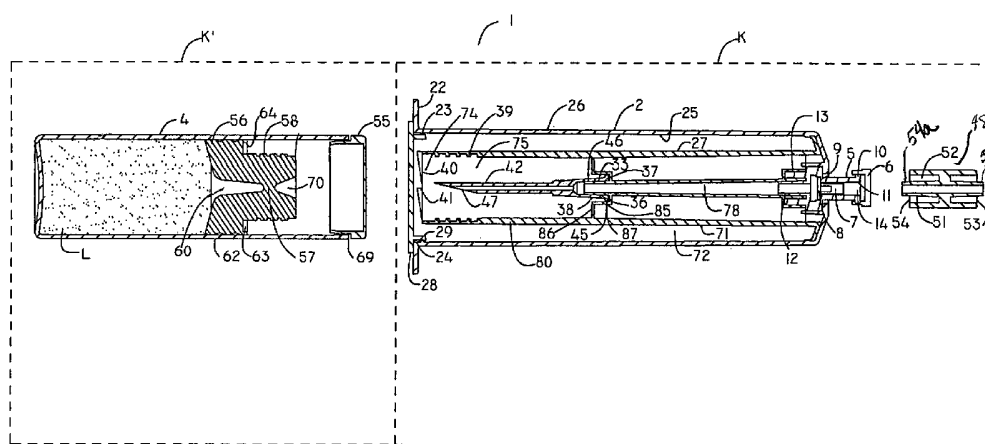
(74) Agent: WEINSTEIN, Wendi, L.; Burns, Doane, Swecker & Mathis, L.L.P., P.O. Box 1404, Alexandria, VA 22313-1404 (US).

(88) Date of publication of the international search report:  
5 August 2004

(81) Designated States (national): AE, AG, AL, AM, AT, AU, AZ, BA, BB, BG, BR, BY, BZ, CA, CH, CN, CO, CR, CU,

For two-letter codes and other abbreviations, refer to the "Guidance Notes on Codes and Abbreviations" appearing at the beginning of each regular issue of the PCT Gazette.

(54) Title: PROBE-ACTIVATED MEDICAMENT INJECTOR DEVICE



(57) Abstract: An injector assembly (1) for transfer and direct administration of fluid from a vial (4). The injector assembly (1) includes an injector device (2) having a rear open end (24) for receiving a medicament fluid containing vial, a front closed end including a nozzle (11) and a check valve (5). The check valve includes a mechanical contact probe-openable and self-closing valve and an internal flow path extending therethrough. The front closed end of the injector device is configured for cooperation with a contact portion arranged for flow connection with the nozzle (11) of the injector device (2) and for opening the check valve (5). The injector assembly thereby (1) defines a fluid path such that when the front closed end cooperates with the contact portion, the check valve (5) opens for transfer and direct administration of fluid from the vial (4) and through the injector device (2).

WO 2003/072162 A3

# INTERNATIONAL SEARCH REPORT

International application No.

PCT/US03/05535

**A. CLASSIFICATION OF SUBJECT MATTER**

IPC(7) : A61B 19/00  
 US CL : 604/411, 414

According to International Patent Classification (IPC) or to both national classification and IPC

**B. FIELDS SEARCHED**

Minimum documentation searched (classification system followed by classification symbols)  
 U.S. : 604/411, 414

Documentation searched other than minimum documentation to the extent that such documents are included in the fields searched

Electronic data base consulted during the international search (name of data base and, where practicable, search terms used)

**C. DOCUMENTS CONSIDERED TO BE RELEVANT**

Category *	Citation of document, with indication, where appropriate, of the relevant passages	Relevant to claim No.
Y	US 5,358,501 A (MEYER ) 25 October 1994, entire document	1-28
Y	US 5,769,138 A (SADOWSKI et al ) 23 June 1998, entire document	1-28
Y	US 5,873,872 A (THIBAUT et al ) 23 February 1999, entire document	1-28
Y	US 6,209,738 B1 (JANSEN et al ) 03 April 2001, entire document	1-28
Y	US 6,299,608 B1 (SOLOMON et al ) 09 October 2001, entire document	1-28
Y,P	US 6,358,236 B1 (DeFoggi et al ) 19 March 2002, entire document	1-28
Y,P	US 6,478,788 B1 (ANEAS) 12 November 2002, entire document	1-28
Y,E	US 6,610,040 B1 (FOWLES et al) 26 August 2003, entire document	1-28

Further documents are listed in the continuation of Box C.

See patent family annex.

* Special categories of cited documents:	
"A" document defining the general state of the art which is not considered to be of particular relevance	"T" later document published after the international filing date or priority date and not in conflict with the application but cited to understand the principle or theory underlying the invention
"E" earlier application or patent published on or after the international filing date	"X" document of particular relevance; the claimed invention cannot be considered novel or cannot be considered to involve an inventive step when the document is taken alone
"L" document which may throw doubts on priority claim(s) or which is cited to establish the publication date of another citation or other special reason (as specified)	"Y" document of particular relevance; the claimed invention cannot be considered to involve an inventive step when the document is combined with one or more other such documents, such combination being obvious to a person skilled in the art
"O" document referring to an oral disclosure, use, exhibition or other means	"&" document member of the same patent family
"P" document published prior to the international filing date but later than the priority date claimed	

Date of the actual completion of the international search

05 January 2004 (05.01.2004)

Date of mailing of the international search report

15 JUN 2004

Name and mailing address of the ISA/US

Mail Stop PCT, Attn: ISA/US  
 Commissioner for Patents  
 P.O. Box 1450  
 Alexandria, Virginia 22313-1450

Facsimile No. (703)305-3230

Authorized officer

Angela Sykes

Telephone No. 308-0858