



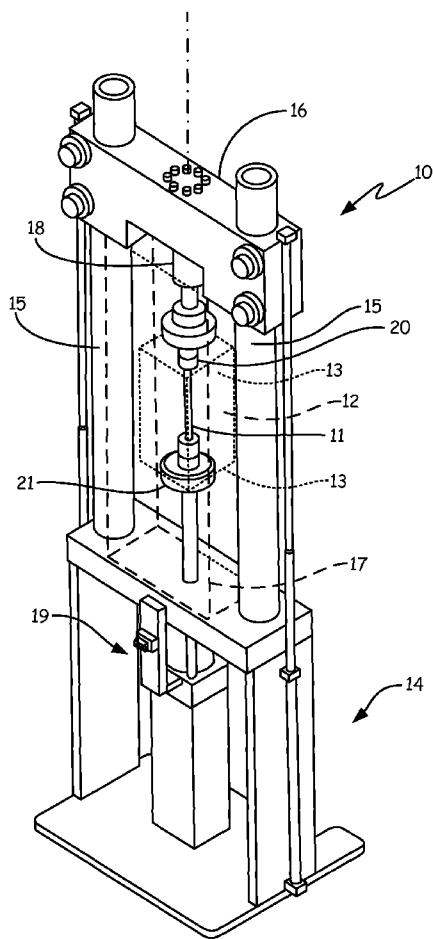
- (51) International Patent Classification: *G01N 3/04* (2006.01)
- (21) International Application Number: PCT/US2013/053696
- (22) International Filing Date: 6 August 2013 (06.08.2013)
- (25) Filing Language: English
- (26) Publication Language: English
- (30) Priority Data:

61/681,127	8 August 2012 (08.08.2012)	US
13/840,760	15 March 2013 (15.03.2013)	US
- (71) Applicant: **MTS SYSTEMS CORPORATION** [US/US];
14000 Technology Drive, Eden Prairie, MN 55344 (US).
- (72) Inventors: **LEMMER, Steven, R.**; 328 Casper Circle,
Norwood, MN 55368 (US). **MCQUILLAN, Kevin, P.**;
868 St. Paul Avenue, St. Paul, MN 55116 (US).
- (74) Agents: **KOEHLER, Steven, M.** et al.; Westman, Champ-
lin & Kelly, P.A., 900 Second Avenue South, Suite 1400,
Minneapolis, MN 55402-3319 (US).
- (81) Designated States (*unless otherwise indicated, for every
kind of national protection available*): AE, AG, AL, AM,
AO, AT, AU, AZ, BA, BB, BG, BH, BN, BR, BW, BY,
BZ, CA, CH, CL, CN, CO, CR, CU, CZ, DE, DK, DM,
DO, DZ, EC, EE, EG, ES, FI, GB, GD, GE, GH, GM, GT,
HN, HR, HU, ID, IL, IN, IS, JP, KE, KG, KN, KP, KR,
KZ, LA, LC, LK, LR, LS, LT, LU, LY, MA, MD, ME,
MG, MK, MN, MW, MX, MY, MZ, NA, NG, NI, NO, NZ,
OM, PA, PE, PG, PH, PL, PT, QA, RO, RS, RU, RW, SA,

[Continued on next page]

(54) Title: TEST SPECIMEN HOLDER FOR HIGH TEMPERATURE ENVIRONMENTS

(57) Abstract: A test specimen holder (20, 21) includes a specimen enga-
ging portion (30) operable to selectively engage and hold a test specimen
(11). The test specimen holder (20, 21) includes a first shield (34) dis-
posed around the specimen engaging portion (30) wherein a first gap (36)
is formed between the shield (34) and the specimen engaging portion (30)
to remove heat from the specimen engaging portion (30).



SC, SD, SE, SG, SK, SL, SM, ST, SV, SY, TH, TJ, TM, TN, TR, TT, TZ, UA, UG, US, UZ, VC, VN, ZA, ZM, ZW.

(84) Designated States (unless otherwise indicated, for every kind of regional protection available): ARIPO (BW, GH, GM, KE, LR, LS, MW, MZ, NA, RW, SD, SL, SZ, TZ, UG, ZM, ZW), Eurasian (AM, AZ, BY, KG, KZ, RU, TJ, TM), European (AL, AT, BE, BG, CH, CY, CZ, DE, DK, EE, ES, FI, FR, GB, GR, HR, HU, IE, IS, IT, LT, LU, LV, MC, MK, MT, NL, NO, PL, PT, RO, RS, SE, SI, SK, SM, TR), OAPI (BF, BJ, CF, CG, CI, CM, GA, GN, GQ, GW, KM, ML, MR, NE, SN, TD, TG).

Published:

- with international search report (Art. 21(3))
- before the expiration of the time limit for amending the claims and to be republished in the event of receipt of amendments (Rule 48.2(h))

(88) Date of publication of the international search report:

30 May 2014

INTERNATIONAL SEARCH REPORT

International application No
PCT/US2013/053696

A. CLASSIFICATION OF SUBJECT MATTER
INV. G01N3/04
ADD.
According to International Patent Classification (IPC) or to both national classification and IPC

B. FIELDS SEARCHED
Minimum documentation searched (classification system followed by classification symbols)
G01N

Documentation searched other than minimum documentation to the extent that such documents are included in the fields searched

Electronic data base consulted during the international search (name of data base and, where practicable, search terms used)
EPO-Internal, WPI Data, INSPEC, COMPENDEX

C. DOCUMENTS CONSIDERED TO BE RELEVANT

Category*	Citation of document, with indication, where appropriate, of the relevant passages	Relevant to claim No.
X	US 3 795 134 A (EICHENBRENNER F ET AL) 5 March 1974 (1974-03-05)	1-10
Y	column 2, lines 35-40 column 2, lines 39-47 column 3, lines 14-23 column 3, line 51 - column 4, line 12 figure 1 figure 2	14-20
A	----- WO 98/57142 A1 (MTS SYSTEM CORP [US]) 17 December 1998 (1998-12-17) page 5, line 26 - page 6, line 17 figures 1,3,7 ----- -/--	1-10

Further documents are listed in the continuation of Box C.

See patent family annex.

* Special categories of cited documents :

- "A" document defining the general state of the art which is not considered to be of particular relevance
- "E" earlier application or patent but published on or after the international filing date
- "L" document which may throw doubts on priority claim(s) or which is cited to establish the publication date of another citation or other special reason (as specified)
- "O" document referring to an oral disclosure, use, exhibition or other means
- "P" document published prior to the international filing date but later than the priority date claimed

"T" later document published after the international filing date or priority date and not in conflict with the application but cited to understand the principle or theory underlying the invention

"X" document of particular relevance; the claimed invention cannot be considered novel or cannot be considered to involve an inventive step when the document is taken alone

"Y" document of particular relevance; the claimed invention cannot be considered to involve an inventive step when the document is combined with one or more other such documents, such combination being obvious to a person skilled in the art

"&" document member of the same patent family

Date of the actual completion of the international search

28 March 2014

Date of mailing of the international search report

03/04/2014

Name and mailing address of the ISA/

European Patent Office, P.B. 5818 Patentlaan 2
NL - 2280 HV Rijswijk
Tel. (+31-70) 340-2040,
Fax: (+31-70) 340-3016

Authorized officer

Traversa, Marzia

INTERNATIONAL SEARCH REPORT

International application No
PCT/US2013/053696

C(Continuation). DOCUMENTS CONSIDERED TO BE RELEVANT		
Category*	Citation of document, with indication, where appropriate, of the relevant passages	Relevant to claim No.
A	US 5 095 757 A (LARSEN CARL G [US] ET AL) 17 March 1992 (1992-03-17) cited in the application column 2, lines 39-47 figure 1	1-10
A	----- US 5 581 040 A (LIN WEI-HWANG [TW]) 3 December 1996 (1996-12-03) column 4, line 59 - column 5, line 5 figures 3,5	1-10
X	----- US 5 269 181 A (GIBSON RONALD F [US] ET AL) 14 December 1993 (1993-12-14)	11-13
Y	column 1, paragraph 7-9 column 6, lines 15-17 column 6, lines 18-20 column 6, lines 27-28 column 7, lines 17-27 column 9, lines 4-10 column 9, line 58 - column 10, line 3 figure 1 figure 2	14-20
X	----- US 3 611 787 A (ANNESSA ANTHONY T D ET AL) 12 October 1971 (1971-10-12)	11
A	column 2, lines 22-50 column 3, lines 9-22 figure 1	12-20

INTERNATIONAL SEARCH REPORT

International application No.
PCT/US2013/053696

Box No. II Observations where certain claims were found unsearchable (Continuation of item 2 of first sheet)

This international search report has not been established in respect of certain claims under Article 17(2)(a) for the following reasons:

1. Claims Nos.:
because they relate to subject matter not required to be searched by this Authority, namely:

2. Claims Nos.:
because they relate to parts of the international application that do not comply with the prescribed requirements to such an extent that no meaningful international search can be carried out, specifically:

3. Claims Nos.:
because they are dependent claims and are not drafted in accordance with the second and third sentences of Rule 6.4(a).

Box No. III Observations where unity of invention is lacking (Continuation of item 3 of first sheet)

This International Searching Authority found multiple inventions in this international application, as follows:

see additional sheet

1. As all required additional search fees were timely paid by the applicant, this international search report covers all searchable claims.
2. As all searchable claims could be searched without effort justifying an additional fees, this Authority did not invite payment of additional fees.
3. As only some of the required additional search fees were timely paid by the applicant, this international search report covers only those claims for which fees were paid, specifically claims Nos.:

4. No required additional search fees were timely paid by the applicant. Consequently, this international search report is restricted to the invention first mentioned in the claims; it is covered by claims Nos.:

Remark on Protest

- The additional search fees were accompanied by the applicant's protest and, where applicable, the payment of a protest fee.
- The additional search fees were accompanied by the applicant's protest but the applicable protest fee was not paid within the time limit specified in the invitation.
- No protest accompanied the payment of additional search fees.

FURTHER INFORMATION CONTINUED FROM PCT/ISA/ 210

This International Searching Authority found multiple (groups of) inventions in this international application, as follows:

1. claims: 1-10

test specimen holder for high temperature test where the heat is removed from the specimen holder

2. claims: 11-20

testing device having a system of temperature sensors and a controller to control the temperature of the tested specimen.

INTERNATIONAL SEARCH REPORT

Information on patent family members

International application No PCT/US2013/053696

Patent document cited in search report	Publication date	Patent family member(s)	Publication date
US 3795134	A	05-03-1974	NONE
WO 9857142	A1	17-12-1998	US 5945607 A 31-08-1999 WO 9857142 A1 17-12-1998
US 5095757	A	17-03-1992	NONE
US 5581040	A	03-12-1996	NONE
US 5269181	A	14-12-1993	NONE
US 3611787	A	12-10-1971	NONE