

(19) World Intellectual Property Organization
International Bureau



(43) International Publication Date
27 March 2003 (27.03.2003)

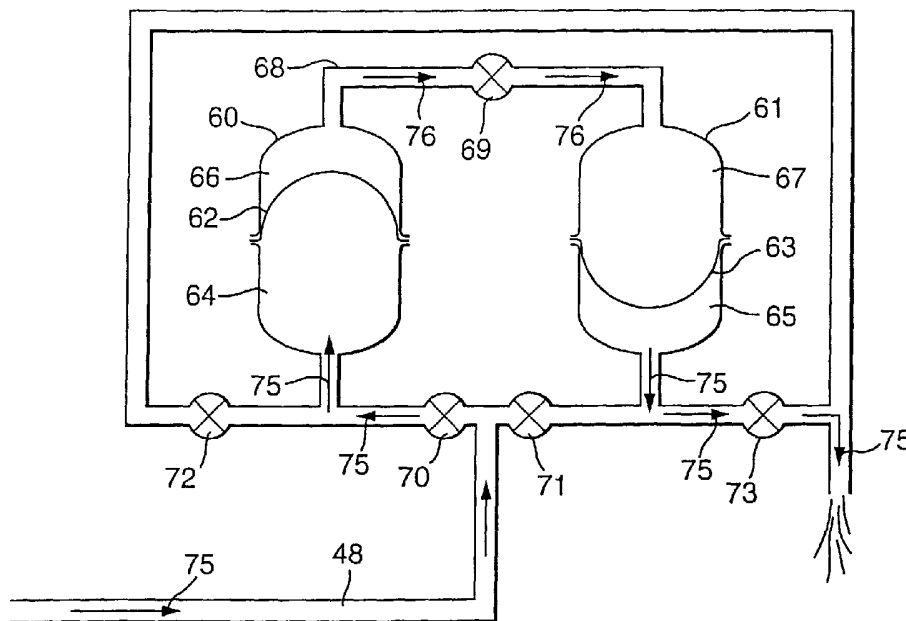
PCT

(10) International Publication Number
WO 03/025334 A1

- (51) International Patent Classification⁷: E21B 21/08, 21/10
- (72) Inventor; and
- (75) Inventor/Applicant (for US only): VAN RIET, Egbert, Jan [NL/NL]; Volmerlaan 8, NL-2288 GD Rijswijk (NL).
- (21) International Application Number: PCT/EP02/10366
- (22) International Filing Date: 13 September 2002 (13.09.2002)
- (81) Designated States (national): AE, AG, AL, AM, AT, AU, AZ, BA, BB, BG, BR, BY, BZ, CA, CH, CN, CO, CR, CU, CZ, DE, DK, DM, DZ, EC, EE, ES, FI, GB, GD, GE, GH, GM, HR, HU, ID, IL, IN, IS, JP, KE, KG, KP, KR, KZ, LC, LK, LR, LS, LT, LU, LV, MA, MD, MG, MK, MN, MW, MX, MZ, NO, NZ, OM, PH, PL, PT, RO, RU, SD, SE, SG, SI, SK, SL, TJ, TM, TN, TR, TT, TZ, UA, UG, US, UZ, VN, YU, ZA, ZM, ZW.
- (25) Filing Language: English
- (26) Publication Language: English
- (30) Priority Data: 01307865.4 14 September 2001 (14.09.2001) EP
- (84) Designated States (regional): ARIPO patent (GH, GM, KE, LS, MW, MZ, SD, SL, SZ, TZ, UG, ZM, ZW), Eurasian patent (AM, AZ, BY, KG, KZ, MD, RU, TJ, TM), European patent (AT, BE, BG, CH, CY, CZ, DE, DK, EE, ES, FI, FR, GB, GR, IE, IT, LU, MC, NL, PT, SE, SK, TR), OAPI patent (BF, BJ, CF, CG, CI, CM, GA, GN, GQ, GW, ML, MR, NE, SN, TD, TG).
- (71) Applicant (for all designated States except CA, US): SHELL INTERNATIONAL RESEARCH MAATSCHAPPIJ B.V. [NL/NL]; Carel van Bylandtlaan 30, NL-2596 HR The Hague (NL).
- (71) Applicant (for CA only): SHELL CANADA LIMITED [CA/CA]; 400, 4th Avenue S.W., Calgary, Alberta T2P 2H5 (CA).

[Continued on next page]

(54) Title: SYSTEM FOR CONTROLLING THE DISCHARGE OF DRILLING FLUID



(57) Abstract: A drilling system is provided for drilling a borehole (3) into an earth formation (5), the drilling system comprising pump means (19, 30) for pumping drilling fluid into the borehole (3) and discharge means (50) for discharging drilling fluid from the borehole (3). The discharge means (50) comprises at least one pressure chamber (60, 61) for temporarily accommodating drilling fluid being discharged from the borehole (3), and control means (69) for controlling the fluid inflow into each pressure chamber (60, 61).



WO 03/025334 A1



Published:

— with international search report

For two-letter codes and other abbreviations, refer to the "Guidance Notes on Codes and Abbreviations" appearing at the beginning of each regular issue of the PCT Gazette.

SYSTEM FOR CONTROLLING THE DISCHARGE OF DRILLING FLUID

The present invention relates to a drilling system and a method for drilling a borehole into an earth formation, the drilling system comprising pump means for pumping drilling fluid into the borehole and discharge means for discharging drilling fluid from the borehole.

The drilling system may furthermore comprise a drill string extending into the borehole whereby an annular space is formed between the drill string and the borehole wall, the annular space containing a body of drilling fluid. The drill string generally has a longitudinal passage for pumping drilling fluid into the annular space through a opening near the lower end of the drill string. The drilling fluid can be discharged from the borehole through a discharge conduit connected with the borehole near the upper end of said annular space. The flow of drilling fluid through said annular space can be controlled by said discharge means, for example by a controllable resistance in said discharge conduit.

Therefore the discharge conduit can be provided with a choke valve providing a controllable throttle opening. However, because of rock debris and contaminated mud in the drilling fluid a throttle opening in the discharge conduit shall be worn out soon.

WO-A-0079092 discloses such drilling system, whereby the discharge means control the discharge of drilling fluid, and therewith the flow of drilling fluid through the annular space. Therefore the discharge conduit is provided with a controllable outlet valve. As an alternative WO-A-0079092 describes an injection pump arranged to pump injection fluid via an injection nozzle into the discharge conduit in a direction opposite to the direction of flow of drilling fluid through the discharge

conduit. By controlling the injection fluid, the resistance in the discharge conduit can be controlled.

It is an object of the invention to provide for an improved system and method for controlling the discharge of drilling fluid from a borehole.

In accordance with the invention there is provided a drilling system for drilling a borehole into an earth formation, the drilling system comprising pump means for pumping drilling fluid into the borehole and discharge means for discharging drilling fluid from the borehole, wherein the discharge means comprises at least one pressure chamber for temporarily accommodating drilling fluid being discharged from the borehole, and control means for controlling the fluid inflow into each pressure chamber.

Thereby it is achieved that the drilling fluid from the borehole is transported to the pressure chamber and the inflow of it into the pressure chamber can be controlled without a restriction through which the drilling fluid has to flow.

Preferably said control means is arranged to control the fluid pressure in the pressure chamber.

The inflow of drilling fluid into the pressure chamber can be controlled by controlling the outflow of gas or liquid which is expelled from the pressure chamber by the inflow of drilling fluid. Such gas or liquid, hereinafter referred to as expel fluid, can be led through a controllable throttle opening, thereby controlling the inflow of drilling fluid. In fact thereby the said control means control fluid pressure above the drilling fluid in the pressure chamber.

In fact the discharge of drilling fluid from the borehole is controlled by throttling the expel fluid in stead of throttling the drilling fluid. And because the expel fluid does not contain rock debris or contaminated

mud, there is no wear problem in the choke valve throttling the fluid.

5 Preferably the pressure chamber is provided with two compartments separated by a flexible membrane, whereby one of the compartments is to be filled with drilling fluid and the other compartment contains an expel fluid, whereby said control means control the outflow of said expel fluid from the pressure chamber.

10 In a preferred embodiment two or more pressure chambers being alternately filled with drilling fluid from the borehole, whereby said control means control the inflow of drilling fluid in each of the pressure chambers. By making use of more than one pressure chamber, the drilling fluid can be removed from a pressure while the drilling fluid from the borehole can be led to another pressure chamber.

15 Preferably two pressure chambers are interconnected by an expel fluid conduit for transporting an expel fluid between the two pressure chambers, whereby said control means comprise a control valve in said expel fluid conduit.

20 In a preferred embodiment the discharge means comprise two pressure chambers, each provided with a membrane to form a drilling fluid compartment and an expel fluid compartment, both having a variable content, the expel fluid compartments being interconnected by an expel fluid conduit provided with a control valve for controlling flow through said expel fluid conduit, the system furthermore being provided with inlet valve means to direct the drilling fluid to be discharged alternately to one of said drilling fluid compartments and with outlet valve means to remove drilling fluid from the other drilling fluid compartment.

25
30
35 The invention furthermore relate to a method for drilling a borehole into an earth formation, whereby drilling fluid is pumped into the borehole and whereby

drilling fluid is discharged from the borehole and transported to a pressure chamber, whereby the inflow of drilling fluid into the pressure chamber is controlled.

5 The invention will now be described in more detail and by way of example with reference to the accompanying drawing in which:

Figure 1 schematically shows an embodiment of a drilling system; and

10 Figures 2 and 3 schematically show the drilling fluid discharge means.

In the figures like reference numerals relate to like components.

In figure 1 is shown a drill string 1 extending into a borehole 3 formed in an earth formation 5 and provided with a drill bit 7 and a bottom hole assembly (BHA, not shown). The drill string 1 is made up of a plurality of drill string joints, whereby each pair of adjacent joints is interconnected by a releasable connector. For the purpose of clarity only one of the uppermost connectors 9a, 9b, which connects the uppermost joint to the remainder of the drill string 1, is shown (in disconnected mode). In the description hereinafter, the upper drill string joint is referred to as the upper drill string section 10 and the remainder of the drill string 1 is referred to as the lower drill string section 12. The lower drill section 12 is supported at rig floor 14 of a drilling rig (not shown) by power slips 16. The upper drill string section 10 is supported by a top drive 18 which is capable of supporting the entire drill string 1 and which is provided with a drive system (not shown) for rotating the drill string 1 during drilling. A primary pump 19 is in fluid communication with the upper drill string section to pump drilling fluid through the drill string 1 when the connector 9a, 9b is in connected mode.

15
20
25
30
35

A fluid chamber 20 is supported by a support column 22 provided at rig floor 14 in a manner allowing the fluid chamber 20 to move up or down along the column 22, and means (not shown) are provided to control such movement. The upper drill string section 10 extends into the fluid chamber 20 through an upper opening 24 of the fluid chamber 20 so that the open lower end of the upper drill string section 10 is located in an upper portion 25 of the chamber 20. The lower drill string section 12 extends into the fluid chamber 20 through a lower opening 26 of the fluid chamber 20 so that the open upper end of the lower drill string section 12 is located in a lower portion 27 of the chamber 20. Both upper opening 24 and lower opening 26 are of a sufficiently large diameter to allow passage of the drill string connectors (which generally are of slightly larger diameter than the drill string sections) therethrough. Furthermore, the upper and lower openings 24, 26 are provided with seals 29a, 29b which are controllable so as to be moved radially inward and thereby to seal against the respective upper and lower drill string sections 10,12. The lower portion 27 of chamber 20 is provided with a fluid inlet 28 in fluid communication with a secondary pump 30 to pump drilling fluid through the lower drill string section 12 when the connector 9a, 9b is in disconnected mode.

The upper portion 25 and the lower portion 27 of the fluid chamber 20 are selectively sealed from each other by a partitioning means in the form of a valve 32. A control device (not shown) is provided to open or close the valve 32, whereby in its open position the valve 32 allows passage of drill string 1 through the valve 32. Furthermore, in the open position of the valve 32, the upper portion 25 and the lower portion 27 of the fluid chamber 20 are in fluid communication with each other. A pair of power tongues 34,36 connecting and disconnecting

the connector 9a,9b is attached to the fluid chamber 20 at the lower side thereof.

5 An annular space 38 is defined between the lower drill string section 12 on one hand and the borehole wall and a wellbore casing 42 on the other hand, which annular space is filled with a body of drilling fluid 40. The annular space 38 is at its upper end sealed by a rotating blowout preventor (BOP) 46 which allows rotation and vertical movement of the drill string 1. A drilling fluid discharge conduit 48 is provided at the upper end of the annular space 38, which discharge conduit 48 debouches into a drilling fluid reservoir (not shown) via discharge means 50, which discharge means shall be elucidated hereinafter referring to figures 2 and 3. A tertiary pump 52 is arranged in parallel with the discharge means 50, which pump 52 is in fluid communication with the discharge conduit 48 at a branch connection 54 located between the discharge means 50 and the rotating BOP 46. The pump 52 is operable so as to pump drilling fluid from a drilling fluid reservoir (not shown) into the annular space 38. The lower part of the drill string 1 is provided with means for controlling the flow of drilling fluid from the body of drilling fluid 40 into the drill string 1 in the form of a non-return valve (not shown) which prevents such return flow.

25 During normal operation the drill string 1 is rotated by the top drive 18 to further drill the borehole 3 whereby the connector 9a,9b is in connected mode. A stream of drilling fluid is pumped by primary pump 19 via the drill string 1 and the drill bit 7 into the annular space 38 where drill cuttings are entrained into the stream. The stream then flows in upward direction through the annular space 38 and via the discharge conduit 48 and the discharge means 50 into the drilling fluid reservoir (not shown). The fluid pressure in the annular space 38 is controlled by controlling the pump rate of pump 19

and/or by controlling the discharge means 50 and/or the tertiary pump 52.

When it is desired to remove the drill string from the borehole 3, the individual drill strings joints are to be disconnected and removed from the drill string 1 in sequential order. This is done by disconnecting and removing the uppermost joint, moving the drill string 1 upwardly to a position wherein the joint which is now the uppermost joint can be removed, etc. To remove the uppermost joint (i.e. drill string section 10) the following procedure is followed. Rotation of the drill string 1 by the top drive 18 is stopped while drilling fluid is continuously circulated through the drill string by operation of primary pump 19. The fluid chamber 20 is moved along support column 22 to a position where the power tongues 34,36 are located at the level of the connector 9a,9b, whereupon the tongues 34,36 are operated so as to break out and partly unscrew the connector 9a,9b. The connector 9a,9b is unscrewed by the slips only to the extent that further unscrewing can be done by the top drive 18. The fluid chamber 20 is then moved along support column 22 so as to position connector 9a,9b inside the lower fluid chamber portion 27, and the seals 29a,29b are moved radially inward so as to seal against the respective upper and lower drill string sections 10,12. The secondary pump 30 is operated to pressurise fluid chamber 20. The top drive is then rotated in counter clockwise direction thereby further unscrewing the connector 9a,9b. Once the connector 9a,9b becomes disconnected the upper drill string section 10 is raised a short distance so as to position the upper connector half 9a in the upper portion 25 of the fluid chamber 20. The valve 32 is closed so as to seal the upper fluid chamber portion 25 from the lower fluid chamber portion 27. Simultaneously with closing the valve 32 the primary pump 19 is stopped and the secondary pump 30 is

operated to pump drilling fluid through the fluid inlet 28 into the lower fluid chamber portion 27 and from there through lower drill string section 12 into the annular space 38. The seal 29a is retracted to remove the upper drill string section, and the drill string joint which has now become the uppermost joint is connected to the top drive 18. The procedure described heretofore is repeated in order to remove the now uppermost drill string joint. By the continued circulation of drilling fluid through the borehole 3 it is achieved that undesired settling of particles (e.g. drill cuttings) in the borehole occurs, and that the fluid pressure in the borehole can be controlled by controlling the pump rate of pump 30 and/or controlling the discharge means 50.

Instead of using the secondary pump 30 to pump drilling fluid through the lower drill string section 12 when the connector 9a,9b is disconnected, the primary pump 19 can be used for this purpose in which case the primary pump 19 is connected to the fluid inlet 28 by suitable conduit means.

The above procedure relies on the use of the fluid chamber 20 to control the fluid pressure in the borehole by continued fluid circulation through the drill string 1 when the upper drill string section 10 is disconnected. In case it is impractical or impossible to use the fluid chamber an alternative procedure can be applied to connect or disconnect the upper drill string section 10 to or from the drill string 1. In the alternative procedure, which can be applied in the absence of the fluid chamber, the tertiary pump 52 is operated so as to pump drilling fluid through the circuit formed by the pump 52, the branch connection 54, and the discharge means 50. By controlling the pump rate of pump 52 and/or by controlling the discharge means 50 the fluid pressure in the annular space 38 can be controlled. The non-return valve in the drill string 1 prevents flow of drilling

fluid from the annular space 38 into the drill string 1. The alternative procedure can be used, for example, in case drill string stabilisers prevent passage of the drill string through the fluid chamber.

5 An advantage of continued fluid circulation through the drill string 1 using the fluid chamber 20 when the upper drill string joint are disconnected, is that the drilling fluid in the open part of the borehole 3 keeps flowing so that undesired settling of particles in the
10 borehole is prevented. However once the drill string has been raised to a level whereby the drill bit 7 is located within the casing 42, the drilling fluid which is pumped through the drill string 1 returns from the bit 7 through the annular space 38 to surface thereby leaving the
15 drilling fluid in the open part of the borehole 3 stationary. It is therefore preferred that, once the drill bit 7 is within the casing 42, pumping of drilling fluid by secondary pump 30 is stopped and pumping by tertiary pump 52 is commenced to control the fluid
20 pressure in the borehole. This procedure has the advantage that the fluid chamber 20 then is no longer required and can be removed from the drill string.

 Figures 2 and 3 show the discharge means 50 in more detail. The flow of drilling fluid to be discharged is
25 supplied to the discharge means by discharge conduit 48.

 The discharge means comprise two pressure chambers 60,61. Each pressure chamber is provided with a membrane 62,63 made out of flexible material, such as rubber. The membrane 62,63 divides each pressure chamber 60,61 in two
30 compartments, a drilling fluid compartment 64,65 and an expel fluid compartment 66,67. Both expel fluid compartments 66,67 are interconnected by an expel fluid conduit 68 passing a control valve 69, which control valve 69 is a choke valve for controlling the flow of
35 expel fluid through conduit 68 by throttling that flow.

The drilling fluid compartment 64,65 of each pressure chamber 60,61 is provided with inlet valve means (70,71) to direct the drilling fluid to be discharged to the drilling fluid compartment 64 or 65 respectively, and is provided with outlet valve means (72,73) to remove drilling fluid from the drilling fluid compartment 64 or 65 respectively.

Figure 2 shows a first mode of the discharge means and figure 3 shows a second mode.

In the first mode, as shown in figure 2, inlet valve 70 is open and inlet valve 71 is closed. Furthermore outlet valve 72 is closed and outlet valve 73 is open. The flow of drilling fluid is indicated with arrows 75. From conduit 48 the drilling fluid flows to drilling fluid compartment 64, whereby the membrane 62 is moved upwardly. Therefore expel fluid is expelled from compartment 66 through conduit 68 to expel fluid compartment 67, thereby passing choke valve 69. The flow of expel fluid is indicated with arrows 76. The inflow of expel fluid into compartment 67 moves the membrane 63 downward, expelling the drilling fluid from compartment 65, which drilling fluid can be further transported, for example to a filtering system (not shown).

The flow of drilling fluid to compartment 64 is controlled by controlling choke valve 69 up to the moment that drilling fluid compartment 64 is completely filled with drilling fluid. At that moment the discharge means are shifted to the second mode as shown in figure 3.

In the second mode, as shown in figure 3, inlet valve 70 is closed and inlet valve 71 is open. Furthermore outlet valve 72 is open and outlet valve 73 is closed. The flow of drilling fluid is indicated with arrows 75. From conduit 48 the drilling fluid flows to drilling fluid compartment 65, whereby the membrane 63 is moved upwardly. Therefore expel fluid is expelled from compartment 67 through conduit 68 to expel fluid

compartment 67, thereby passing choke valve 69. The flow of expel fluid is indicated with arrows 76. The inflow of expel fluid into compartment 66 moves the membrane 62 downward, expelling the drilling fluid from compartment 64, which drilling fluid can be further transported, for example to a filtering system (not shown).

During operation of the discharge means the first and the second mode will alternate with each other, whereby the choke valve 69 may be maintained in the same position to achieve a predetermined resistance in expel conduit 68 in both modes. That will result in a constant resistance for the drilling fluid passing the discharge means. By changing the position of the choke valve 69 that resistance will be changed.

C L A I M S

1. A drilling system for drilling a borehole (3) into an earth formation (5), the drilling system comprising pump means (19,30) for pumping drilling fluid into the borehole (3) and discharge means (50) for discharging drilling fluid from the borehole (3), wherein the discharge means (50) comprises at least one pressure chamber (60,61) for temporarily accommodating drilling fluid being discharged from the borehole (3), and control means (69) for controlling the fluid inflow into each pressure chamber (60,61).
2. The drilling system of to claim 1, wherein said control means (69) is arranged to control the fluid pressure in the pressure chamber (60,61).
3. The drilling system of claim 1 or 2, wherein the pressure chamber contains an expel fluid, and wherein the control means is arranged to control the outflow of expel fluid from the pressure chamber.
4. The drilling system according to claim 3, wherein the pressure chamber (60,61) is provided with first and second compartments separated by a movable wall (62,63), whereby one of the compartments (64,65) is filled with drilling fluid and the other compartment (66,67) contains said expel fluid.
5. The drilling system of claim 4, wherein said movable wall includes a flexible membrane
6. The drilling system of any one of the preceding claims, wherein the discharge means comprises two or more said pressure chambers (60,61) arranged to be alternately filled with drilling fluid from the borehole (3), whereby said control means (69) controls the inflow of drilling fluid into each of the pressure chambers (60,61).

- 5 7. The drilling system according to any one of the preceding claims, wherein two said pressure chambers (60,61) are interconnected by an expel fluid conduit (68) for transporting expel fluid between the two pressure chambers (60,61).
8. The drilling system according to claim 7, wherein said control means comprises a control valve (69) in said expel fluid conduit (68).
- 10 9. The drilling system according to any one of the preceding claims, wherein the discharge means (50) comprises two pressure chambers (60,61), each pressure chamber being provided with a membrane (62,63) to form a drilling fluid compartment (64,65) and an expel fluid compartment (66,67), the expel fluid compartments (66,67) being interconnected by an expel fluid conduit (68) provided with a control valve (69) for controlling flow through said expel fluid conduit (68), and wherein the system further comprises inlet valve means (70,71) to direct the drilling fluid to be discharged alternately to one of said drilling fluid compartments (64,65) and with outlet valve means (72,73) to remove drilling fluid from the other drilling fluid compartment (65,64).
- 20 10. A method of drilling a borehole (3) into an earth formation (5), whereby drilling fluid is pumped into the borehole (3) and whereby drilling fluid is discharged from the borehole (3) and transported to a pressure chamber (60,61), whereby the inflow of drilling fluid into the pressure chamber (60,61) is controlled.
- 25 11. The method of claim 10, whereby said inflow of drilling fluid is controlled by controlling the fluid pressure in the pressure chamber (60,61).
- 30 12. The method of claim 10 or 11, wherein the pressure chamber (60,61) contains an expel fluid, and wherein the outflow of expel fluid from the pressure chamber is controlled.
- 35

13. The method of any one of claims 10-12, whereby two or more pressure chambers (60,61) are alternately filled with drilling fluid from the borehole (3), and the inflow of drilling fluid into each of the pressure chambers (60,61) is controlled.
14. The method according to any one of the claims 10-13, whereby two pressure chambers (60,61) are present, and whereby expel fluid is transported from one pressure chamber to the other.
15. The method according to claim 14, whereby the transport of the expel fluid is controlled by a control valve (69).
16. The method according to any one of the claims 10-15, whereby two pressure chambers (60,61) are present each provided with a membrane (62,63) to form a drilling fluid compartment (64,65) and an expel fluid compartment (66,67), both having a variable content, the expel fluid compartments (66,67) being interconnected by an expel fluid conduit (68) in which the flow of expel fluid is controlled by a control valve (79), whereby drilling fluid to be discharged is alternately directed to one of said drilling fluid compartments (64,65), while drilling fluid from the other drilling fluid compartment (65,64) is removed.

Fig. 1.

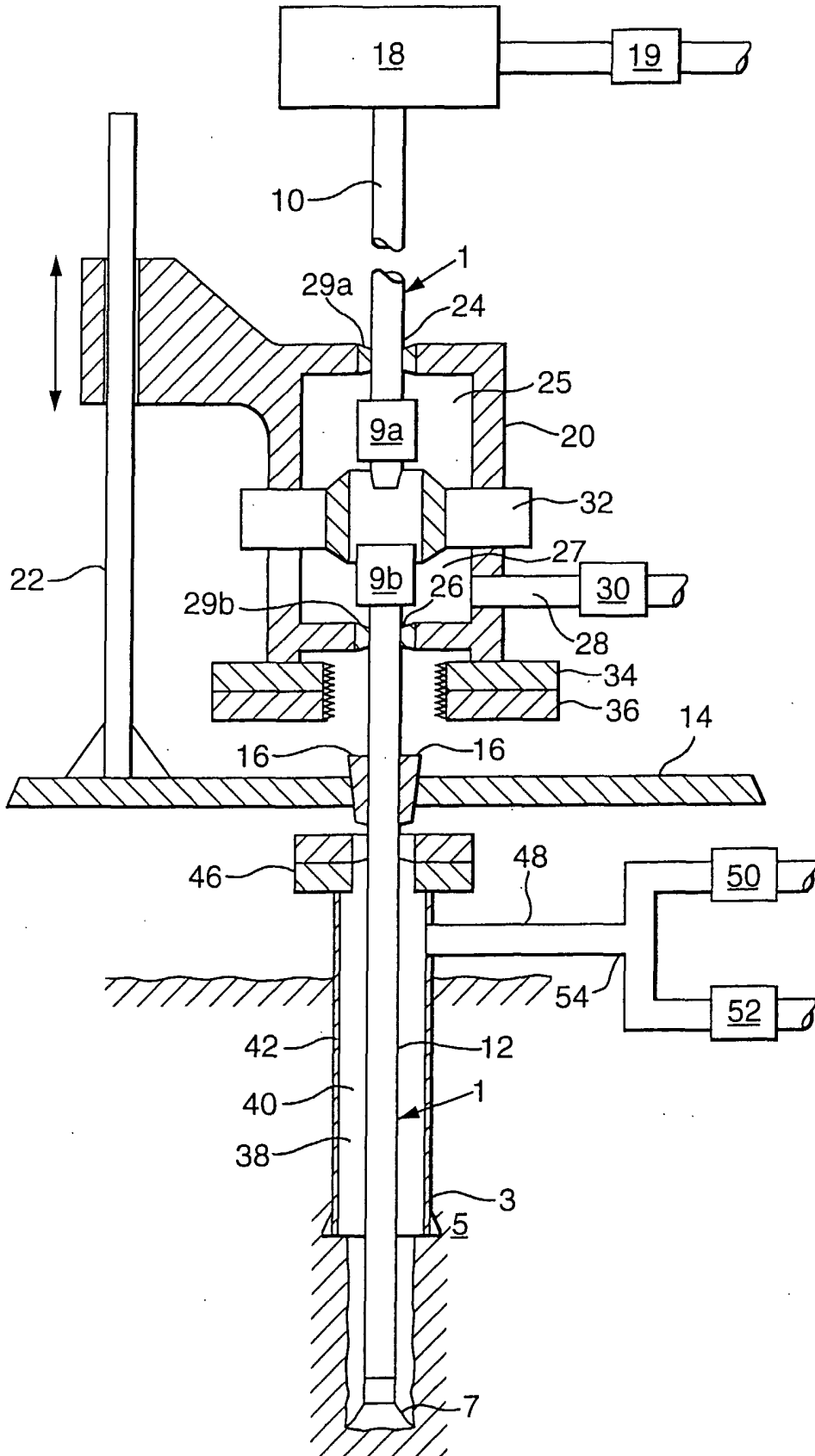


Fig.2.

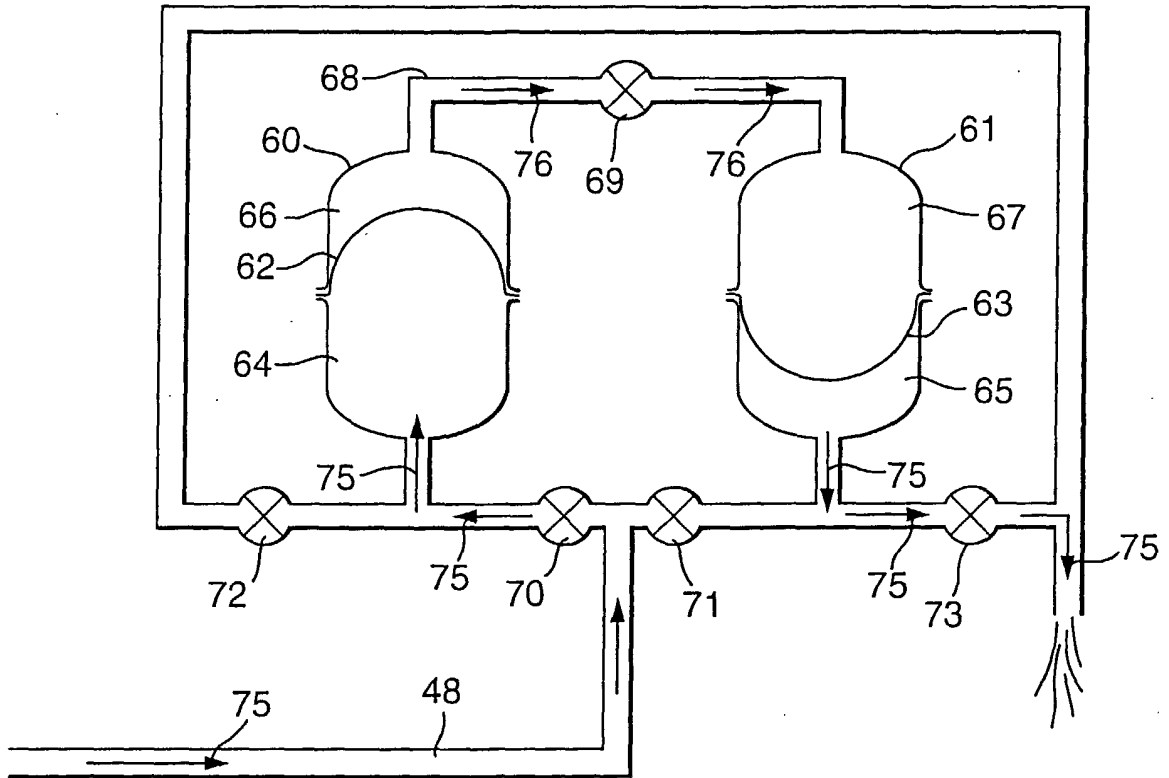
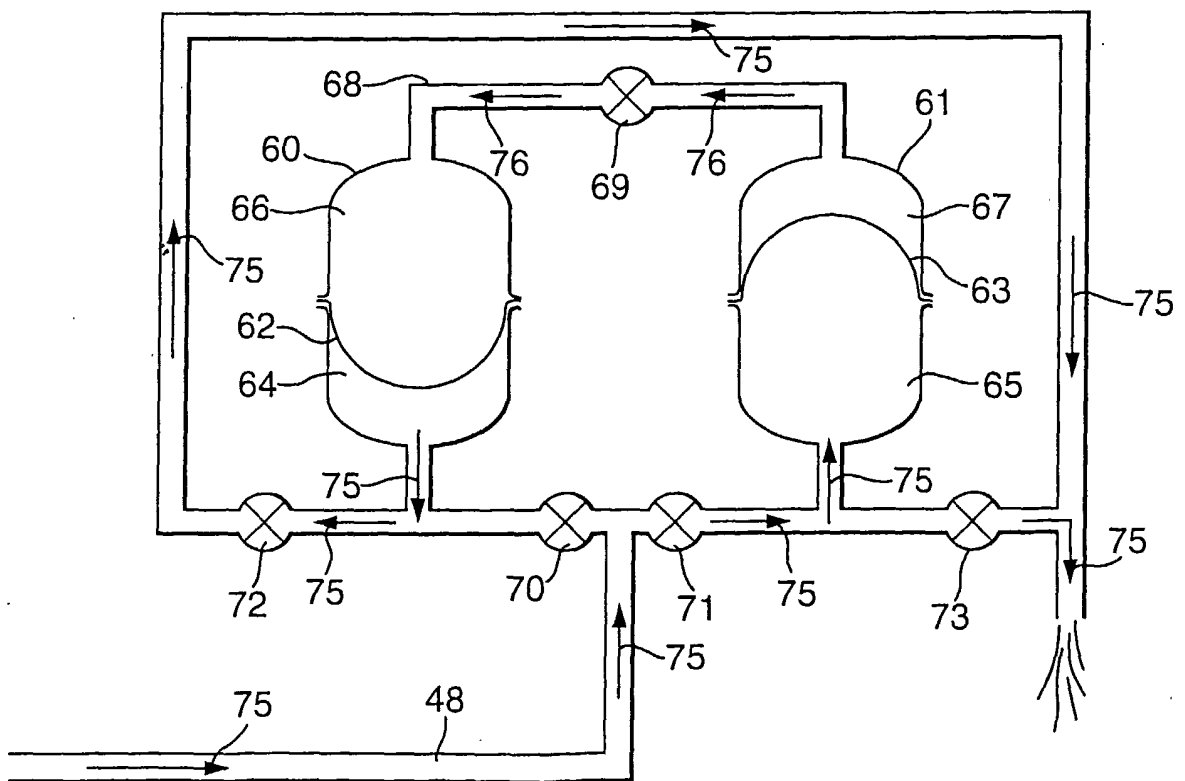


Fig.3.



INTERNATIONAL SEARCH REPORT

International Application No
PCT/EP 02/10366

A. CLASSIFICATION OF SUBJECT MATTER IPC 7 E21B21/08 E21B21/10		
According to International Patent Classification (IPC) or to both national classification and IPC		
B. FIELDS SEARCHED		
Minimum documentation searched (classification system followed by classification symbols) IPC 7 E21B		
Documentation searched other than minimum documentation to the extent that such documents are included in the fields searched		
Electronic data base consulted during the international search (name of data base and, where practical, search terms used) EPO-Internal		
C. DOCUMENTS CONSIDERED TO BE RELEVANT		
Category °	Citation of document, with indication, where appropriate, of the relevant passages	Relevant to claim No.
X	US 6 102 673 A (MOTT KEITH C ET AL) 15 August 2000 (2000-08-15) column 17, line 60 -column 18, line 25 column 19, line 65 -column 21, line 3 figures 8,9A,10A ---	1-16
X	US 5 890 549 A (SPREHE PAUL ROBERT) 6 April 1999 (1999-04-06) column 4, line 50 - line 54 column 6, line 30 - line 55 ---	1,2,10, 11
X	WO 01 20120 A (EXXONMOBIL UPSTREAM RES COMPAN) 22 March 2001 (2001-03-22) page 5, line 9 -page 6, line 6 ---	1,10
A	US 6 033 192 A (WOOD RICHARD ROY) 7 March 2000 (2000-03-07) figure 7 -----	1-16
<input type="checkbox"/> Further documents are listed in the continuation of box C.		
<input checked="" type="checkbox"/> Patent family members are listed in annex.		
° Special categories of cited documents :		
A document defining the general state of the art which is not considered to be of particular relevance *E* earlier document but published on or after the international filing date *L* document which may throw doubts on priority claim(s) or which is cited to establish the publication date of another citation or other special reason (as specified) *O* document referring to an oral disclosure, use, exhibition or other means *P* document published prior to the international filing date but later than the priority date claimed	*T* later document published after the international filing date or priority date and not in conflict with the application but cited to understand the principle or theory underlying the invention *X* document of particular relevance; the claimed invention cannot be considered novel or cannot be considered to involve an inventive step when the document is taken alone *Y* document of particular relevance; the claimed invention cannot be considered to involve an inventive step when the document is combined with one or more other such documents, such combination being obvious to a person skilled in the art. *&* document member of the same patent family	
Date of the actual completion of the international search <p style="text-align: center;">11 December 2002</p>	Date of mailing of the international search report <p style="text-align: center;">18/12/2002</p>	
Name and mailing address of the ISA European Patent Office, P.B. 5818 Patentlaan 2 NL - 2280 HV Rijswijk Tel. (+31-70) 340-2040, Tx. 31 651 epo nl, Fax: (+31-70) 340-3016	Authorized officer <p style="text-align: center;">Garrido Garcia, M</p>	

INTERNATIONAL SEARCH REPORT

Information on patent family members

International Application No

PCT/EP 02/10366

Patent document cited in search report		Publication date	Patent family member(s)	Publication date
US 6102673	A	15-08-2000	AU 3105599	A 18-10-1999
			BR 9909170	A 04-12-2001
			CA 2326353	A1 07-10-1999
			EP 1075582	A2 14-02-2001
			WO 9950524	A2 07-10-1999
			AU 3366499	A 18-10-1999
			AU 3366599	A 18-10-1999
			BR 9909171	A 13-11-2001
			BR 9909172	A 13-11-2001
			CA 2326129	A1 30-09-1999
			CA 2326358	A1 30-09-1999
			EP 1082515	A1 14-03-2001
			EP 1071862	A1 31-01-2001
			NO 20004849	A 27-11-2000
			WO 9949172	A1 30-09-1999
			WO 9949173	A1 30-09-1999
			US 6325159	B1 04-12-2001
			US 6230824	B1 15-05-2001
			US 2002066596	A1 06-06-2002
US 5890549	A	06-04-1999	AU 5792898	A 17-07-1998
			US 5975219	A 02-11-1999
			WO 9828517	A1 02-07-1998
			US 5992544	A 30-11-1999
WO 0120120	A	22-03-2001	AU 7352000	A 17-04-2001
			BR 0014036	A 14-05-2002
			WO 0120120	A1 22-03-2001
US 6033192	A	07-03-2000	AU 3184097	A 14-01-1998
			DE 19781852	T0 01-07-1999
			WO 9749897	A1 31-12-1997
			ZA 9705531	A 23-12-1998
			AU 739992	B2 25-10-2001
			BR 9711602	A 31-10-2000
			ZA 9811748	A 13-07-1999
			ZA 9811749	A 13-07-1999