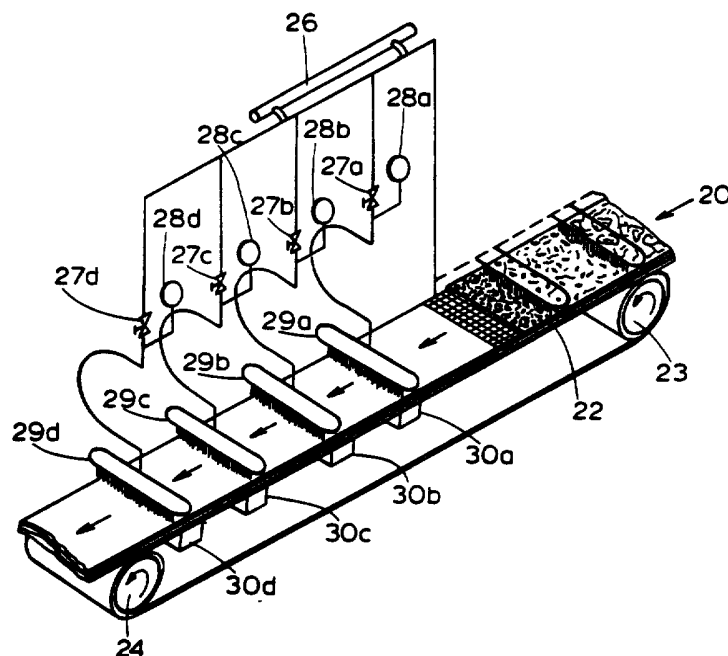




INTERNATIONAL APPLICATION PUBLISHED UNDER THE PATENT COOPERATION TREATY (PCT)

(51) International Patent Classification ⁶ : D04H 1/46	A3	(11) International Publication Number: WO 96/14457 (43) International Publication Date: 17 May 1996 (17.05.96)
<p>(21) International Application Number: PCT/US95/13803</p> <p>(22) International Filing Date: 26 October 1995 (26.10.95)</p> <p>(30) Priority Data: 08/333,269 2 November 1994 (02.11.94) US</p> <p>(71) Applicant: THE PROCTER & GAMBLE COMPANY [US/US]; One Procter & Gamble Plaza, Cincinnati, OH 45202 (US).</p> <p>(72) Inventors: TROKHAN, Paul, Dennis; 1356 Warvel Road, Hamilton, OH 45013 (US). ROE, Donald, Carroll; 6324 Emberwood Court, West Chester, OH 45069 (US).</p> <p>(74) Agents: REED, T., David et al.; The Procter & Gamble Company, 5299 Spring Grove Avenue, Cincinnati, OH 45217 (US).</p>	<p>(81) Designated States: AM, AU, BB, BG, BR, BY, CA, CN, CZ, EE, FI, GE, HU, IS, JP, KE, KG, KP, KR, KZ, LK, LR, LT, LV, MD, MG, MK, MN, MX, NO, NZ, PL, RO, RU, SG, SI, SK, TJ, TT, UA, UZ, VN, European patent (AT, BE, CH, DE, DK, ES, FR, GB, GR, IE, IT, LU, MC, NL, PT, SE), OAPI patent (BF, BJ, CF, CG, CI, CM, GA, GN, ML, MR, NE, SN, TD, TG), ARIPO patent (KE, LS, MW, SD, SZ, UG).</p> <p>Published <i>With international search report.</i></p> <p>(88) Date of publication of the international search report: 18 July 1996 (18.07.96)</p>	

(54) Title: METHOD OF PRODUCING NONWOVEN FABRICS



(57) Abstract

A method of forming apertured webs is provided comprising the steps of: a) forming a foraminous member comprising gross foramina and fine foramina wherein the gross foramina define a patterned design superimposed on the fine foramina by means of applying and curing a photosensitive resin onto a foraminous element comprising fine foramina in order to form elevated portions on the fine foramina defining the gross foramina; b) providing a layer of fibers on said foraminous member; and c) applying fluid streams to said layer of fibers such that the fibers are randomly entangled in regions interconnected by fibers extending between adjacent entangled regions in a pattern determined by the pattern of the gross foramina of the foraminous member to form an apertured web.

FOR THE PURPOSES OF INFORMATION ONLY

Codes used to identify States party to the PCT on the front pages of pamphlets publishing international applications under the PCT.

AT	Austria	GB	United Kingdom	MR	Mauritania
AU	Australia	GE	Georgia	MW	Malawi
BB	Barbados	GN	Guinea	NE	Niger
BE	Belgium	GR	Greece	NL	Netherlands
BF	Burkina Faso	HU	Hungary	NO	Norway
BG	Bulgaria	IE	Ireland	NZ	New Zealand
BJ	Benin	IT	Italy	PL	Poland
BR	Brazil	JP	Japan	PT	Portugal
BY	Belarus	KE	Kenya	RO	Romania
CA	Canada	KG	Kyrgystan	RU	Russian Federation
CF	Central African Republic	KP	Democratic People's Republic of Korea	SD	Sudan
CG	Congo	KR	Republic of Korea	SE	Sweden
CH	Switzerland	KZ	Kazakhstan	SI	Slovenia
CI	Côte d'Ivoire	LI	Liechtenstein	SK	Slovakia
CM	Cameroon	LK	Sri Lanka	SN	Senegal
CN	China	LU	Luxembourg	TD	Chad
CS	Czechoslovakia	LV	Latvia	TG	Togo
CZ	Czech Republic	MC	Monaco	TJ	Tajikistan
DE	Germany	MD	Republic of Moldova	TT	Trinidad and Tobago
DK	Denmark	MG	Madagascar	UA	Ukraine
ES	Spain	ML	Mali	US	United States of America
FI	Finland	MN	Mongolia	UZ	Uzbekistan
FR	France			VN	Viet Nam
GA	Gabon				

INTERNATIONAL SEARCH REPORT

International Application No
PCT/US 95/13803

A. CLASSIFICATION OF SUBJECT MATTER
IPC 6 D04H1/46

According to International Patent Classification (IPC) or to both national classification and IPC

B. FIELDS SEARCHED

Minimum documentation searched (classification system followed by classification symbols)
IPC 6 D04H

Documentation searched other than minimum documentation to the extent that such documents are included in the fields searched

Electronic data base consulted during the international search (name of data base and, where practical, search terms used)

C. DOCUMENTS CONSIDERED TO BE RELEVANT

Category *	Citation of document, with indication, where appropriate, of the relevant passages	Relevant to claim No.
Y	US,A,4 514 345 (JOHNSON BRUCE A ET AL) 30 April 1985 cited in the application see whole document	1,3-6, 8-10
Y	US,A,4 379 799 (HOLMES RORY A ET AL) 12 April 1983 see column 1, line 25 - column 5, line 38	1,3-6, 8-10
A	US,A,5 098 522 (SMURKOSKI JOHN A ET AL) 24 March 1992 cited in the application see column 46, line 3 - column 63, line 41	1-3
A	US,A,5 115 544 (WIDEN CHRISTIAN B) 26 May 1992 see whole document	1,2

Further documents are listed in the continuation of box C.

Patent family members are listed in annex.

* Special categories of cited documents :

- *A* document defining the general state of the art which is not considered to be of particular relevance
- *E* earlier document but published on or after the international filing date
- *L* document which may throw doubts on priority claim(s) or which is cited to establish the publication date of another citation or other special reason (as specified)
- *O* document referring to an oral disclosure, use, exhibition or other means
- *P* document published prior to the international filing date but later than the priority date claimed

- *T* later document published after the international filing date or priority date and not in conflict with the application but cited to understand the principle or theory underlying the invention
- *X* document of particular relevance; the claimed invention cannot be considered novel or cannot be considered to involve an inventive step when the document is taken alone
- *Y* document of particular relevance; the claimed invention cannot be considered to involve an inventive step when the document is combined with one or more other such documents, such combination being obvious to a person skilled in the art.
- *&* document member of the same patent family

Date of the actual completion of the international search 15 April 1996	Date of mailing of the international search report 02.05.96
Name and mailing address of the ISA European Patent Office, P.B. 5818 Patentlaan 2 NL - 2280 HV Rijswijk Tel. (+ 31-70) 340-2040, Tx. 31 651 epo nl, Fax (+ 31-70) 340-3016	Authorized officer V Beurden-Hopkins, S

INTERNATIONAL SEARCH REPORT

International Application No
PCT/US 95/13803

Patent document cited in search report	Publication date	Patent family member(s)	Publication date
US-A-4514345	30-04-85	NONE	

US-A-4379799	12-04-83	AU-B- 546110	15-08-85
		AU-B- 8057282	26-08-82
		CA-A- 1179491	18-12-84
		CA-A- 1180888	15-01-85
		NL-A- 8200485	16-09-82

US-A-5098522	24-03-92	AT-T- 114007	15-11-94
		AU-B- 662487	07-09-95
		AU-B- 8207391	23-01-92
		CA-A- 2083371	30-12-91
		CN-A,B 1062568	08-07-92
		DE-D- 69105138	15-12-94
		DE-T- 69105138	01-06-95
		EP-A- 0536281	14-04-93
		ES-T- 2063517	01-01-95
		JP-T- 5508450	25-11-93
		PT-A- 98151	31-01-94
		US-A- 5364504	15-11-94
		WO-A- 9200414	09-01-92
US-A- 5260171	09-11-93		

US-A-5115544	26-05-92	NONE	
