



US00D346728S

United States Patent [19]

[11] Patent Number: **Des. 346,728**

Lawson

[45] Date of Patent: **** May 10, 1994**

[54] FILTER SEPARATION TOOL

4,836,592	6/1989	Roberts	294/1.1
4,848,815	7/1989	Molloy	294/1.1
4,953,902	9/1990	Brown	294/1.1
4,957,217	9/1990	Ritson	294/1.1

[76] Inventor: **Brian Lawson, 448 West St., Gardiner, Me. 04345**

[**] Term: **14 Years**

Primary Examiner—Bernard Ansher
Assistant Examiner—Philip Hyder
Attorney, Agent, or Firm—Lorraine Donaldson

[21] Appl. No.: **881,543**

[22] Filed: **May 12, 1992**

[57] **CLAIM**

[52] U.S. Cl. **D8/14**

The ornamental design for a filter separation tool, as shown and described.

[58] Field of Search **D8/14, 107; 221/210, 221/211; 294/1.1, 1.2, 19.1; 16/110 R; D28/46; D32/46**

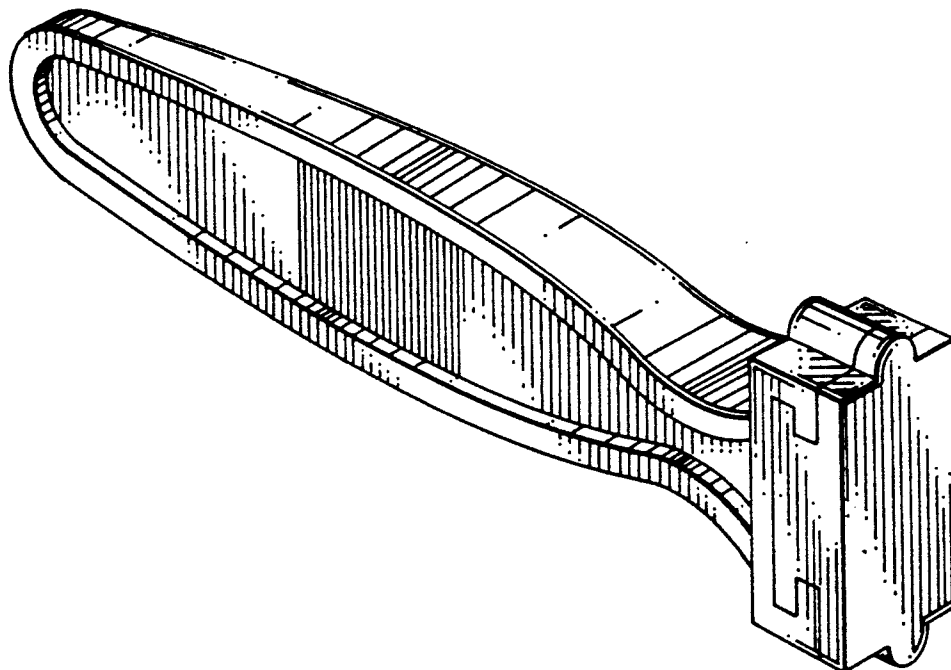
DESCRIPTION

[56] **References Cited**

U.S. PATENT DOCUMENTS

D. 222,959	2/1972	Riley	D8/107
D. 264,299	5/1982	Mefferd	D8/21

FIG. 1 is a front perspective view;
FIG. 2 is a side elevation view;
FIG. 3 is a top plan view;
FIG. 4 is a front elevational view; and,
FIG. 5 is a rear elevational view.



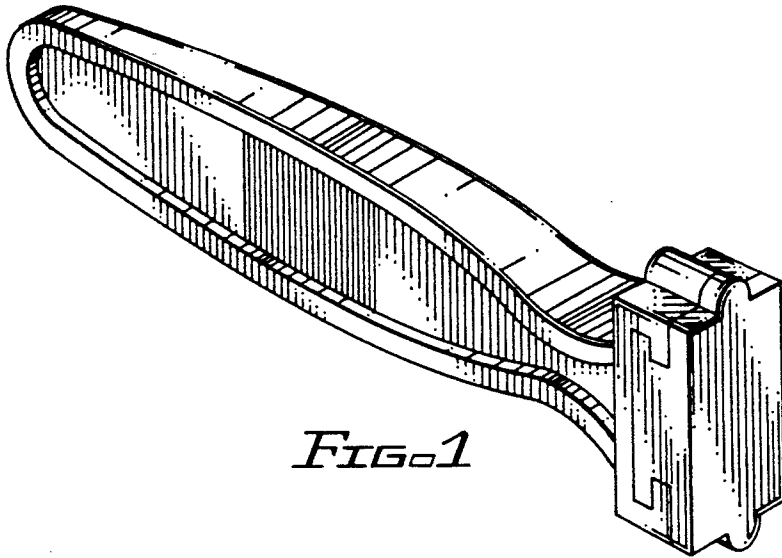


FIG. 1

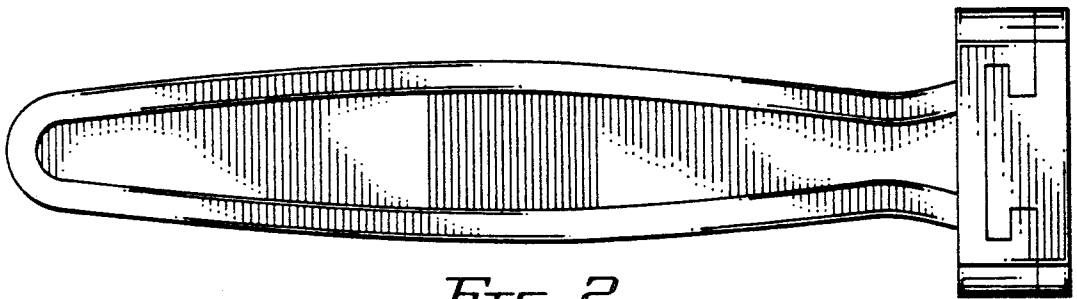


FIG. 2

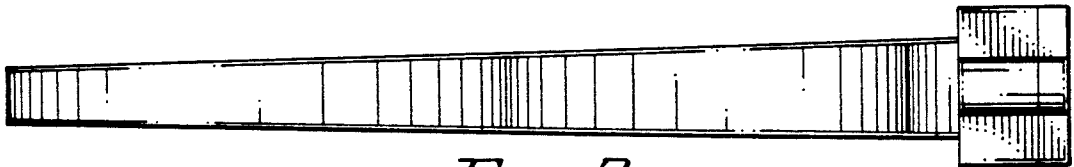


FIG. 3



FIG. 4

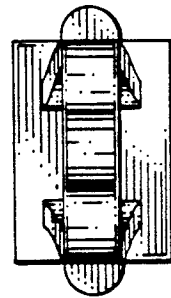


FIG. 5