



- (51) International Patent Classification: *E21B 33/08* (2006.01) *E21B 33/06* (2006.01)
- (21) International Application Number: PCT/US2015/028555
- (22) International Filing Date: 30 April 2015 (30.04.2015)
- (25) Filing Language: English
- (26) Publication Language: English
- (30) Priority Data: 61/986,661 30 April 2014 (30.04.2014) US
- (71) Applicant: WEATHERFORD TECHNOLOGY HOLDINGS, LLC [US/US]; 2000 Saint James Place, Houston, TX 77056 (US).
- (72) Inventor: CHAMBERS, James, W.; 11909 Spencer Rd, Houston, TX 77041 (US).
- (74) Agent: OATHOUT, Mark, A.; 3701 Kirby Drive, Suite 960, Houston, TX 77098 (US).
- (81) Designated States (unless otherwise indicated, for every kind of national protection available): AE, AG, AL, AM, AO, AT, AU, AZ, BA, BB, BG, BH, BN, BR, BW, BY, BZ, CA, CH, CL, CN, CO, CR, CU, CZ, DE, DK, DM, DO, DZ, EC, EE, EG, ES, FI, GB, GD, GE, GH, GM, GT, HN, HR, HU, ID, IL, IN, IR, IS, JP, KE, KG, KN, KP, KR, KZ, LA, LC, LK, LR, LS, LU, LY, MA, MD, ME, MG, MK, MN, MW, MX, MY, MZ, NA, NG, NI, NO, NZ, OM, PA, PE, PG, PH, PL, PT, QA, RO, RS, RU, RW, SA, SC, SD, SE, SG, SK, SL, SM, ST, SV, SY, TH, TJ, TM, TN, TR, TT, TZ, UA, UG, US, UZ, VC, VN, ZA, ZM, ZW.
- (84) Designated States (unless otherwise indicated, for every kind of regional protection available): ARIPO (BW, GH, GM, KE, LR, LS, MW, MZ, NA, RW, SD, SL, ST, SZ, TZ, UG, ZM, ZW), Eurasian (AM, AZ, BY, KG, KZ, RU, TJ, TM), European (AL, AT, BE, BG, CH, CY, CZ, DE, DK, EE, ES, FI, FR, GB, GR, HR, HU, IE, IS, IT, LT, LU,

[Continued on next page]

(54) Title: BEARING ASSEMBLY COOLING METHODS

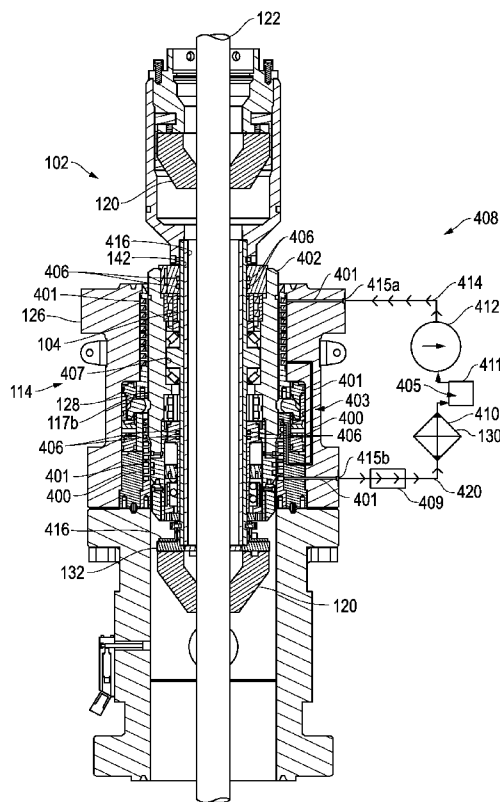


FIG. 2

(57) Abstract: The disclosure relates to apparatus and methods for cooling a RCD at a wellbore including a bearing assembly configured for operating in the RCD. A fixed latch with a heat exchanger system and a volume of a cooling medium is configured for reducing heat proximate the bearing assembly, an inner member, and one or more seals between the bearing assembly and the inner member.

WO 2015/168429 A3



---

LV, MC, MK, MT, NL, NO, PL, PT, RO, RS, SE, SI, SK, (88) Date of publication of the international search report:  
SM, TR), OAPI (BF, BJ, CF, CG, CI, CM, GA, GN, GQ, 28 January 2016  
GW, KM, ML, MR, NE, SN, TD, TG).

**Published:**

— with international search report (Art. 21(3))

INTERNATIONAL SEARCH REPORT

International application No  
PCT/US2015/028555

A. CLASSIFICATION OF SUBJECT MATTER  
INV. E21B33/08 E21B33/06  
ADD.  
According to International Patent Classification (IPC) or to both national classification and IPC

B. FIELDS SEARCHED  
Minimum documentation searched (classification system followed by classification symbols)  
E21B  
Documentation searched other than minimum documentation to the extent that such documents are included in the fields searched

Electronic data base consulted during the international search (name of data base and, where practicable, search terms used)  
EPO-Internal, WPI Data

| C. DOCUMENTS CONSIDERED TO BE RELEVANT |   |                                   |
|--|---|-----------------------------------|
| Category*                              | Citation of document, with indication, where appropriate, of the relevant passages  | Relevant to claim No.             |
| X                                      | US 2006/144622 A1 (BAILEY THOMAS F [US] ET AL) 6 July 2006 (2006-07-06)   | 1-7,<br>10-12,<br>15-17,<br>19,20 |
| A                                      | paragraphs [0073] - [0079]<br>paragraphs [0081] - [0082]<br>paragraph [0085]<br>paragraphs [0097] - [0103]<br>figures 1-6, 9, 11, 13, 14, 15<br>----- | 8,9,13,<br>14,18                  |
| X                                      | US 2013/206386 A1 (BAILEY THOMAS F [US] ET AL) 15 August 2013 (2013-08-15)  | 11,12                             |
| A                                      | paragraph [0062] - paragraph [0063]<br>figures 7A, 10<br>-----  | 1-10,<br>13-20                    |
| A                                      | US 5 251 869 A (MASON BENNY M [US])<br>12 October 1993 (1993-10-12)<br>column 10, line 6 - line 42<br>figures 1-5<br>-----                            | 1-20                              |

Further documents are listed in the continuation of Box C.

See patent family annex.

\* Special categories of cited documents :

- "A" document defining the general state of the art which is not considered to be of particular relevance
- "E" earlier application or patent but published on or after the international filing date
- "L" document which may throw doubts on priority claim(s) or which is cited to establish the publication date of another citation or other special reason (as specified)
- "O" document referring to an oral disclosure, use, exhibition or other means
- "P" document published prior to the international filing date but later than the priority date claimed

- "T" later document published after the international filing date or priority date and not in conflict with the application but cited to understand the principle or theory underlying the invention
- "X" document of particular relevance; the claimed invention cannot be considered novel or cannot be considered to involve an inventive step when the document is taken alone
- "Y" document of particular relevance; the claimed invention cannot be considered to involve an inventive step when the document is combined with one or more other such documents, such combination being obvious to a person skilled in the art
- "&" document member of the same patent family

|  |  |
|--|--|
| Date of the actual completion of the international search<br><br>16 October 2015 | Date of mailing of the international search report<br><br>28/10/2015 |
|--|--|

|  |  |
|--|--|
| Name and mailing address of the ISA/<br>European Patent Office, P.B. 5818 Patentlaan 2<br>NL - 2280 HV Rijswijk<br>Tel. (+31-70) 340-2040,<br>Fax: (+31-70) 340-3016 | Authorized officer<br><br>Kecman, Ivan |
|--|--|

# INTERNATIONAL SEARCH REPORT

Information on patent family members

|   |
|---|
| International application No<br>PCT/US2015/028555 |
|---|

| Patent document cited in search report | Publication date | Patent family member(s) | Publication date |            |
|--|------------------|-------------------------|------------------|------------|
| US 2006144622                          | A1               | 06-07-2006              | CA 2580177 A1    | 02-09-2007 |
|  |                  |                         | CA 2729427 A1    | 02-09-2007 |
|  |                  |                         | CA 2756090 A1    | 02-09-2007 |
|  |                  |                         | CA 2756093 A1    | 02-09-2007 |
|  |                  |                         | EP 1830034 A2    | 05-09-2007 |
|  |                  |                         | EP 2631419 A1    | 28-08-2013 |
|  |                  |                         | EP 2636841 A1    | 11-09-2013 |
|  |                  |                         | EP 2639400 A1    | 18-09-2013 |
|  |                  |                         | US 2006144622 A1 | 06-07-2006 |
|  |                  |                         | US 2011036629 A1 | 17-02-2011 |
|  |                  |                         | US 2011168382 A1 | 14-07-2011 |
|  |                  |                         | US 2012138366 A1 | 07-06-2012 |
|  |                  |                         | US 2013192896 A1 | 01-08-2013 |
|  |                  |                         |                  |            |
| US 2013206386                          | A1               | 15-08-2013              | AT 513978 T      | 15-07-2011 |
|  |                  |                         | AU 2008234631 A1 | 09-10-2008 |
|  |                  |                         | CA 2682663 A1    | 09-10-2008 |
|  |                  |                         | EP 2150680 A2    | 10-02-2010 |
|  |                  |                         | EP 2369128 A1    | 28-09-2011 |
|  |                  |                         | US 2008210471 A1 | 04-09-2008 |
|  |                  |                         | US 2011168392 A1 | 14-07-2011 |
|  |                  |                         | US 2013206386 A1 | 15-08-2013 |
|  |                  |                         | US 2014166273 A1 | 19-06-2014 |
|  |                  |                         | US 2015136407 A1 | 21-05-2015 |
|  |                  |                         | WO 2008120025 A2 | 09-10-2008 |
|  |                  |                         |                  |            |
| US 5251869                             | A                | 12-10-1993              | NONE             |            |
|  |                  |                         |                  |            |